

LTC6990/LTC4124 10mA Wireless Li-Ion Charger 10mA Demonstration Kit

DESCRIPTION

DC2769A-A-KIT is a kit of the DC2771A-A transmitter board, featuring [LTC®6990](#), the DC2775A-A, featuring [LTC4124](#), and the DC2774A application-sized receiver board featuring LTC4124. The DC2775A-A receiver can

charge a single Li-Ion battery at up to 10mA with an air gap of 0.5mm between the transmit and receive coils.

[Design files for this circuit board kit are available.](#)

All registered trademarks and trademarks are the property of their respective owners.

KIT CONTENTS

- 1 × DC2771A-A (LTC6990) Transmitter Demo Board
- 1 × DC2775A-A (LTC4124) Receiver Demo Board
- 2 × DC2774A (LTC4124) Application-Sized Receiver Demo Board

PERFORMANCE SUMMARY

Specifications are at $T_A = 25^\circ\text{C}$

SYMBOL	PARAMETER	CONDITIONS	MIN	TYP	MAX	UNITS
V_{IN}	DC2771A-A Voltage Input	$I_{VIN} \leq 100\text{mA}$	4.5		5.5	V
I_{IN}	DC2771A-A V_{IN} Current	$V_{IN} = 5\text{V}$			100	mA
V_{BAT}	DC2775A Battery Charge Voltage	$V_{SEL1} = V_{CC}, V_{SEL2} = \text{GND}$		4.2		V
V_{BAT}	DC2775A-A Battery Charge Voltage	$V_{SEL1} = \text{HI}, V_{SEL2} = \text{HI}$		4.35		V
		$V_{SEL1} = \text{HI}, V_{SEL2} = \text{LO}$		4.2		V
		$V_{SEL1} = \text{LO}, V_{SEL2} = \text{HI}$		4.1		V
		$V_{SEL1} = \text{LO}, V_{SEL2} = \text{LO}$		4.0		V
I_{BAT}	DC2775A-A Charge Current	$V_{BAT} = 4.0\text{V}, I_{SEL1} = I_{SEL2} = \text{GND}$		10		mA
Air-Gap	Separation Between L_{TX} and L_{RX}		0	0.5	0.75	mm
f_{DRIVE}	DC2771A-A Drive Frequency			1		MHz
f_{TX_TANK}	DC2771A-A Resonant Tank Frequency			1.4		MHz
f_{RX_TANK}	DC2775A-A Resonant Tank Frequency			1		MHz

BOARD PHOTO



Figure 1. DC2771A-A Picture

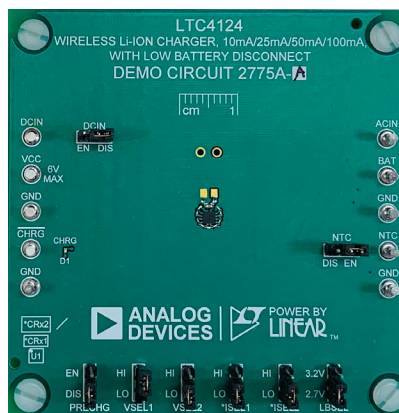


Figure 2. DC2775A-A Picture



Figure 3. DC2774A Picture

QUICK START PROCEDURE

Refer to Figure 5 to 8 for the proper measurement equipment setup, DC2775A-A mounting on DC2771A-A, and follow the procedure below:

NOTE. When measuring the input or output voltage ripple, care must be taken to avoid a long ground lead on the oscilloscope probe. Measure the input or output voltage ripple by touching the probe tip directly across the signal and GND terminals. See Figure 9 for proper scope probe technique.

1. Plug a Micro-USB cable into DC2771A-A.J1 connector, with the other end of the cable connected to a computer USB port or a 5V USB power adapter. The demo may also be powered by a 5V supply PS2 connecting between V_{IN} and GND turrets (Figure 6).
2. The default battery charge voltage is 4.2V and the charging current is 10mA. Battery charge voltage, charge current, pre-charge feature and low battery disconnect voltage can be programmed by jumpers on the DC2775A-A board.
3. Connect a voltage source PS1 and a 200 Ω resistor RBAT1 between the BAT and GND turrets of DC2775A-A, respectively (Figure 5). PS1 and RBAT1 make up the battery emulator. Typical power supplies cannot sink current. By adding a resistor across the power supply inputs that draws more current than the maximum battery charging current, the power supply only sources current even when the battery charge current is at its maximum value.
4. Connect an ammeter AM1 between PS1 and the DC2775A-A BAT turret. Connect a voltmeter VM1 between DC2775A-A BAT and GND turrets.

5. Set PS1 = 3.7V. If PS2 is used instead of Micro-USB, set PS2 = 5V and turn on both power supplies simultaneously.
6. DC2771A-A.D1 LED should be turned on. DC2775A.D1 LED should start blinking intermittently. AM1 should be reading 10mA. If the AM1 meter reads much less than 10mA, read VM1 and check whether LTC4124 is in constant current mode (Figure 4).
7. Turn off PS1 and PS2 simultaneously. Remove DC2775A-A from DC2771A-A. Place two DC2774A boards on top DC2771A-A coil (Figure 8).
8. Turn on PS2. DC2774A.D1 LED should start blinking intermittently.
9. Turn off PS2 and remove DC2774A from DC2771A-A.

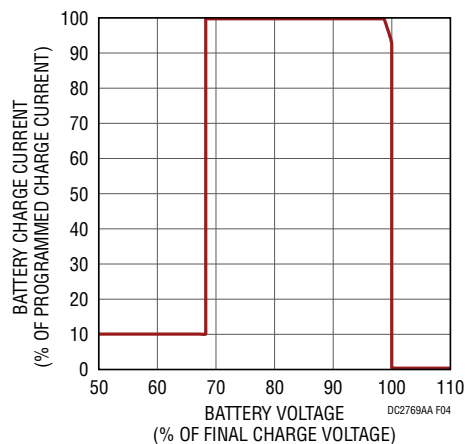


Figure 4. Battery Charge Current vs BAT Pin Voltage

QUICK START PROCEDURE

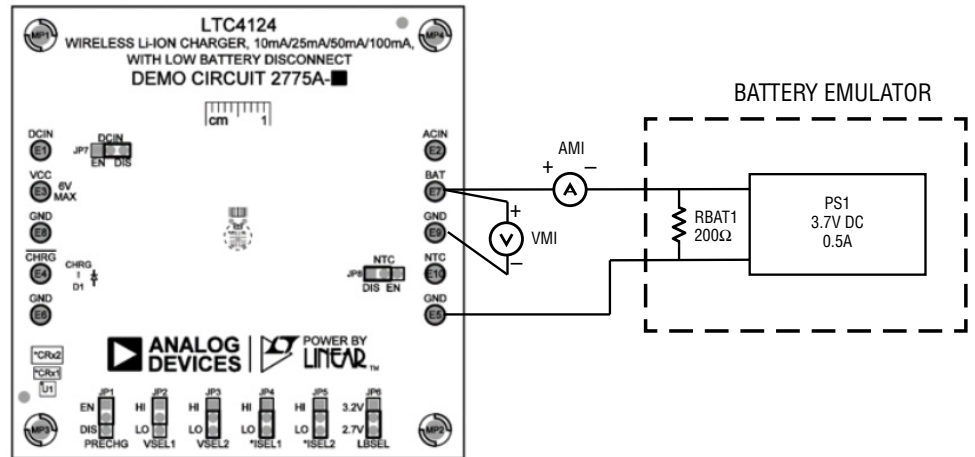


Figure 5. DC2775A-A Top

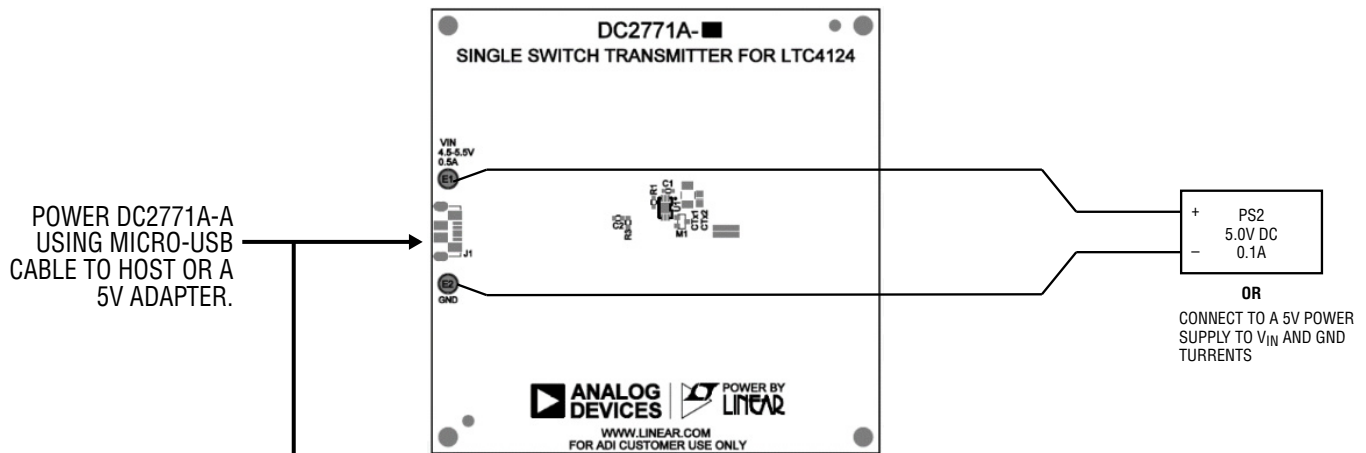


Figure 6. DC2771A-A Top



Figure 7. DC2775A-A on top of DC2771A-A

HARDWARE SETUP

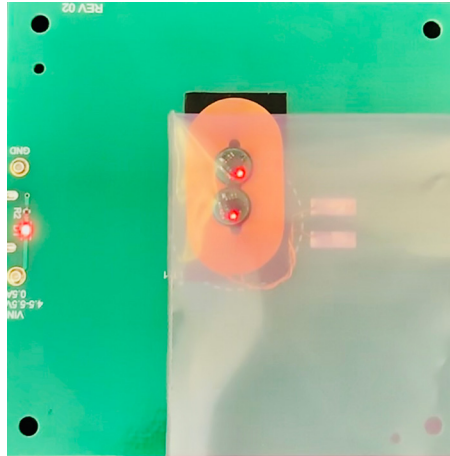


Figure 8. DC 2774A on top of DC2771A-A in Operation

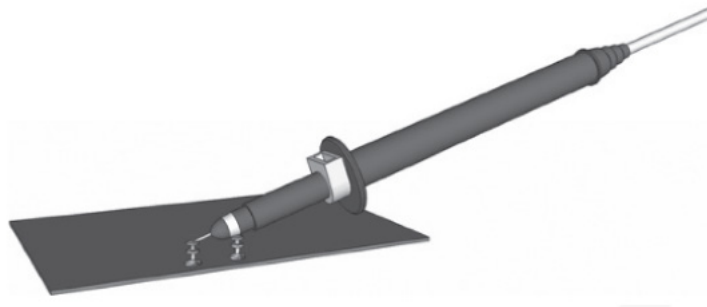


Figure 9. Measuring Input or Output Ripple

Note: All connections from equipment should be Kelvin connected directly to the board pins which they are connected on this diagram and any input or output leads should be twisted pair.

OPERATION

The DC2769A-A-KIT demonstrates operation of a magnetically coupled resonant Wireless Power Transfer (WPT) system. The LTC6990 based transmitter provides efficient wireless power for the LTC4124 receiver to charge the Li-Ion battery.

DC2771A-A – Wireless Power Transmitter Board Featuring the LTC6990

The DC2771A-A is a wireless power transmitter board using LTC6990 oscillator. The NMOS, M1 (see DC2771A-A schematic on Page 7), is driven by a 50% duty cycle square wave generated by the oscillator. During the first half of the cycle, M1 is switched on and the current through the LC resonant tank rises linearly. During the second half of the cycle, M1 is switched off and the current circulates through the LC resonant tank. If the transmit LC tank frequency is set to 1.29 times the driving frequency, which is 1MHz in this application, switching losses in M1 are significantly reduced due to the zero-voltage switching (ZVS). Figure 10 illustrates the ZVS operation in DC2771A-A. The peak voltage of the transmit resonant tank that appears at the drain of M1 is:

$$V_{IN} = 1.038 \cdot \pi \cdot V_{IN}$$

This equation is derived by performing voltage second balance equation on the resonant tank inductor.

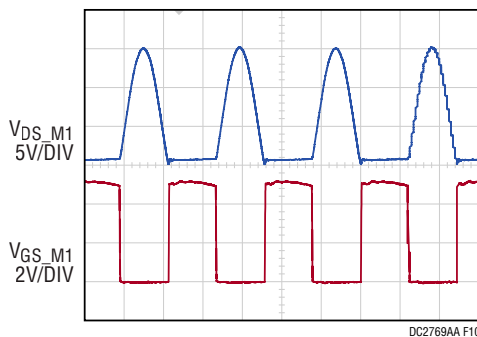


Figure 10. ZVS Operation on M1 when $f_{TX_TANK} = 1.29 \cdot f_{DRIVE}$

DC2775A-A – Wireless Power Receiver Board Featuring the LTC4124

The DC2775A-A demo board implements a parallel resonant LC circuit that connects the LTC4124 between ACIN and GND pins. The AC waveform on the resonant circuit is rectified by the internal wireless power managing circuitry to DC voltage on V_{CC} pin. This DC source is then fed into the internal linear battery charger to charge a Li-Ion battery.

As shown in Figure 11, when the LTC4124 receives more energy than it needs to charge the battery, the wireless power manager in the IC keeps the input voltage to the IC, V_{CC}, low by shunting the receiver resonant tank to ground. In this way, the linear charger is highly efficient as its input is always kept just above the battery voltage, V_{BAT}. The resonant tank also receives less power when the shunting circuit is engaged, as the resonant frequency is detuned from the transmitter frequency.

The LTC4124 includes a full featured CC/CV (Constant Current/Constant Voltage) linear battery charger with trickle current pre-charge, safety timer termination, bad battery detection, temperature qualified safe charging and automatic recharge. The maximum charge current supported by DC2775A-A is 10mA and the charge voltage is programmable by VSEL_X jumpers.

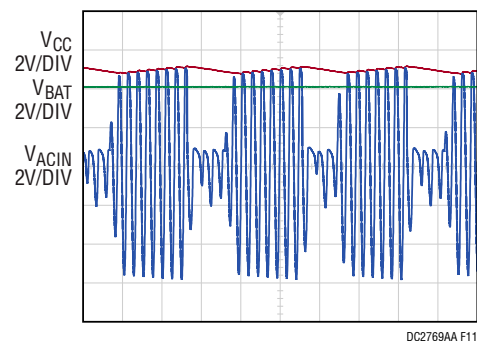


Figure 11. Rectification of AC Input and Regulation of V_{CC}

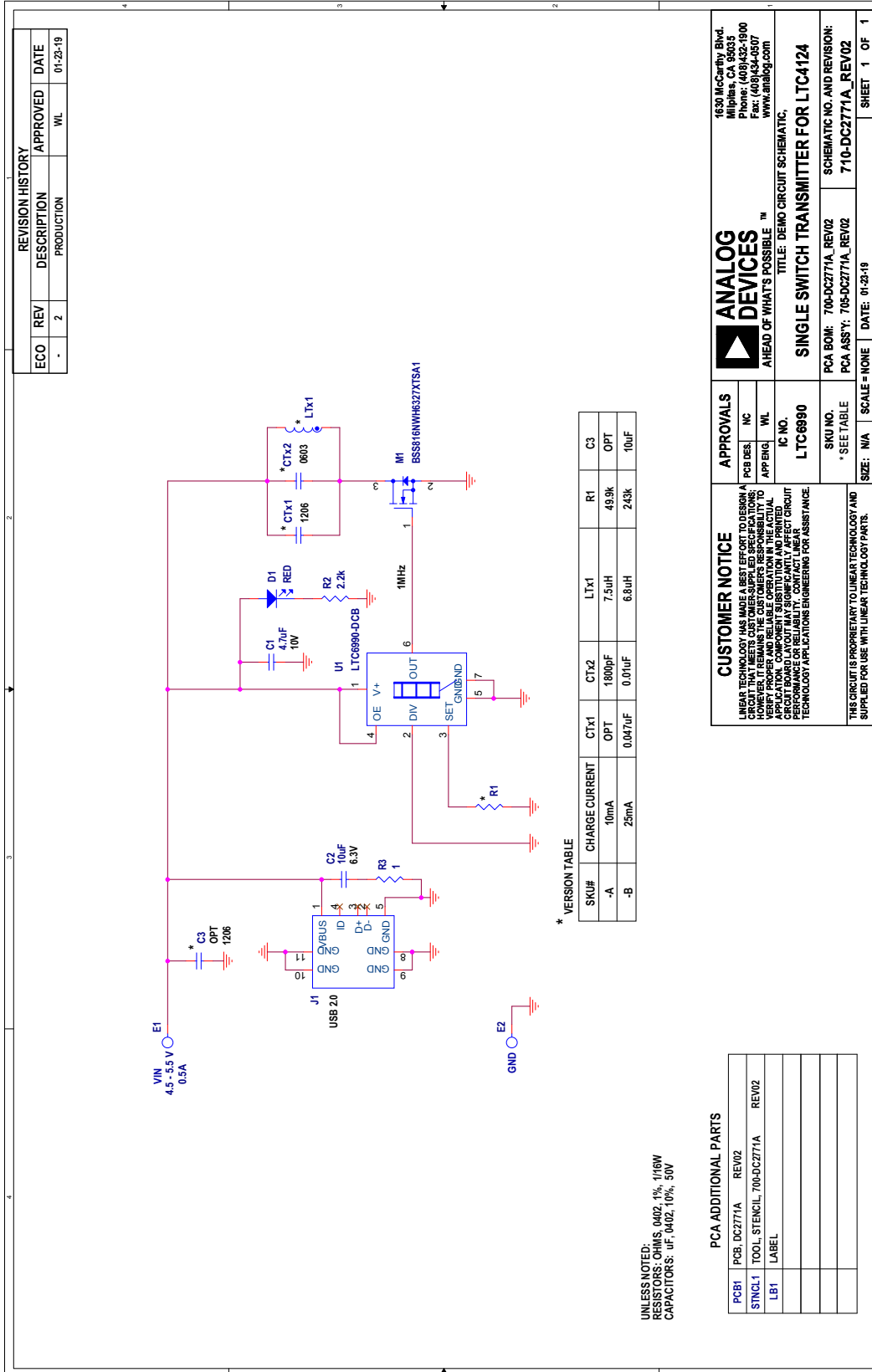
DEMO MANUAL

DC2769A-A-KIT

PARTS LIST

ITEM	QTY	REFERENCE	PART DESCRIPTION	MANUFACTURER/PART NUMBER
DC2771A-A: Required Circuit Components				
1	1	C1	CAP., 4.7 μ F, X5R, 10V, 10%, 0402	TDK, C1005X5R1A475K050BC
2	1	C2	CAP., 10 μ F, X5R, 6.3V, 20%, 0402	MURATA, GRJ155R60J106ME11D
3	1	CTx2	CAP., 1800pF, COG, 50V, 5%, 0603	MURATA, GRM1885C1H182JA01D
4	1	LTx1	IND., 7.5 μ H, WIRELESS CHRG. COIL RX. Qi, 10%, 1.55A, 380m Ω , 2815, 1 COIL, 1 LAYER	WURTH ELEKTRONIK, 760308103206
5	1	M1	XSTR., MOSFET, N-CH, 20V, 1.4A, SOT-323, AEC-Q200	INFINEON, BSS816NWH6327XTSA1
6	1	R1	RES., 49.9k, 1%, 1/16W, 0402, AEC-Q200	NIC, NRC04F4992TRF
7	1	R2	RES., 2.2k, 5%, 1/16W, 0402, AEC-Q200	VISHAY, CRCW04022K20JNED
8	1	R3	RES., 1 Ω , 1%, 1/16W, 0402, \pm 100ppm, AEC-Q200	VISHAY, CRCW04021R00FKED
9	1	U1	OSCILLATOR, TIMERBLOX: VCO, 5pF, 90ppm, DFN-5	ANALOG DEVICES, INC., LTC6990CDCB#PBF
Additional Demo Board Circuit Components				
1	1	D1	LED, RED, WATER-CLEAR, 0603	LITE-ON, LTST-C193KRKT-5A
Hardware: For Demo Board Only				
1	2	E1, E2	TEST POINT, TURRET, 0.064" MTG. HOLE, PCB 0.062" THICK	MILL-MAX, 2308-2-00-80-00-00-07-0
2	1	J1	CONN., μ USB 2.0, RCPT., 5 PINS, 1 PORT, REVERSE MOUNT, R/A HORZ., TYPE B, FLANGELESS	TE CONNECTIVITY, 1932788-1
DC2775A-A: Required Circuit Components				
1	1	CRx1	CAP., 3300pF, X7R, 50V, 10%, 0402	AVX, 04025C332KAT2A
2	1	LRx1	IND., 7.2 μ H, WIRELESS CHRG. COIL RX., \pm 10%, 500mA, 440m Ω , 6mm \times 2mm, 1 COIL, 1 LAYER	WURTH ELEKTRONIK, 760308101216
3	1	U1	IC, 100mA WIRELESS LI-ION CHARGER WITH LOW BATTERY DISCONNECT, LQFN-12	ANALOG DEVICES, INC., LTC4124EV#PBF
Additional Circuit Components				
1	1	D1	LED, RED, WATER CLEAR, 0201	KINGBRIGHT, APG0603SEC-E-TT
2	1	Z1	DIODE, ZENER, 3.3V, 100mW, 0201	COMCHIP, CZRZ3V3B-HF
DC2775A-A: Required Circuit Components				
1	1	CRx1	CAP., 3300pF, X7R, 50V, 10%, 0402	AVX, 04025C332KAT2A
2	1	LRx1	IND., 7.2 μ H, WIRELESS CHRG. COIL RX., \pm 10%, 500mA, 440m Ω , 6mm \times 2mm, 1 COIL, 1 LAYER	WURTH ELEKTRONIK, 760308101216
3	1	RT1	RES., 100k, 1%, 0201, NTC THERMISTOR	TDK, NTCG064EF104FTBX
4	1	U1	IC, 100mA WIRELESS LI-ION CHARGER WITH LOW BATTERY DISCONNECT, LQFN-12	ANALOG DEVICES, INC., LTC4124EV#PBF
Additional Circuit Components				
1	1	D1	LED, RED, WATER-CLEAR, 0603	LITE-ON, LTST-C193KRKT-5A
2	1	R2	RES., 0 Ω , 5%, 1/16W, 0402	ROHM, MCR01MZPJ000
Hardware: For Demo Board Only				
1	10	E1-E10	TEST POINT, TURRET, 0.064" MTG. HOLE, PCB 0.062" THICK	MILL-MAX, 2308-2-00-80-00-00-07-0
2	8	JP1-JP8	CONN., HDR, MALE, 1 \times 3, 2mm, VERT, STR, THT	WURTH ELEKTRONIK, 62000311121
3	8	XJP1-XJP8	CONN., SHUNT, FEMALE, 2 POS, 2mm	WURTH ELEKTRONIK, 60800213421

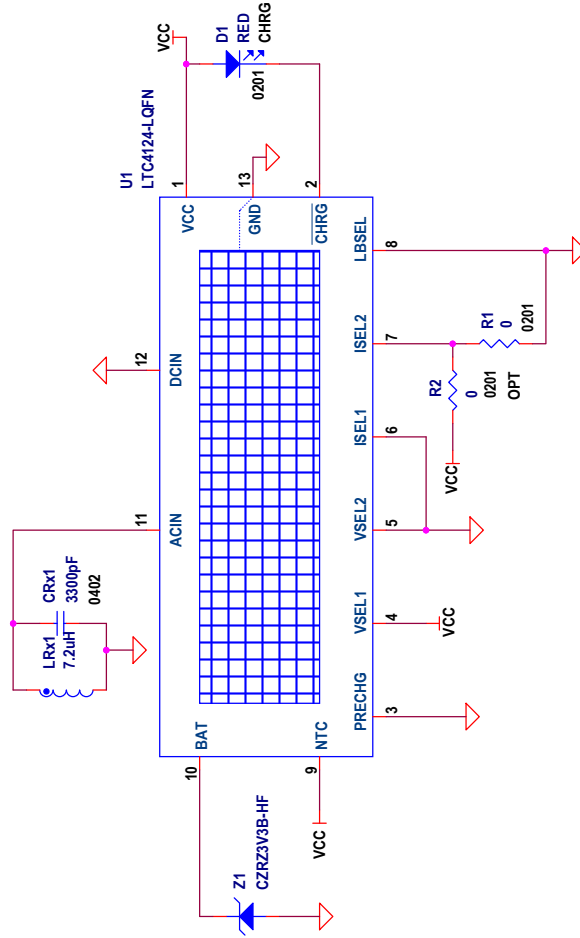
SCHEMATIC DIAGRAM



DEMO MANUAL DC2769A-A-KIT

SCHEMATIC DIAGRAM

REVISION HISTORY				
ECO	REV	DESCRIPTION	APPROVED	DATE
-	2	PRODUCTION	WL	04-15-19



UNLESS NOTED:
RESISTORS: OHMS, 0201, 1%, 1/20W
CAPACITORS: uF, 0201, 10%, 50V

4.2V BATTERY VOLTAGE
2.7V DISCONNECT BATTERY VOLTAGE

PCA ADDITIONAL PARTS

PCB1	PCB, DC2774A	REV02
STNCL1	TOOL, STENCIL, 700-DC2774A	REV02
LB1	LABEL	

APPROVALS

PCB DES.	NC
APP ENG.	WL
IC NO.	LTC4124
SKU NO.	700-DC2774A, REV02
PCA ASSY:	705-DC2774A, REV02
SIZE:	N/A
SCALE:	NONE
DATE:	04-15-19
SHEET	1 OF 1



1630 McCarty Blvd.
Milpitas, CA 95035
Phone: (408)432-1900
Fax: (408)434-0587
www.analog.com

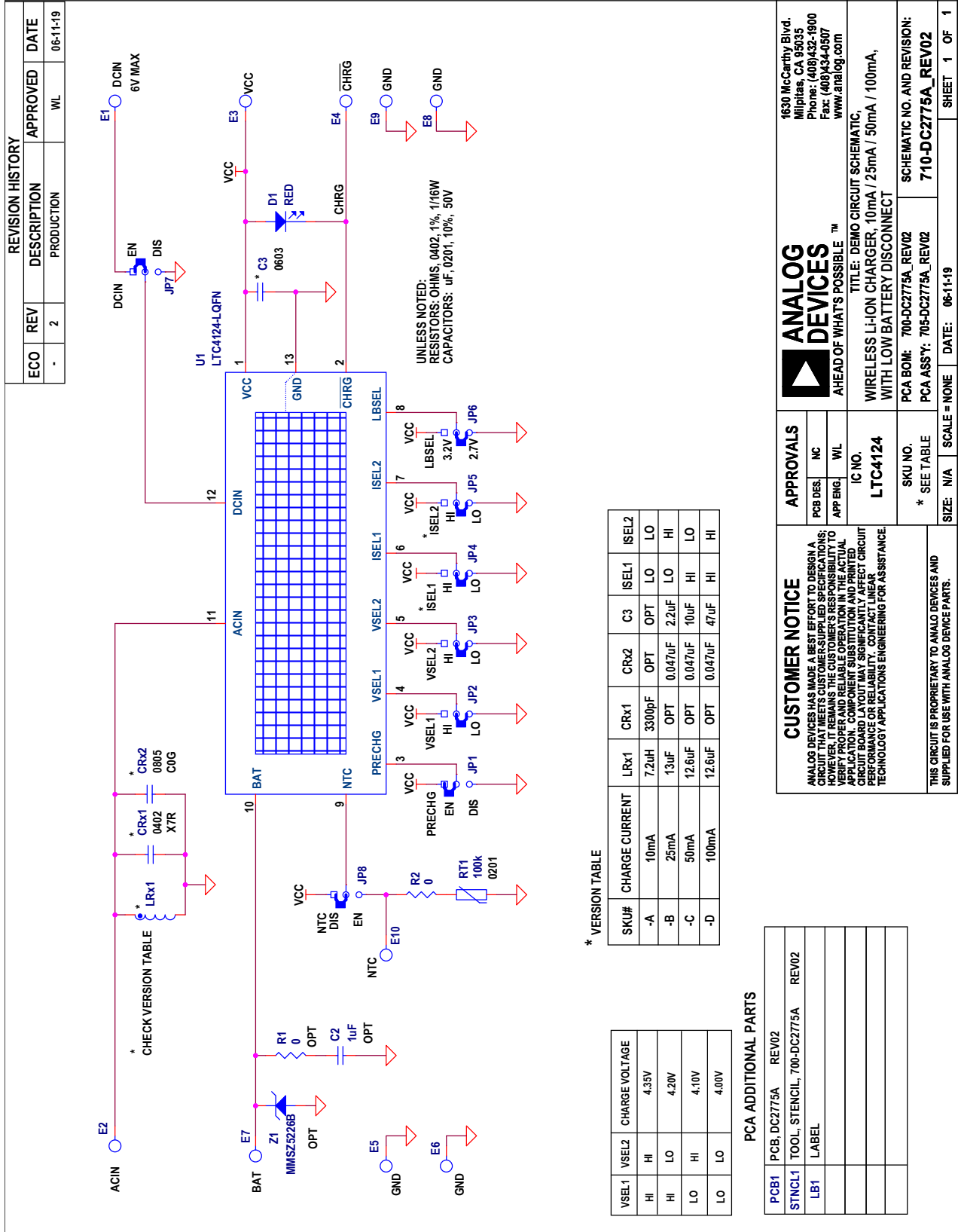
TITLE: DEMO CIRCUIT SCHEMATIC.
WIRELESS LI-ION CHARGER, 10mA, 1MHz Demo
WITH LOW BATTERY DISCONNECT

PCB BOM: 700-DC2774A, REV02
PCA ASSY: 705-DC2774A, REV02
SCHEMATIC NO. AND REVISION:
710-DC2774A, REV02

CUSTOMER NOTICE
ANALOG DEVICES HAS MADE A BEST EFFORT TO DESIGN A SCHEMATIC THAT IS FUNCTIONAL AND REPRODUCIBLE. HOWEVER, IT REMAINS THE CUSTOMER'S RESPONSIBILITY TO VERIFY PROPER AND RELIABLE OPERATION IN THE ACTUAL APPLICATION. COMPONENT SUBSTITUTION AND PRINTED CIRCUIT BOARD LAYOUT MAY SIGNIFICANTLY AFFECT CIRCUIT PERFORMANCE OR RELIABILITY. CONTACT LINEAR TECHNOLOGY APPLICATIONS ENGINEERING FOR ASSISTANCE.

THIS CIRCUIT IS PROPRIETARY TO ANALOG DEVICES AND SUPPLIED FOR USE WITH ANALOG DEVICE PARTS.

SCHEMATIC DIAGRAM





ESD Caution

ESD (electrostatic discharge) sensitive device. Charged devices and circuit boards can discharge without detection. Although this product features patented or proprietary protection circuitry, damage may occur on devices subjected to high energy ESD. Therefore, proper ESD precautions should be taken to avoid performance degradation or loss of functionality.

Legal Terms and Conditions

By using the evaluation board discussed herein (together with any tools, components documentation or support materials, the "Evaluation Board"), you are agreeing to be bound by the terms and conditions set forth below ("Agreement") unless you have purchased the Evaluation Board, in which case the Analog Devices Standard Terms and Conditions of Sale shall govern. Do not use the Evaluation Board until you have read and agreed to the Agreement. Your use of the Evaluation Board shall signify your acceptance of the Agreement. This Agreement is made by and between you ("Customer") and Analog Devices, Inc. ("ADI"), with its principal place of business at One Technology Way, Norwood, MA 02062, USA. Subject to the terms and conditions of the Agreement, ADI hereby grants to Customer a free, limited, personal, temporary, non-exclusive, non-sublicensable, non-transferable license to use the Evaluation Board FOR EVALUATION PURPOSES ONLY. Customer understands and agrees that the Evaluation Board is provided for the sole and exclusive purpose referenced above, and agrees not to use the Evaluation Board for any other purpose. Furthermore, the license granted is expressly made subject to the following additional limitations: Customer shall not (i) rent, lease, display, sell, transfer, assign, sublicense, or distribute the Evaluation Board; and (ii) permit any Third Party to access the Evaluation Board. As used herein, the term "Third Party" includes any entity other than ADI, Customer, their employees, affiliates and in-house consultants. The Evaluation Board is NOT sold to Customer; all rights not expressly granted herein, including ownership of the Evaluation Board, are reserved by ADI. CONFIDENTIALITY. This Agreement and the Evaluation Board shall all be considered the confidential and proprietary information of ADI. Customer may not disclose or transfer any portion of the Evaluation Board to any other party for any reason. Upon discontinuation of use of the Evaluation Board or termination of this Agreement, Customer agrees to promptly return the Evaluation Board to ADI. ADDITIONAL RESTRICTIONS. Customer may not disassemble, decompile or reverse engineer chips on the Evaluation Board. Customer shall inform ADI of any occurred damages or any modifications or alterations it makes to the Evaluation Board, including but not limited to soldering or any other activity that affects the material content of the Evaluation Board. Modifications to the Evaluation Board must comply with applicable law, including but not limited to the RoHS Directive. TERMINATION. ADI may terminate this Agreement at any time upon giving written notice to Customer. Customer agrees to return to ADI the Evaluation Board at that time. LIMITATION OF LIABILITY. THE EVALUATION BOARD PROVIDED HEREUNDER IS PROVIDED "AS IS" AND ADI MAKES NO WARRANTIES OR REPRESENTATIONS OF ANY KIND WITH RESPECT TO IT. ADI SPECIFICALLY DISCLAIMS ANY REPRESENTATIONS, ENDORSEMENTS, GUARANTEES, OR WARRANTIES, EXPRESS OR IMPLIED, RELATED TO THE EVALUATION BOARD INCLUDING, BUT NOT LIMITED TO, THE IMPLIED WARRANTY OF MERCHANTABILITY, TITLE, FITNESS FOR A PARTICULAR PURPOSE OR NON-INFRINGEMENT OF INTELLECTUAL PROPERTY RIGHTS. IN NO EVENT WILL ADI AND ITS LICENSORS BE LIABLE FOR ANY INCIDENTAL, SPECIAL, INDIRECT, OR CONSEQUENTIAL DAMAGES RESULTING FROM CUSTOMER'S POSSESSION OR USE OF THE EVALUATION BOARD, INCLUDING BUT NOT LIMITED TO LOST PROFITS, DELAY COSTS, LABOR COSTS OR LOSS OF GOODWILL. ADI'S TOTAL LIABILITY FROM ANY AND ALL CAUSES SHALL BE LIMITED TO THE AMOUNT OF ONE HUNDRED US DOLLARS (\$100.00). EXPORT. Customer agrees that it will not directly or indirectly export the Evaluation Board to another country, and that it will comply with all applicable United States federal laws and regulations relating to exports. GOVERNING LAW. This Agreement shall be governed by and construed in accordance with the substantive laws of the Commonwealth of Massachusetts (excluding conflict of law rules). Any legal action regarding this Agreement will be heard in the state or federal courts having jurisdiction in Suffolk County, Massachusetts, and Customer hereby submits to the personal jurisdiction and venue of such courts. The United Nations Convention on Contracts for the International Sale of Goods shall not apply to this Agreement and is expressly disclaimed.