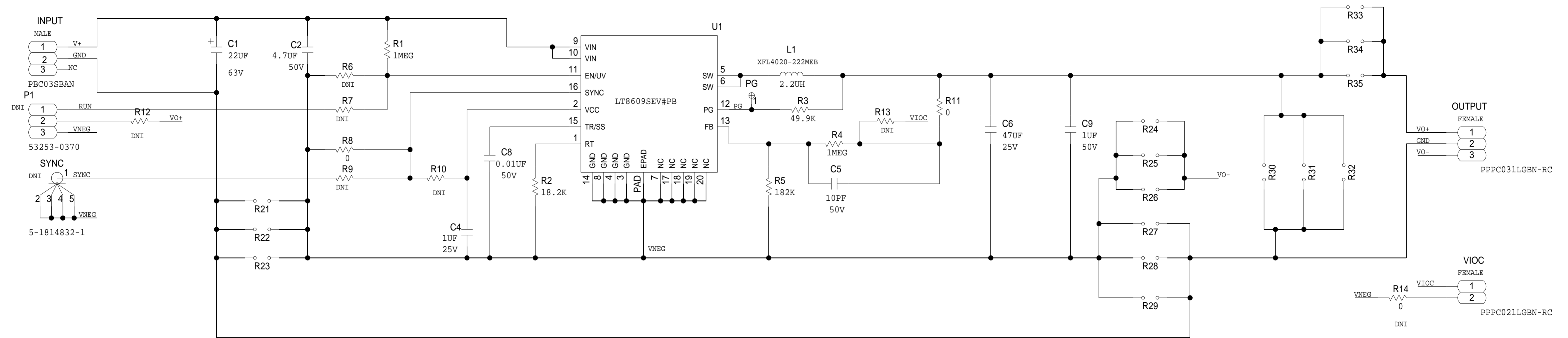


REVISIONS			
REV	DESCRIPTION	DATE	APPROVED

LT8609S INVERTING



	SCHEMATIC		
	HW TYPE : Evaluation Kit - Z Product(s): LT8609S : LT8609S		
	DESIGN VIEW <DESIGN_VIEW>	DRAWING NO. 02_051163	REV B
	PTD ENGINEER J. VIERNES	SIZE D	SCALE 1:1
		SHEET 2 OF 2	