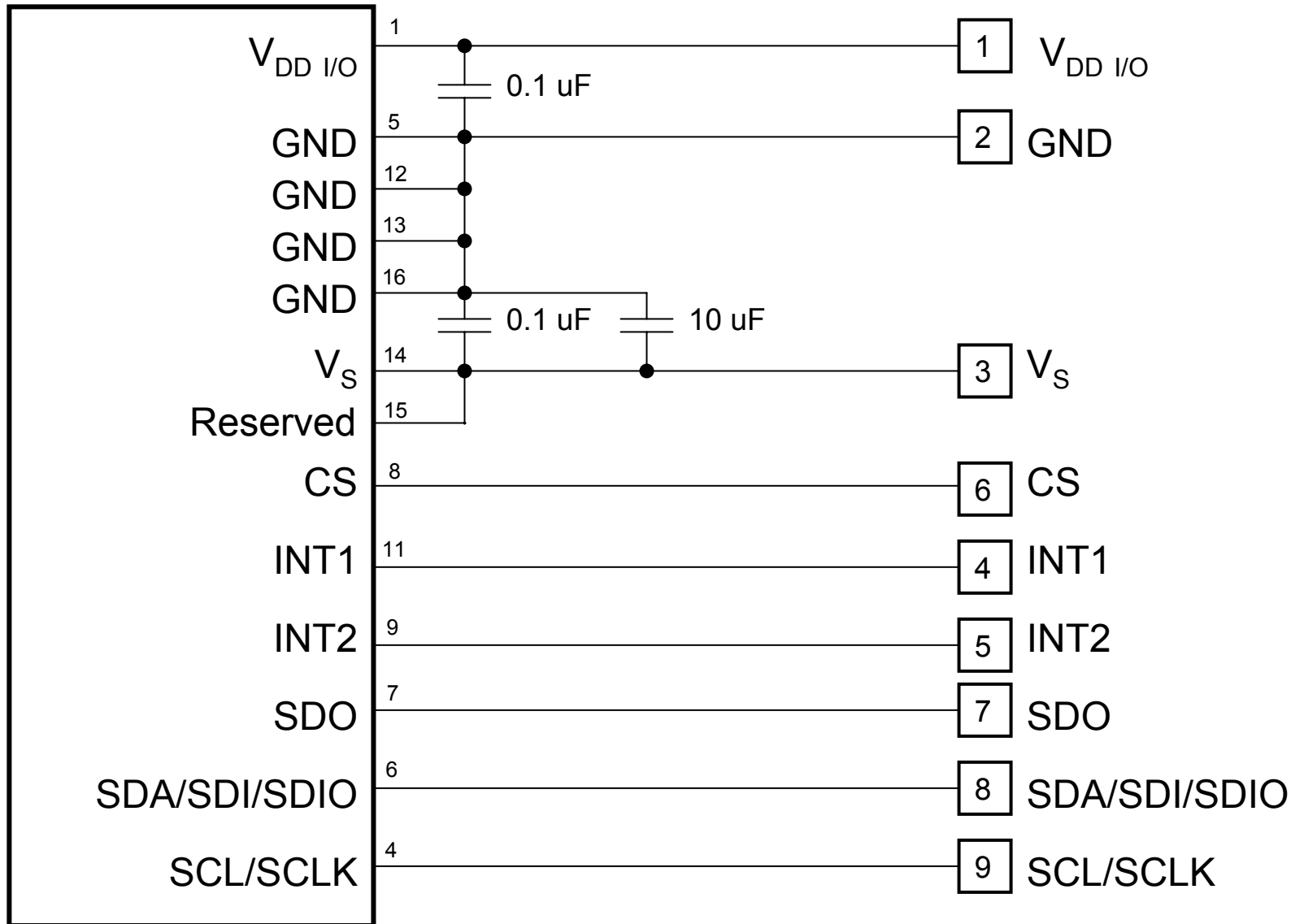
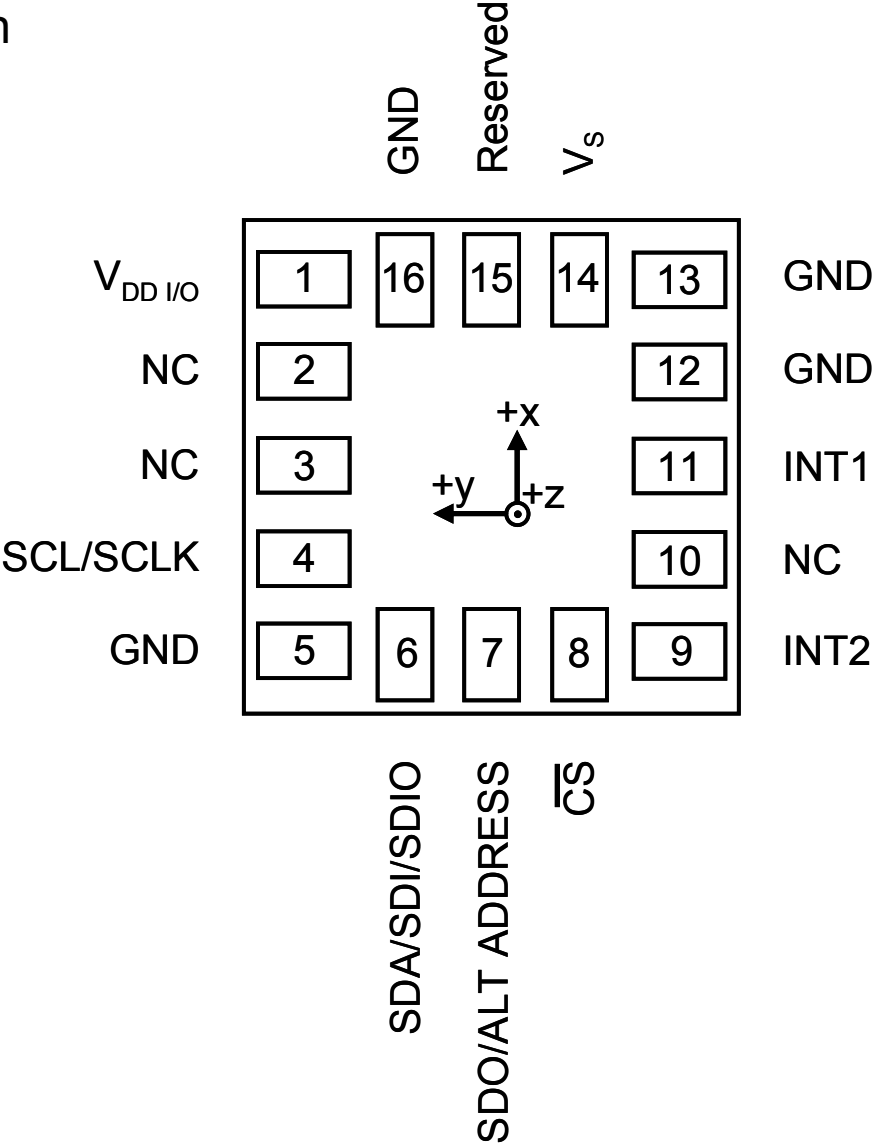


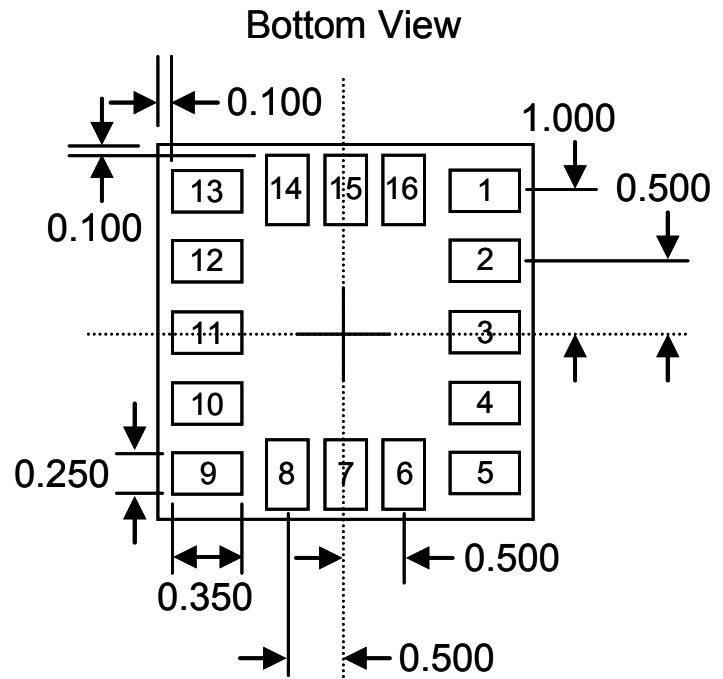
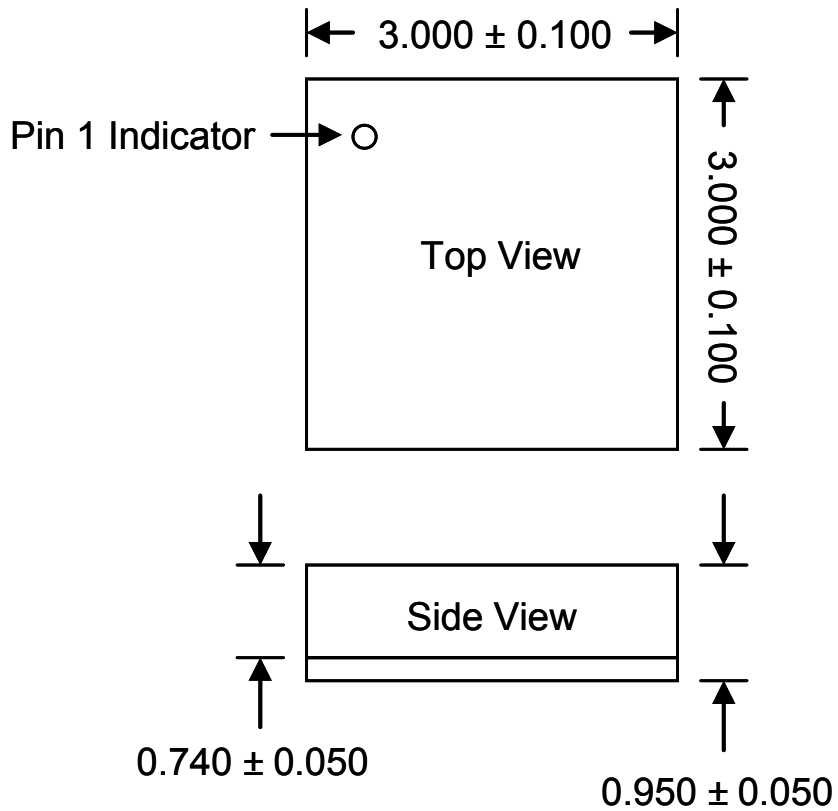
ADXL346



Pin Configuration



16-Pin No.	Mnemonic	Description
1	$V_{DD I/O}$	Digital Interface Supply Voltage
2	NC	Not Connected
3	NC	Not Connected
4	SCL/SCLK	Serial Communications Clock
5	GND	Must be connected to ground
6	SDA/SDI/SDIO	Serial Data (I^2C), Serial Data In (SPI 4-Wire), Serial Data In/Out (SPI 3-Wire)
7	SDO/ALT ADDRESS	Serial Data Out, Alternate I^2C Address Select
8	CS	Chip Select
9	INT2	Interrupt 2 Output
10	NC	Not Connected
11	INT1	Interrupt 1 Output
12	GND	Must be connected to ground
13	GND	Must be connected to ground
14	V_S	Supply Voltage
15	Reserved	Reserved, must be connected to V_S
16	GND	Must be connected to ground



PCB Footprint TOP VIEW

In mm

