

D

D

C

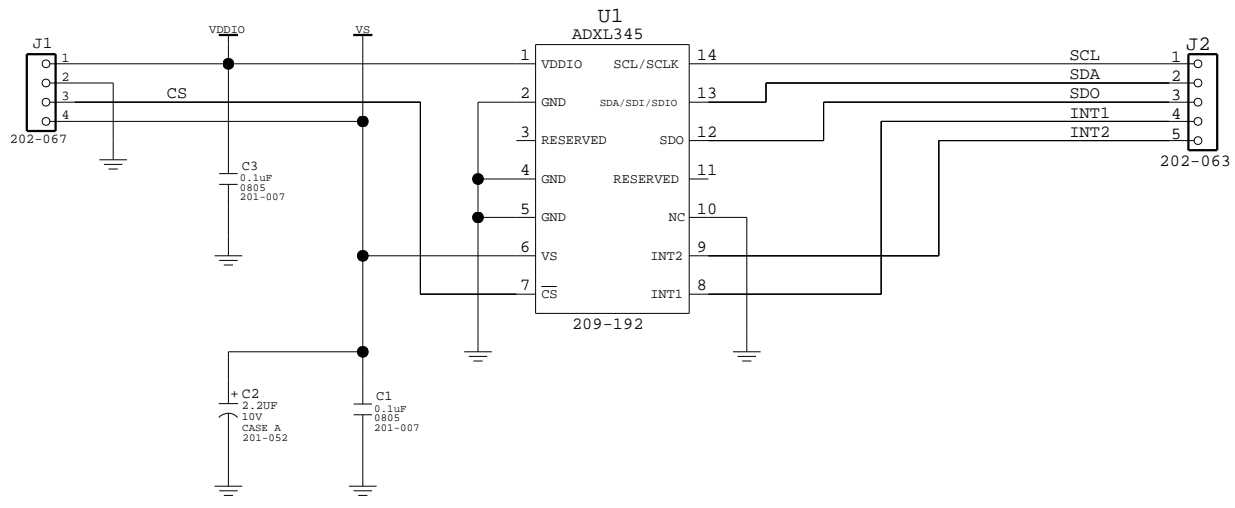
C

B

B

A

A



ANALOG DEVICES			
Title:		ADXL345EB	
Size	Code:	301_350	Rev:
A			
Date:	2013-03-28	Sheet:	1 of 1