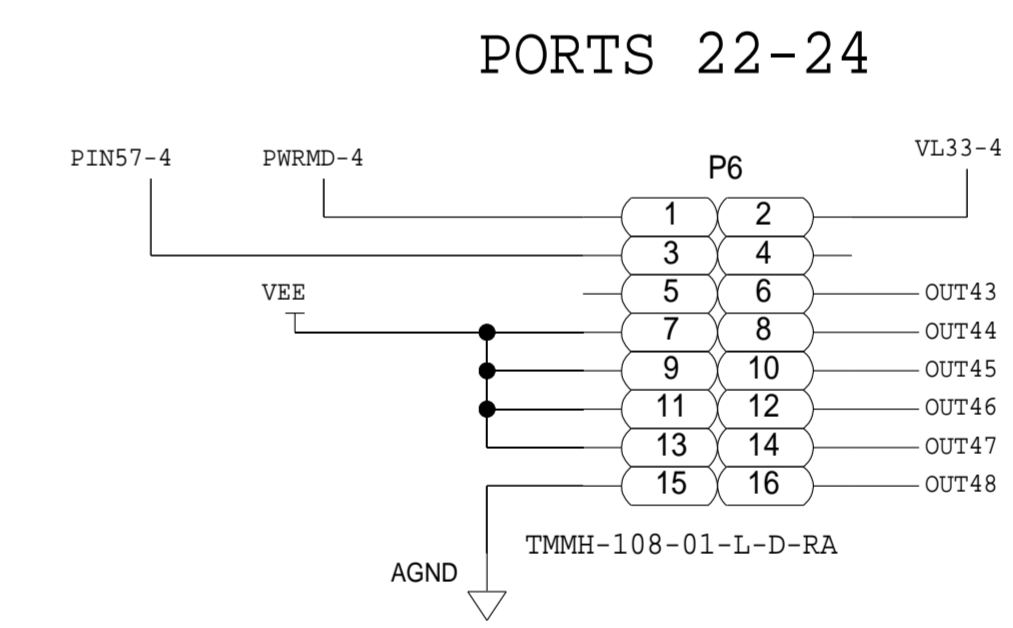
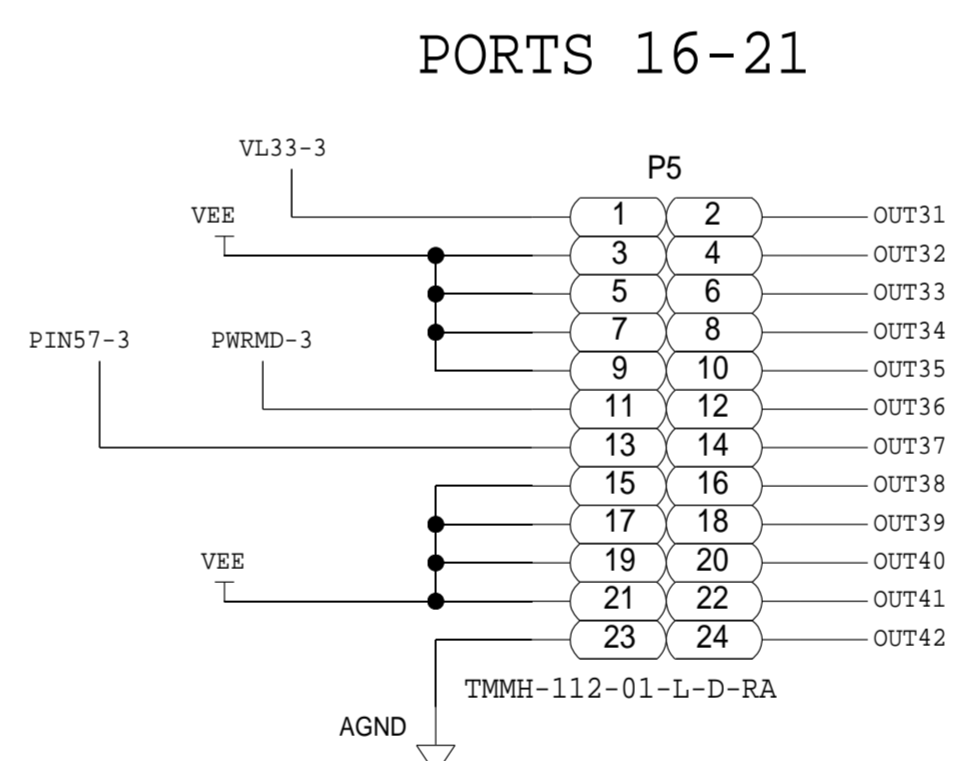
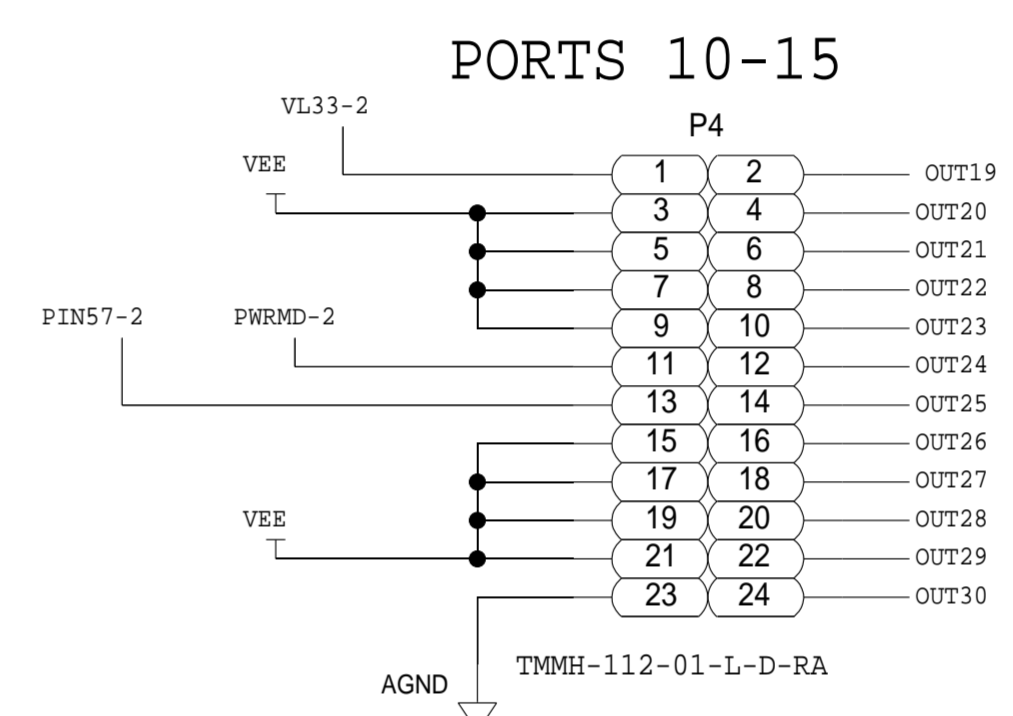
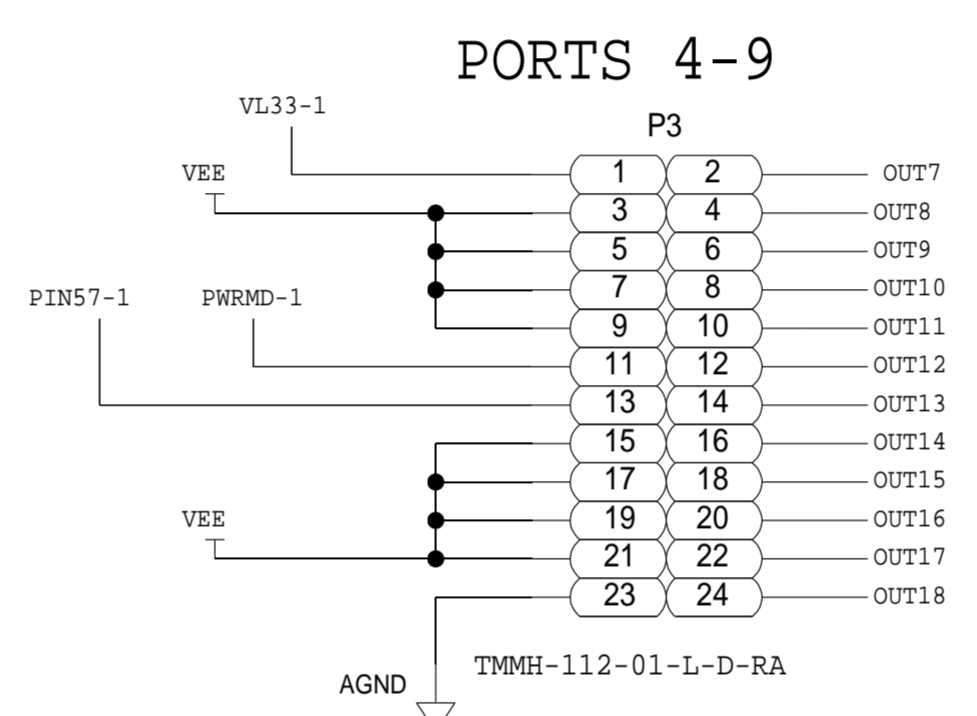
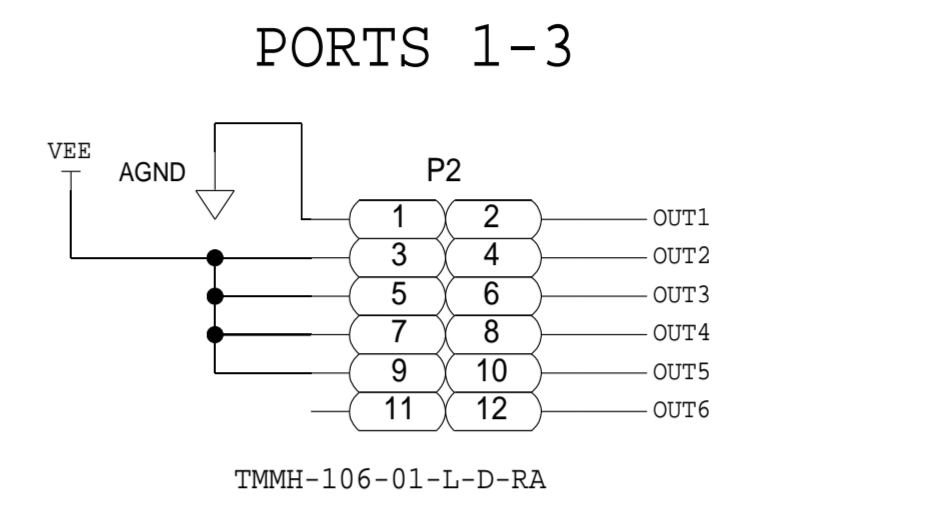
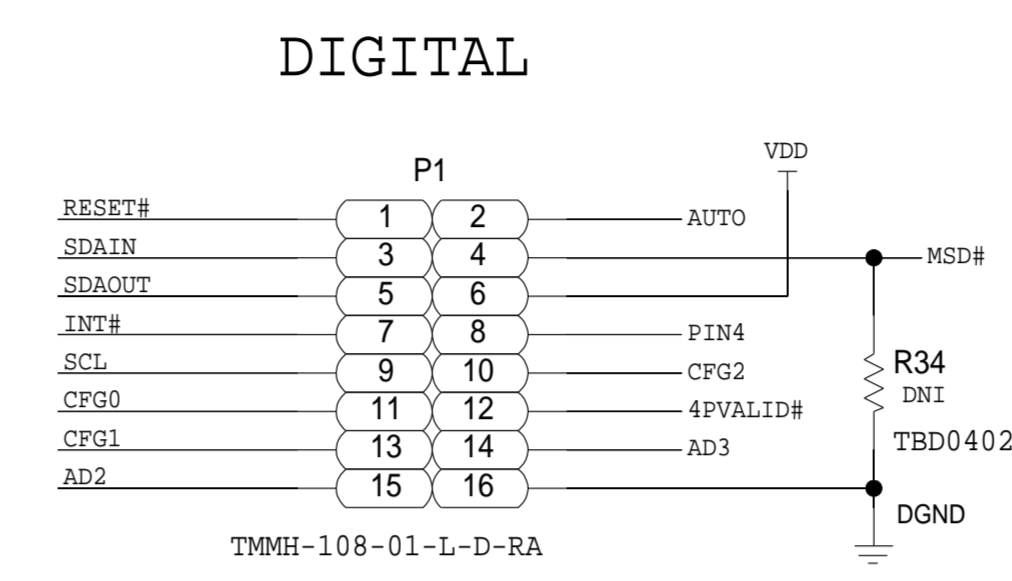
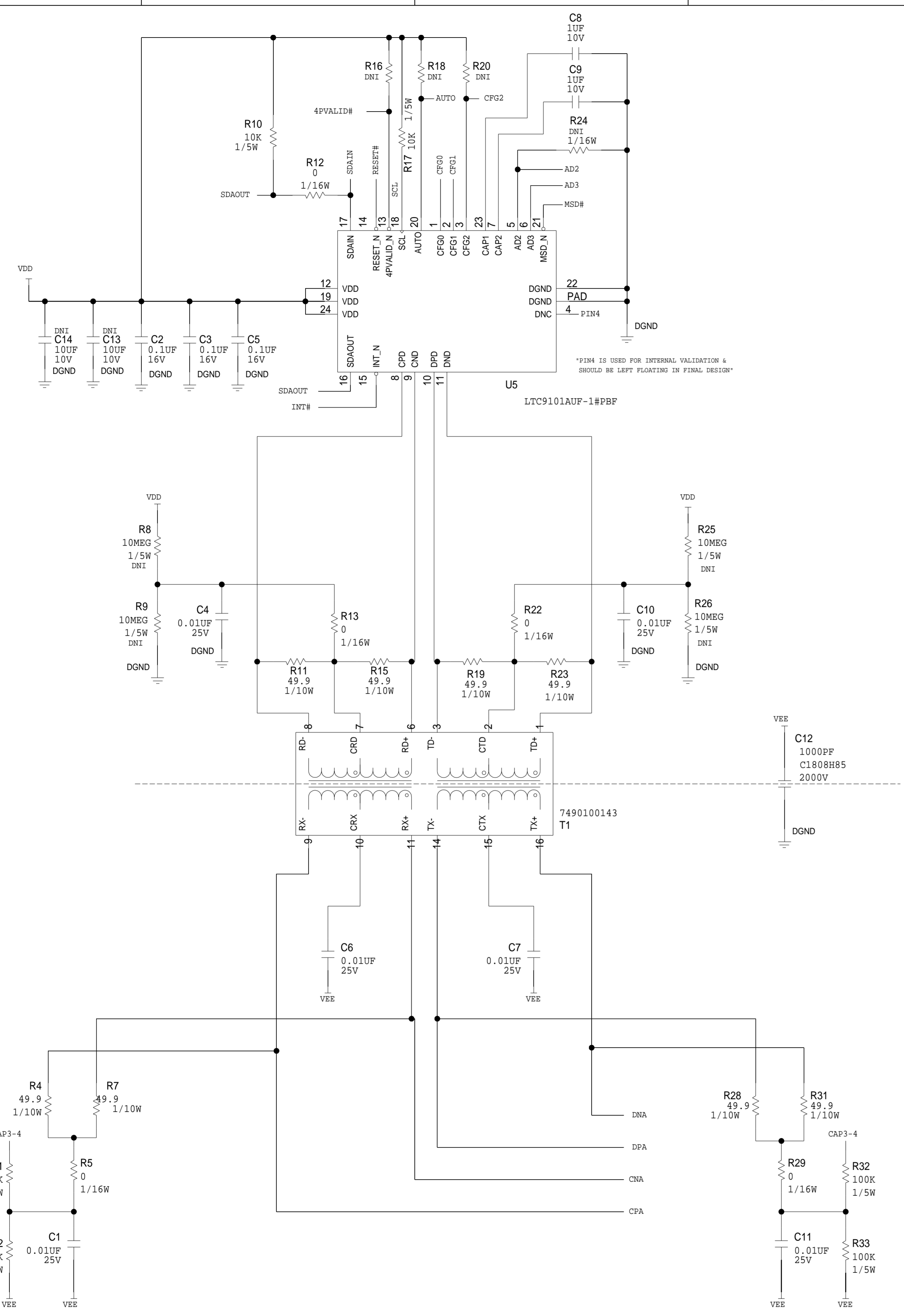


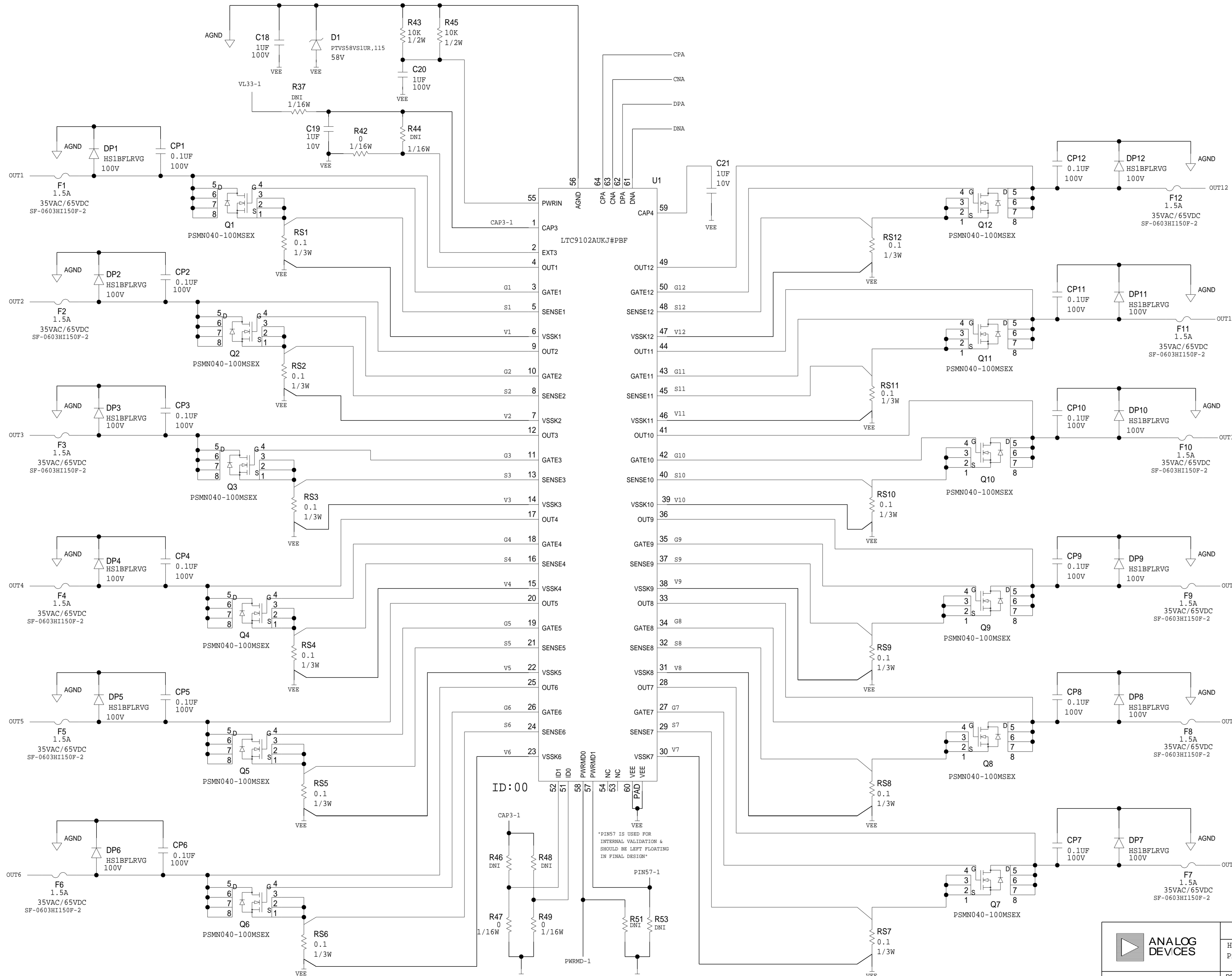
REVISIONS			
REV	DESCRIPTION	DATE	APPROVED



ANALOG DEVICES				SCHEMATIC			
HW TYPE : Customer Evaluation Z		DRAWING NO. 02_059470		REV D			
Product(s) : LTC9101-1/LTC9102		DESIGN VIEW <DESIGN_VIEW>		SCALE 1:1		SHEET 2 OF 6	
: ADI DEMO BOARD		PTD ENGINEER D. REYES		SIZE D			

THIS DRAWING IS THE PROPERTY OF ANALOG DEVICES INC. IT IS NOT TO BE REPRODUCED OR COPIED, IN WHOLE OR IN PART, OR USED IN ANY MANNER WITHOUT THE WRITTEN PERMISSION OF ANALOG DEVICES. THE EQUIPMENT SHOWN HEREIN MAY BE PROTECTED BY PATENTS OWNED OR CONTROLLED BY ANALOG DEVICES.

REVISIONS			
REV	DESCRIPTION	DATE	APPROVED



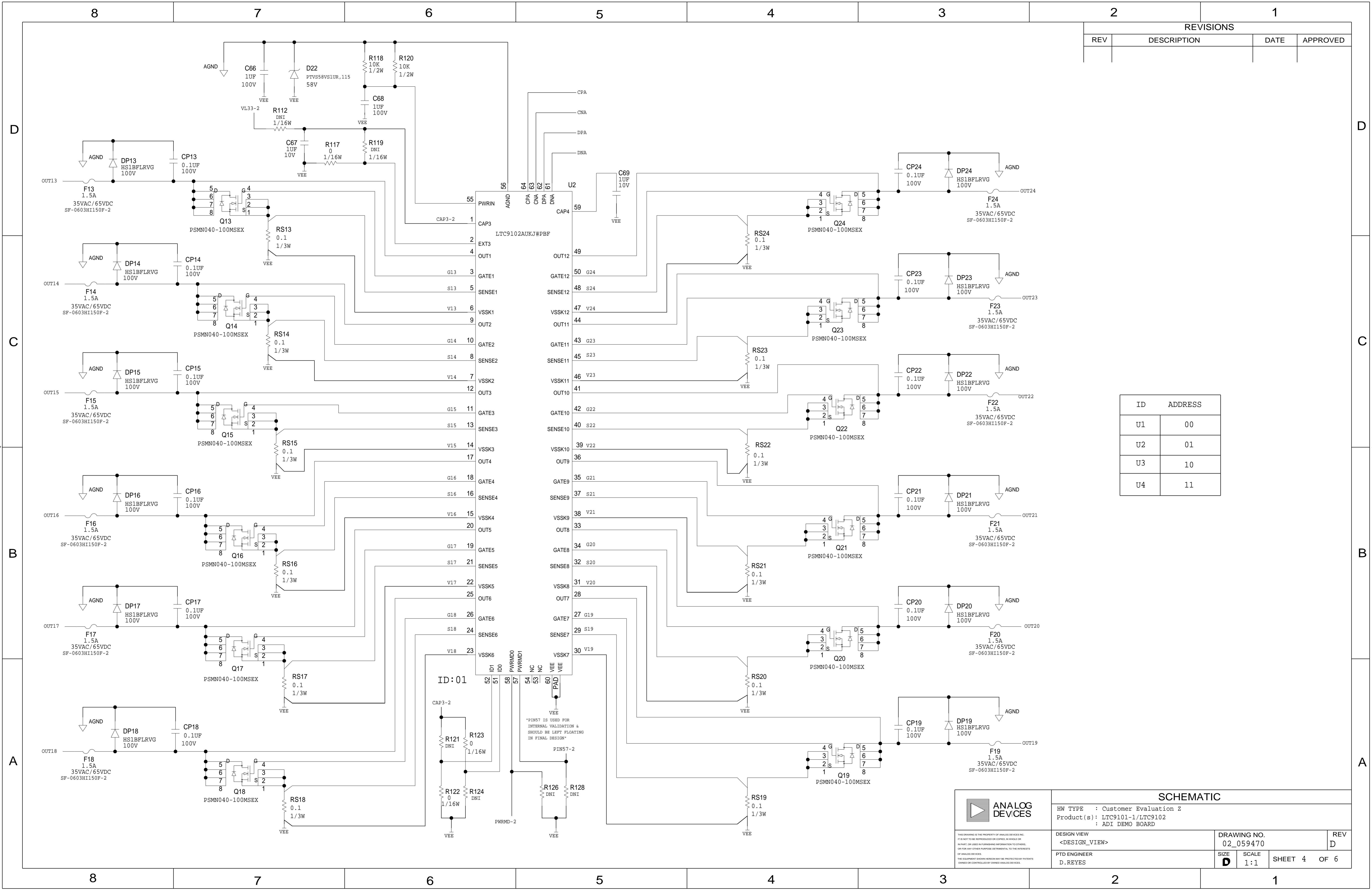
ID	ADDRESS
U1	00
U2	01
U3	10
U4	11

	SCHEMATIC		
	HW TYPE : Customer Evaluation Z Product(s) : LTC9101-1/LTC9102 : ADI DEMO BOARD		
DESIGN VIEW <DESIGN_VIEW>	DRAWING NO. 02_059470	REV D	
PTD ENGINEER D. REYES	SIZE D	SCALE 1:1	SHEET 3 OF 6

PINS7 IS USED FOR INTERNAL VALIDATION & SHOULD BE LEFT FLOATING IN FINAL DESIGN

ID: 00

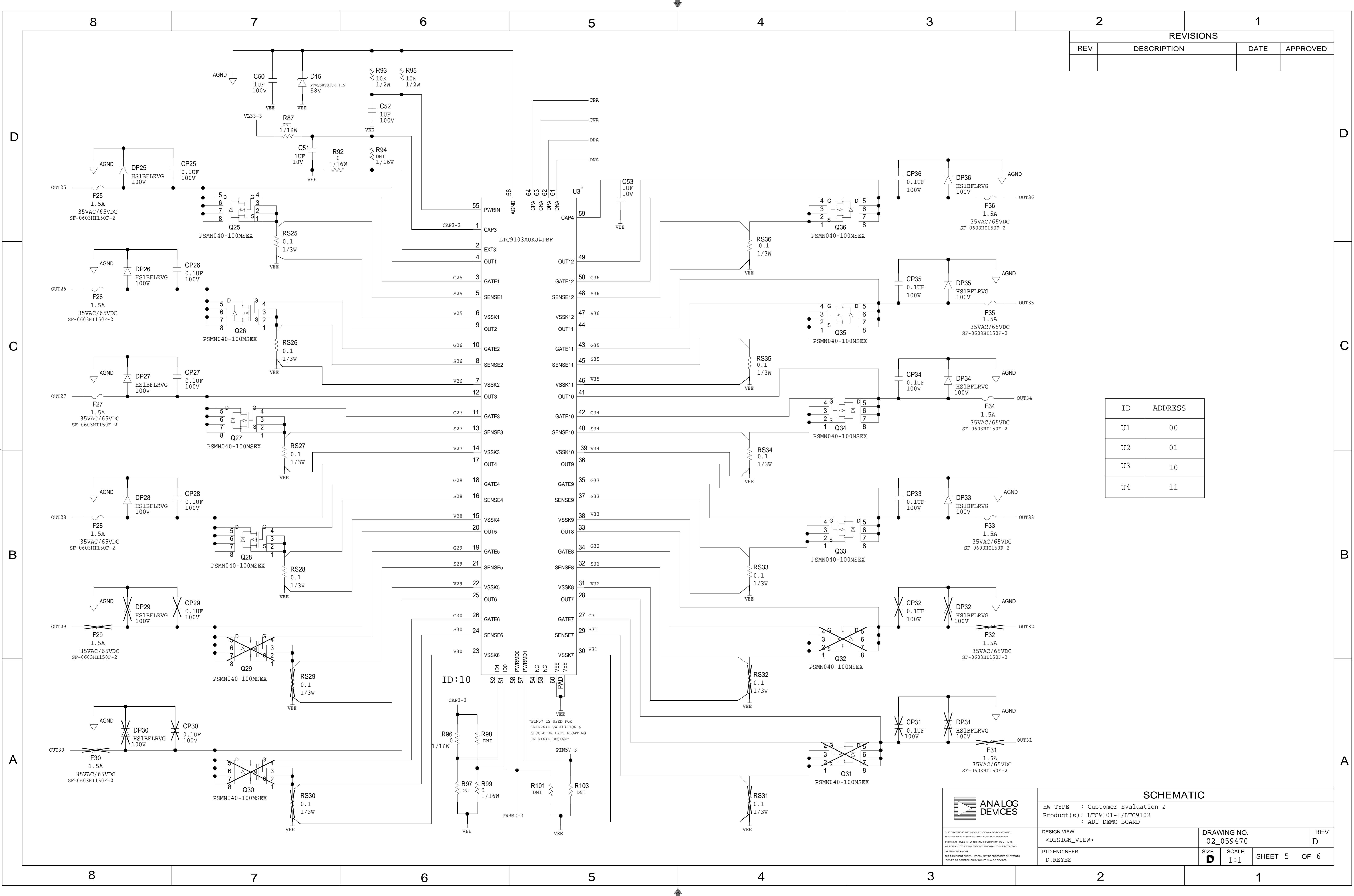
REVISIONS			
REV	DESCRIPTION	DATE	APPROVED



ID	ADDRESS
U1	00
U2	01
U3	10
U4	11

	SCHEMATIC		
	HW TYPE : Customer Evaluation Z Product(s) : LTC9101-1/LTC9102 : ADI DEMO BOARD		
DESIGN VIEW <DESIGN_VIEW>	DRAWING NO. 02_059470	REV D	
PTD ENGINEER D. REYES	SIZE D	SCALE 1:1	SHEET 4 OF 6

REVISIONS			
REV	DESCRIPTION	DATE	APPROVED

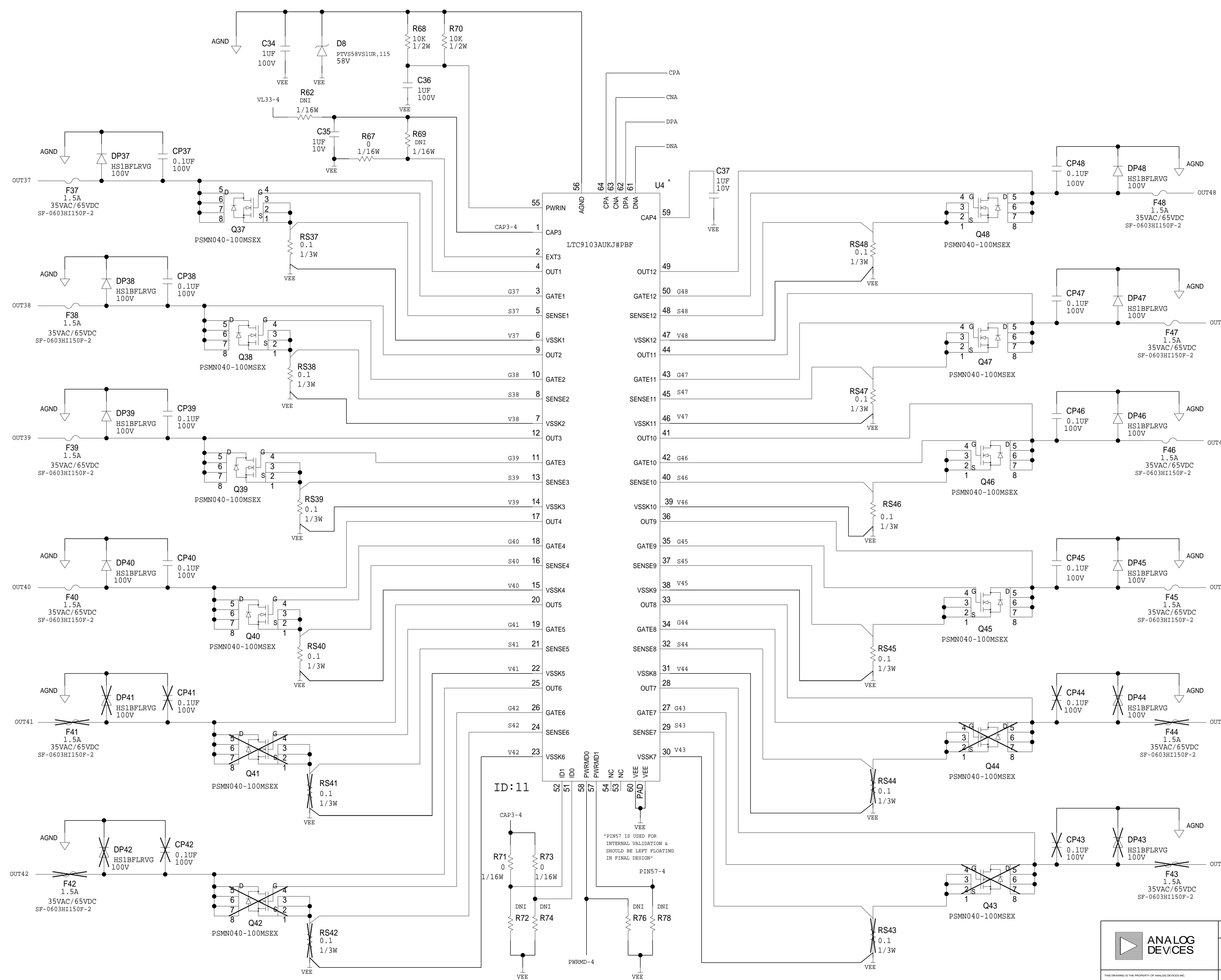


ID	ADDRESS
U1	00
U2	01
U3	10
U4	11

	SCHEMATIC		
	HW TYPE : Customer Evaluation Z Product(s) : LTC9101-1/LTC9102 : ADI DEMO BOARD		
DESIGN VIEW <DESIGN_VIEW>	DRAWING NO. 02_059470	REV D	
PTD ENGINEER D. REYES	SIZE D	SCALE 1:1	SHEET 5 OF 6

THIS DRAWING IS THE PROPERTY OF ANALOG DEVICES INC. IT IS NOT TO BE REPRODUCED OR COPIED, IN WHOLE OR IN PART, OR USED IN FURNISHING INFORMATION TO OTHERS, OR FOR ANY OTHER PURPOSE DETRIMENTAL TO THE INTERESTS OF ANALOG DEVICES. THE EQUIPMENT SHOWN HEREIN MAY BE PROTECTED BY PATENTS OWNED OR CONTROLLED BY ANALOG DEVICES.

REVISIONS			
REV	DESCRIPTION	DATE	APPROVED



ID	ADDRESS
U1	00
U2	01
U3	10
U4	11

	SCHEMATIC		
	HW TYPE : Customer Evaluation Z Product(s) : LTC9101-1/LTC9102 : ADI DEMO BOARD		
DESIGN VIEW <DESIGN_VIEW>	DRAWING NO. 02_059470	REV D	
PTD ENGINEER D. REYES	SIZE D	SCALE 1:1	SHEET 6 OF 6

PINS7 IS USED FOR INTERNAL VALIDATION & SHOULD BE LEFT FLOATING IN FINAL DESIGN

REVISION HISTORY				
ECO	REV	DESCRIPTION	APPROVED	DATE
	3			

POWER SUPPLY

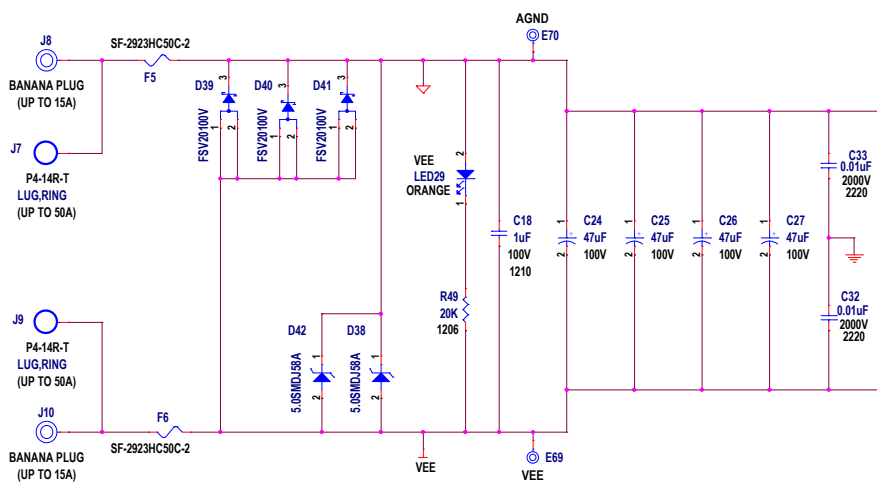
MAIN SUPPLY INPUT

OPTIONAL OVERCURRENT, OVERVOLTAGE, AND REVERSE VOLTAGE PROTECTION

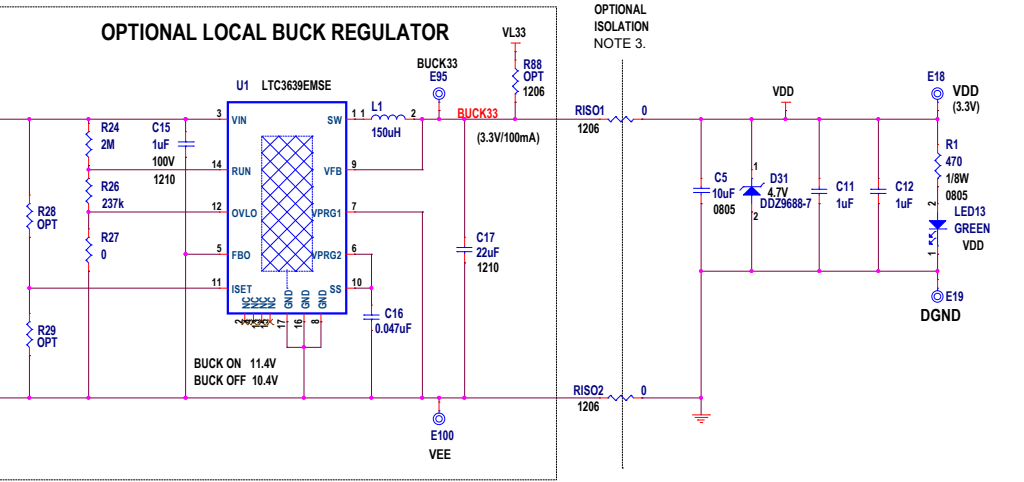
POS INPUT
+

TYPE 3: 51V - 57V
TYPE 4: 53V - 57V

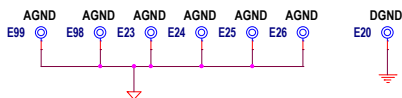
NEG INPUT
-



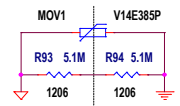
OPTIONAL LOCAL BUCK REGULATOR



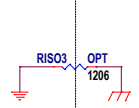
OPTIONAL ISOLATION NOTE 3.



OPTIONAL SURGE PROTECTION AND BLEEDER RESISTANCE

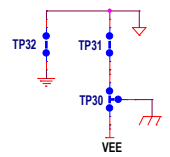


OPTIONAL ISOLATION NOTE 4.



NOTE: UNLESS OTHERWISE SPECIFIED

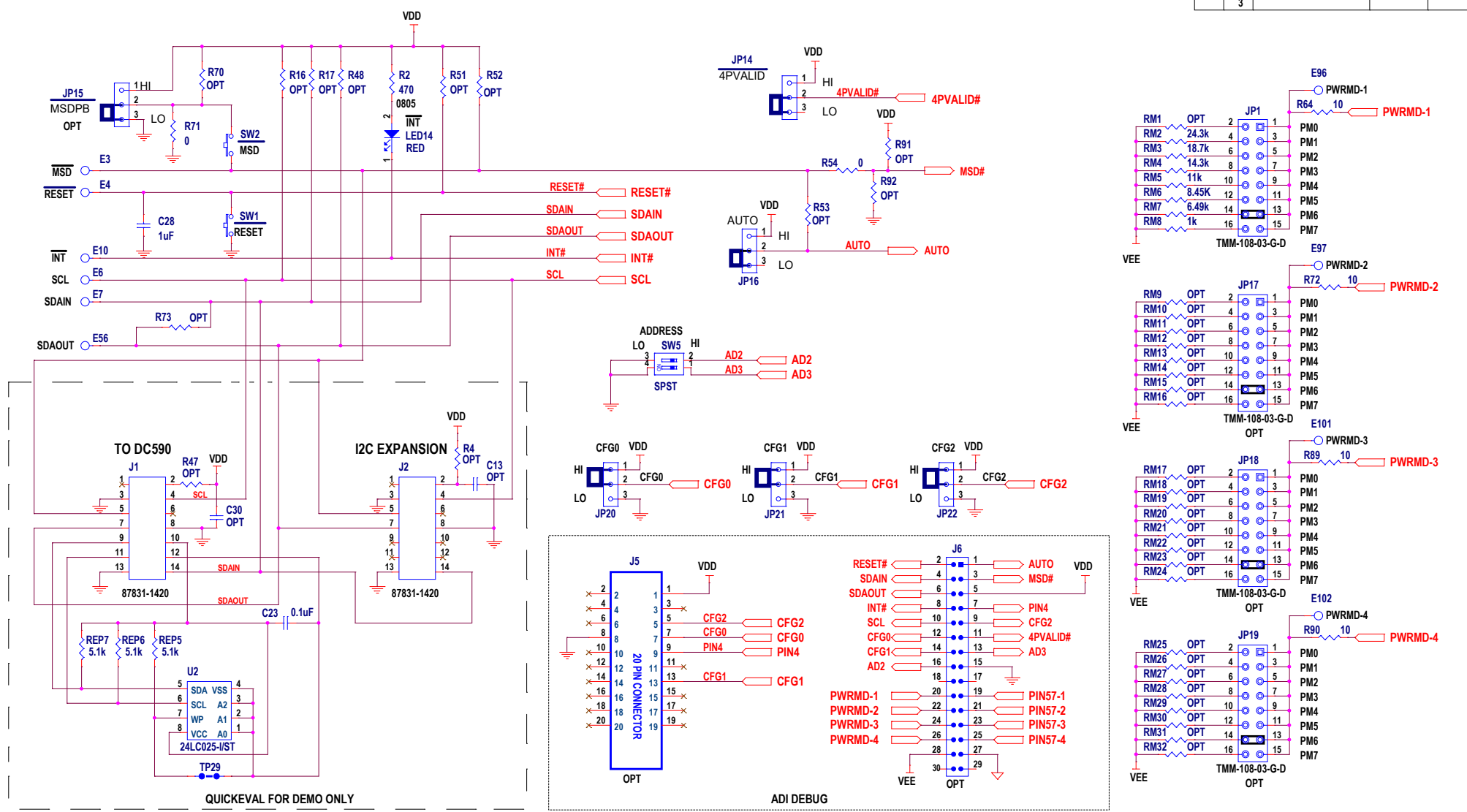
1. ALL RESISTORS AND CAPACITORS ARE 0603.
2. INSTALL SHUNTS AS SHOWN.
3. REMOVE RESISTORS TO ISOLATE DIGITAL AND ANALOG DOMAINS
4. POPULATE RESISTOR TO CONNECT DIGITAL GROUND TO CHASSIS



CUSTOMER NOTICE		APPROVALS		ANALOG DEVICES	POWER BY LINAR
ANALOG DEVICES HAS MADE A BEST EFFORT TO DESIGN A CIRCUIT THAT MEETS CUSTOMER-SUPPLIED SPECIFICATIONS. HOWEVER, IT REMAINS THE CUSTOMER'S RESPONSIBILITY TO VERIFY PROPER AND DESIRED OPERATION IN THE ACTUAL APPLICATION. COMPONENT SUBSTITUTION AND PRINTED CIRCUIT BOARD LAYOUT MAY SIGNIFICANTLY AFFECT CIRCUIT PERFORMANCE OR RELIABILITY. CONTACT ANALOG DEVICES APPLICATION ENGINEERING FOR ASSISTANCE.		PCB DES.	KEHM		
THIS CIRCUIT IS PROPRIETARY TO ANALOG DEVICES AND SUPPLIED FOR USE WITH ANALOG DEVICES PARTS.		APP ENG.	ERIC.H	TITLE: SCHEMATIC	
				24-PORT IEEE 802.3M PSE MOTHER BOARD	
				IC NO. LTC3639EMSE#TRPBF SCHEMATIC NO. AND REVISION:	
				SKU NO. DC3017A 710-DC3017A-A_REV03	
				SIZE: N/A DATE: SHEET 1 OF 11	

CONFIGURATIONS

REVISION HISTORY				
ECO	REV	DESCRIPTION	APPROVED	DATE
	3			



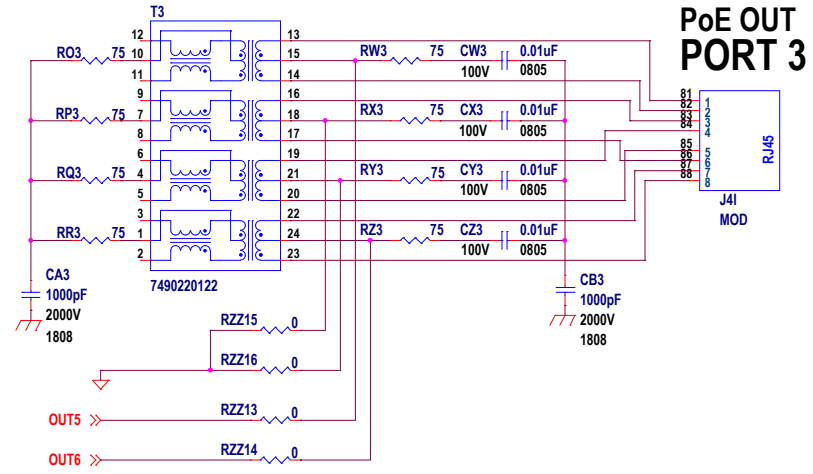
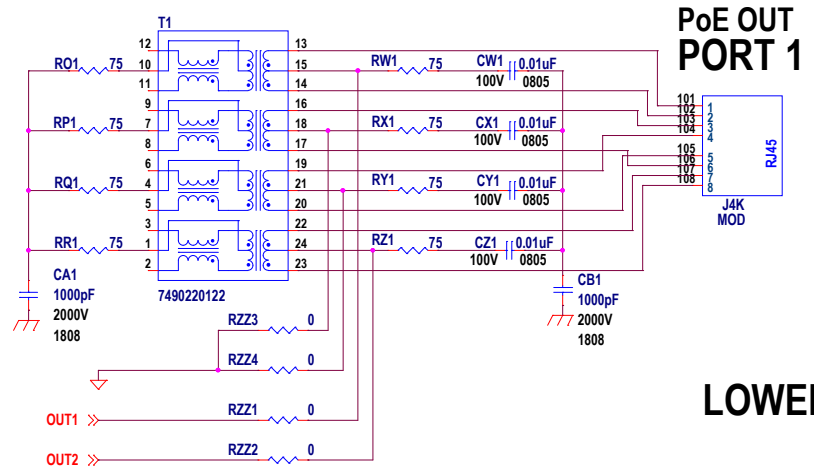
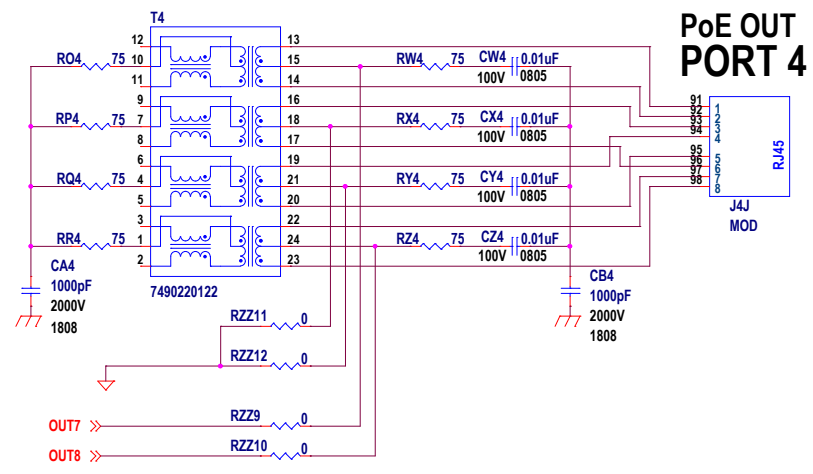
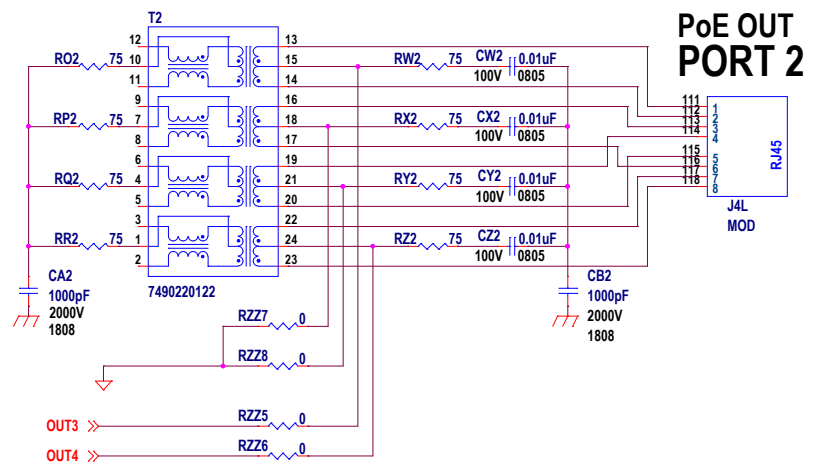
NOTE: UNLESS OTHERWISE SPECIFIED
 1. ALL RESISTORS AND CAPACITORS ARE 0603.
 2. INSTALL SHUNTS AS SHOWN.

CUSTOMER NOTICE		APPROVALS		ANALOG DEVICES	POWER BY LINEAR
<small>ANALOG DEVICES HAS MADE A BEST EFFORT TO DESIGN A CIRCUIT THAT MEETS CUSTOMER-SUPPLIED SPECIFICATIONS; HOWEVER, IT REMAINS THE CUSTOMER'S RESPONSIBILITY TO VERIFY PROPER AND RELIABLE OPERATION IN THE ACTUAL APPLICATION. COMPONENT SUBSTITUTION AND PRINTED CIRCUIT BOARD LAYOUT MAY SIGNIFICANTLY AFFECT CIRCUIT PERFORMANCE OR RELIABILITY. CONTACT ANALOG DEVICES APPLICATIONS ENGINEERING FOR ASSISTANCE.</small>		PCB DES.	KEN.M		
<small>THIS CIRCUIT IS PROPRIETARY TO ANALOG DEVICES AND SUPPLIED FOR USE WITH ANALOG DEVICES PARTS.</small>		APP ENG.	ERIC.H	TITLE: SCHEMATIC	
				24-PORT IEEE 802.3bt PSE MOTHER BOARD	
				IC NO. LTC3639EMSE#TRPBF	SCHMATIC NO. AND REVISION:
				SKU NO. DC3017A	710-DC3017A-A_REV03
		SIZE: N/A	DATE:	SHEET 2 OF 11	

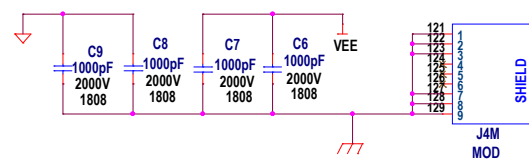
REVISION HISTORY				
ECO	REV	DESCRIPTION	APPROVED	DATE
	3			

PORTS 1 - 4

UPPER ROW



LOWER ROW



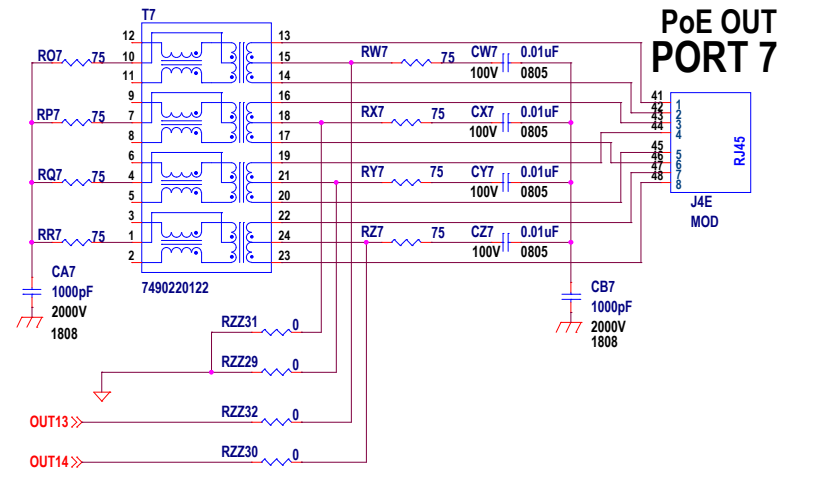
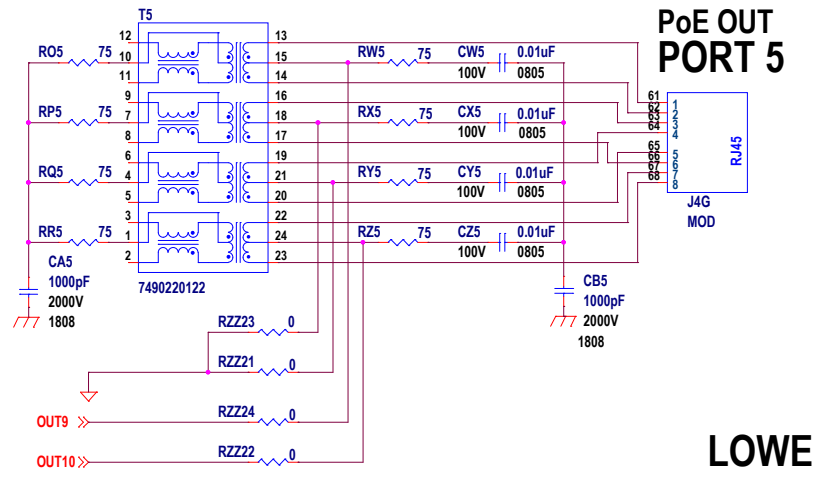
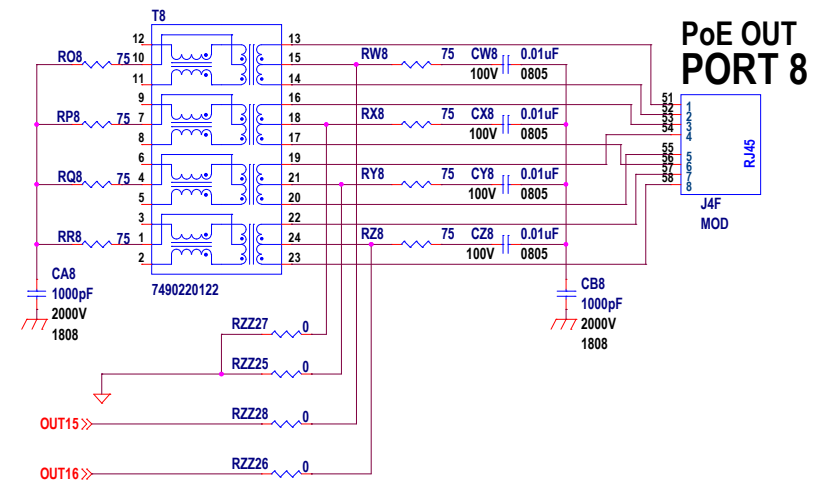
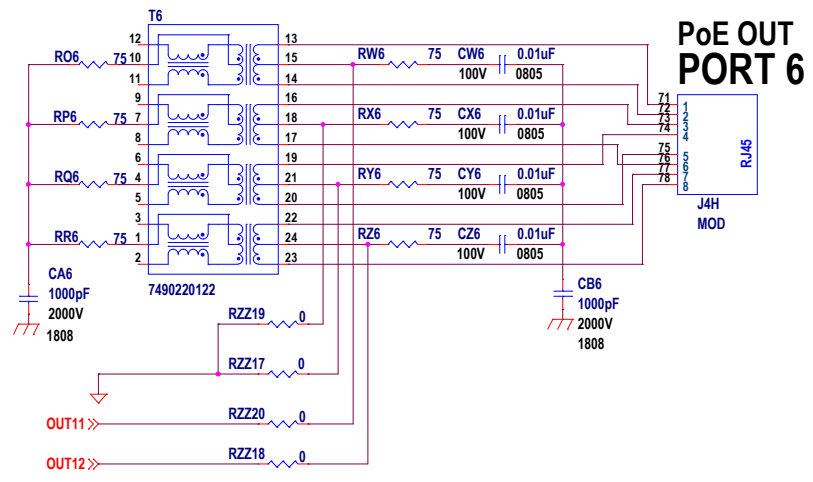
NOTE: UNLESS OTHERWISE SPECIFIED
 1. ALL RESISTORS AND CAPACITORS ARE 0603.
 2. INSTALL SHUNTS AS SHOWN.

CUSTOMER NOTICE		APPROVALS		ANALOG DEVICES		POWER BY LINEAR	
ANALOG DEVICES HAS MADE A BEST EFFORT TO DESIGN A CIRCUIT THAT MEETS CUSTOMER-SUPPLIED SPECIFICATIONS; HOWEVER, IT REMAINS THE CUSTOMER'S RESPONSIBILITY TO VERIFY PROPER AND RELIABLE OPERATION IN THE ACTUAL APPLICATION. COMPONENT SUBSTITUTION AND PRINTED CIRCUIT BOARD LAYOUT MAY SIGNIFICANTLY AFFECT CIRCUIT PERFORMANCE OR RELIABILITY. CONTACT ANALOG DEVICES APPLICATIONS ENGINEERING FOR ASSISTANCE.		PCB DES.	KEMM	www.analog.com		Phone: (408)432-1900	
THIS CIRCUIT IS PROPRIETARY TO ANALOG DEVICES AND SUPPLIED FOR USE WITH ANALOG DEVICES PARTS.		APP ENG.	ERIC.H				
TITLE: SCHEMATIC				24-PORT IEEE 802.3bt PSE MOTHER BOARD			
IC NO. LTC3839EMSE#TRPBF				SCHEMATIC NO. AND REVISION:			
SKU NO. DC3017A				710-DC3017A-A_REV03			
SIZE: N/A		DATE:		SHEET		4 OF 11	

REVISION HISTORY				
ECO	REV	DESCRIPTION	APPROVED	DATE
	3			

PORTS 5 - 8

UPPER ROW



LOWER ROW

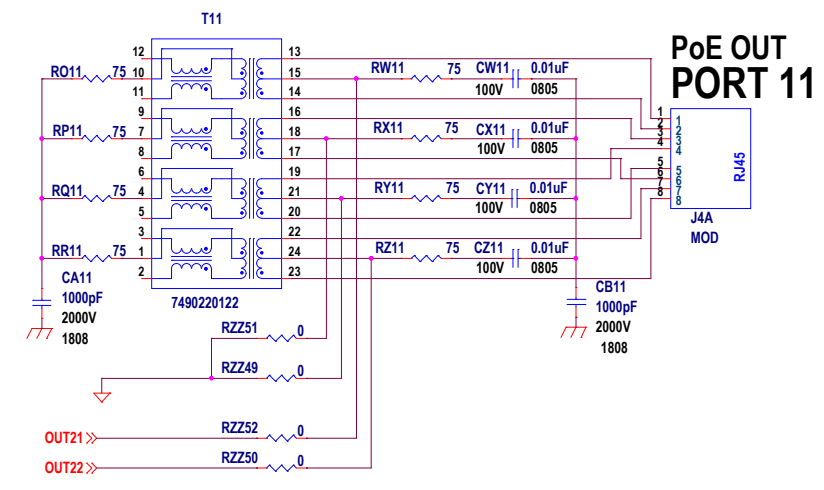
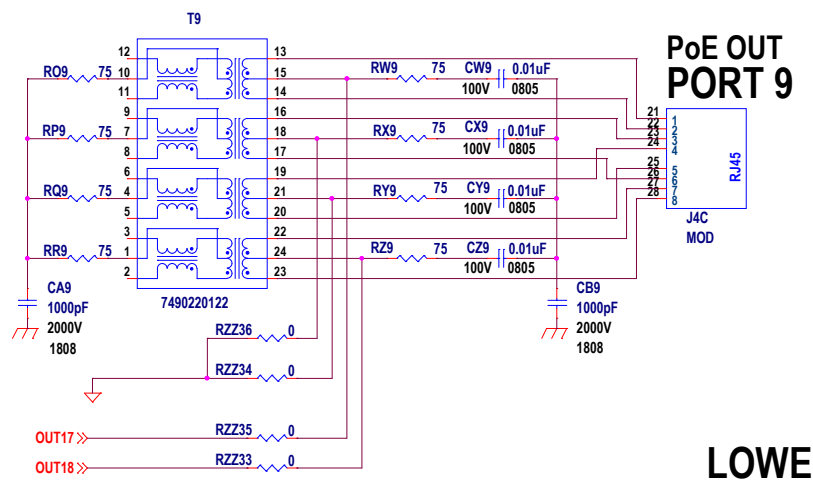
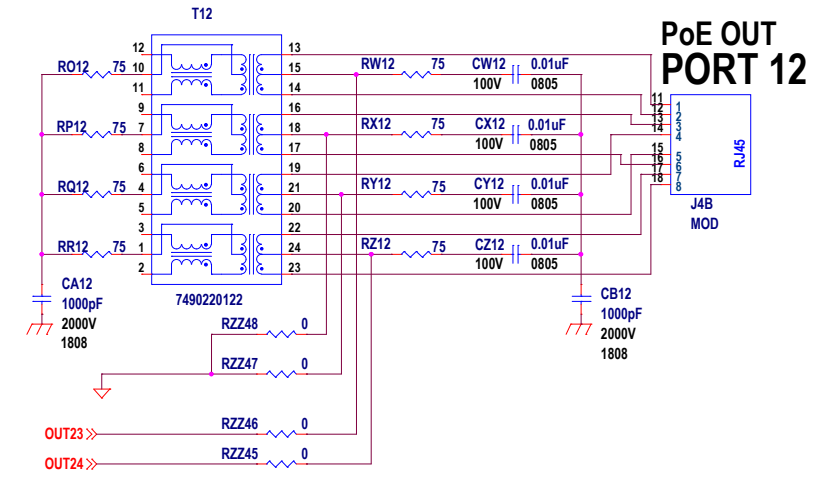
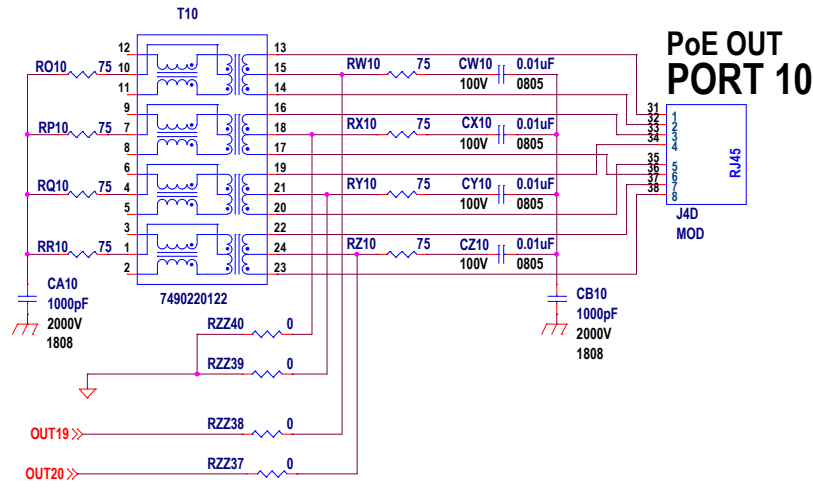
NOTE: UNLESS OTHERWISE SPECIFIED

1. ALL RESISTORS AND CAPACITORS ARE 0603.
2. INSTALL SHUNTS AS SHOWN.

CUSTOMER NOTICE		APPROVALS		ANALOG DEVICES		POWER BY LINEAR	
ANALOG DEVICES HAS MADE A BEST EFFORT TO DESIGN A CIRCUIT THAT MEETS CUSTOMER-SUPPLIED SPECIFICATIONS; HOWEVER, IT REMAINS THE CUSTOMER'S RESPONSIBILITY TO VERIFY PROPER AND RELIABLE OPERATION IN THE ACTUAL APPLICATION. COMPONENT SUBSTITUTION AND PRINTED CIRCUIT BOARD LAYOUT MAY SIGNIFICANTLY AFFECT CIRCUIT PERFORMANCE OR RELIABILITY. CONTACT ANALOG DEVICES APPLICATIONS ENGINEERING FOR ASSISTANCE.		PCB DES.	KEM/M	www.analog.com		Phone: (408)432-1900	
		APP ENG.	ERIC/H				
THIS CIRCUIT IS PROPRIETARY TO ANALOG DEVICES AND SUPPLIED FOR USE WITH ANALOG DEVICES PARTS.		TITLE: SCHEMATIC		24-PORT IEEE802.3bt PSE MOTHER BOARD			
		IC NO. LTC3839EMSE#TRPBF		SCHEMATIC NO. AND REVISION:			
		SKU NO. DC3017A		710-DC3017A-A_REV03			
SIZE: N/A		DATE:		SHEET 5		OF 11	

UPPER ROW

REVISION HISTORY		APPROVED	DATE
ECO	REV	DESCRIPTION	
	3		



LOWER ROW

NOTE: UNLESS OTHERWISE SPECIFIED

1. ALL RESISTORS AND CAPACITORS ARE 0603.
2. INSTALL SHUNTS AS SHOWN.

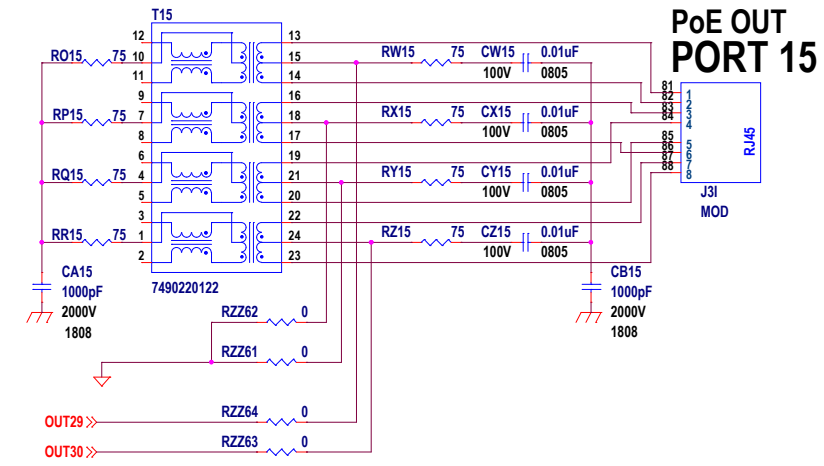
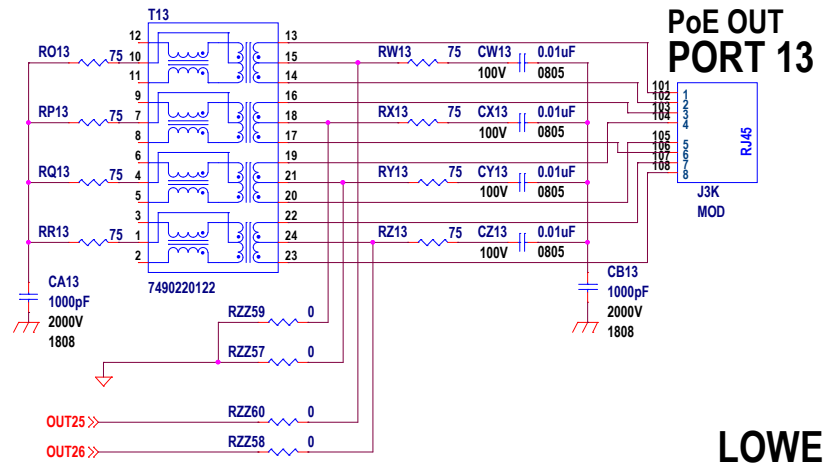
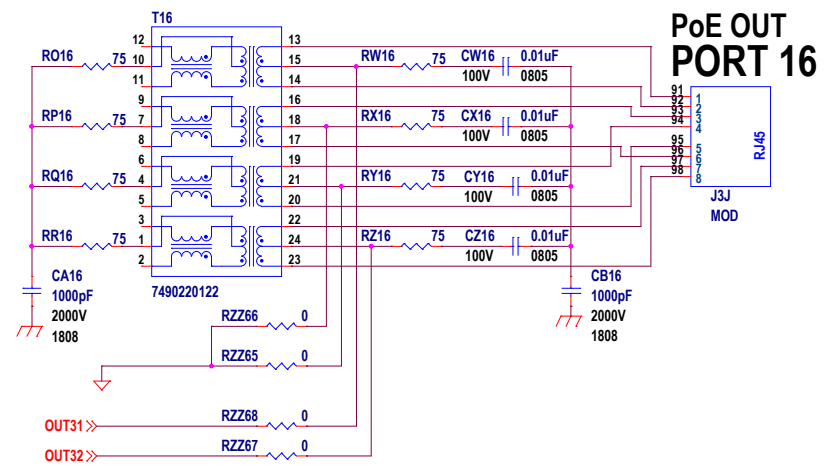
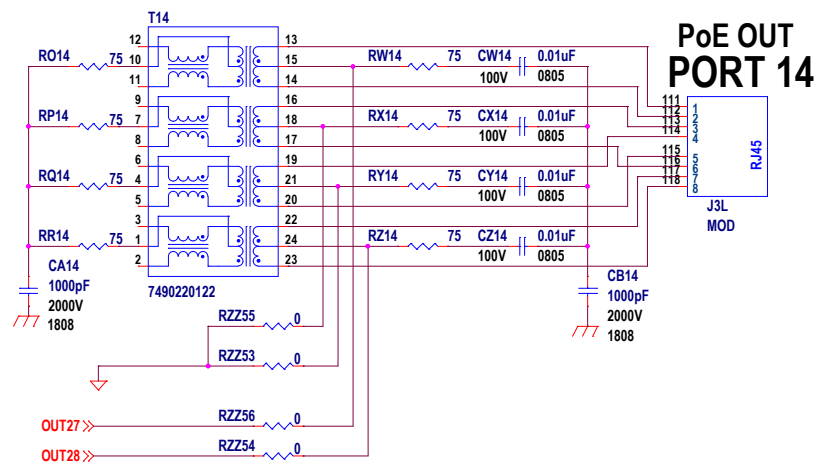
<p>CUSTOMER NOTICE</p> <p>ANALOG DEVICES HAS MADE A BEST EFFORT TO DESIGN A CIRCUIT THAT MEETS CUSTOMER-SUPPLIED SPECIFICATIONS; HOWEVER, IT REMAINS THE CUSTOMER'S RESPONSIBILITY TO VERIFY PROPER AND RELIABLE OPERATION IN THE ACTUAL APPLICATION. COMPONENT SUBSTITUTION AND PRINTED CIRCUIT BOARD LAYOUT MAY SIGNIFICANTLY AFFECT CIRCUIT PERFORMANCE OR RELIABILITY. CONTACT ANALOG DEVICES APPLICATIONS ENGINEERING FOR ASSISTANCE.</p>	<p>APPROVALS</p>		<p>www.analog.com Phone: (408)432-1900</p>
	PCB DES.	KEM/M	
	APP ENG.	ERIC/H	
	<p>TITLE: SCHEMATIC</p> <p>24-PORT IEEE 802.3bt PSE MOTHER BOARD</p>		
<p>IC NO. LTC3839EMSE#FTRPBF</p> <p>SKU NO. DC3017A</p>		<p>SCHEMATIC NO. AND REVISION:</p> <p>710-DC3017A-A_REV03</p>	
<p>SIZE: N/A</p> <p>DATE:</p>		<p>SHEET 6 OF 11</p>	

THIS CIRCUIT IS PROPRIETARY TO ANALOG DEVICES AND SUPPLIED FOR USE WITH ANALOG DEVICES PARTS.

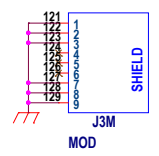
REVISION HISTORY				
ECO	REV	DESCRIPTION	APPROVED	DATE
	3			

PORTS 13 - 16

UPPER ROW



LOWER ROW

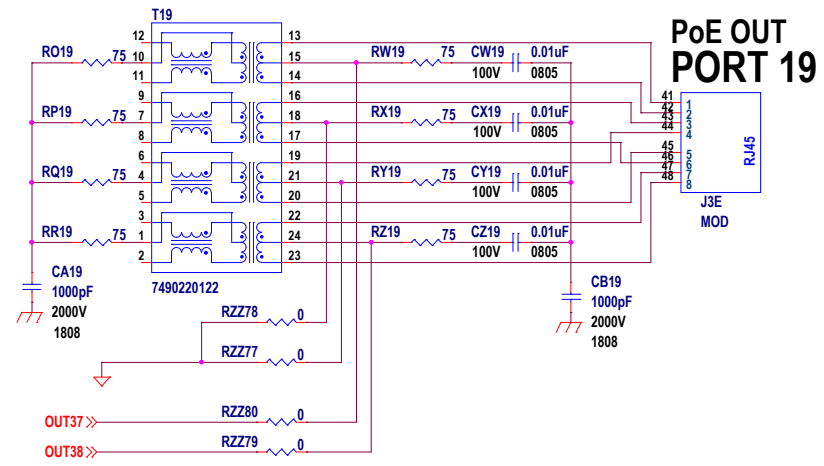
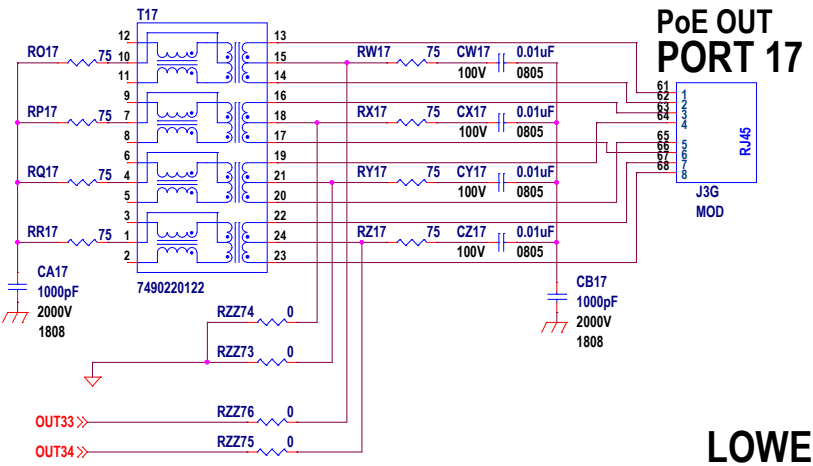
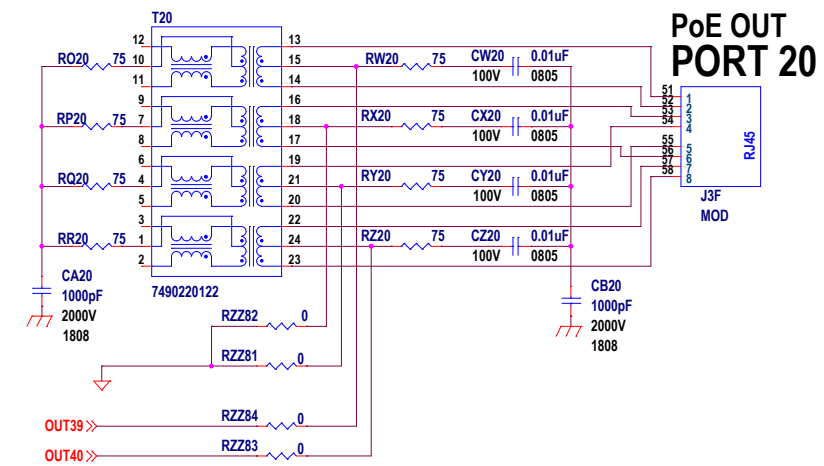
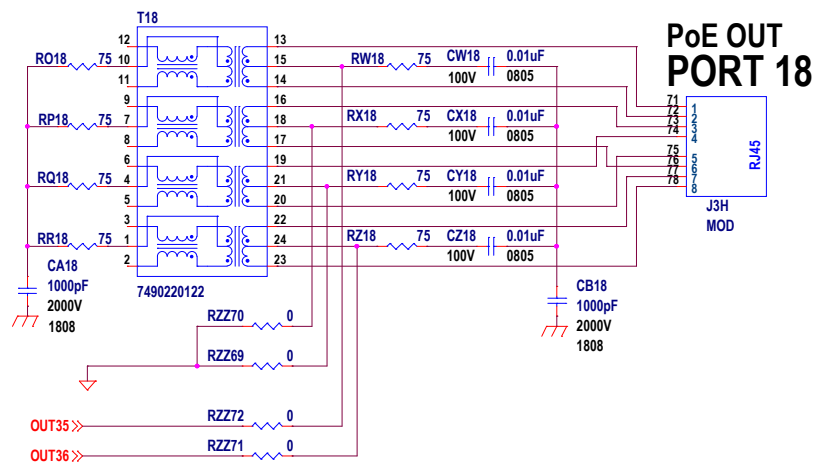


NOTE: UNLESS OTHERWISE SPECIFIED
 1. ALL RESISTORS AND CAPACITORS ARE 0603.
 2. INSTALL SHUNTS AS SHOWN.

CUSTOMER NOTICE		APPROVALS		ANALOG DEVICES www.analog.com	POWER BY LINEAR Phone: (408)432-1900
ANALOG DEVICES HAS MADE A BEST EFFORT TO DESIGN A CIRCUIT THAT MEETS CUSTOMER-SUPPLIED SPECIFICATIONS; HOWEVER, IT REMAINS THE CUSTOMER'S RESPONSIBILITY TO VERIFY PROPER AND RELIABLE OPERATION IN THE ACTUAL APPLICATION. COMPONENT SUBSTITUTION AND PRINTED CIRCUIT BOARD LAYOUT MAY SIGNIFICANTLY AFFECT CIRCUIT PERFORMANCE OR RELIABILITY. CONTACT ANALOG DEVICES APPLICATIONS ENGINEERING FOR ASSISTANCE.		PCB DES.	KEM/M		
THIS CIRCUIT IS PROPRIETARY TO ANALOG DEVICES AND SUPPLIED FOR USE WITH ANALOG DEVICES PARTS.		APP ENG.	ERIC/H	24-PORT IEEE802.3bt PSE MOTHER BOARD	
				IC NO. LTC3839EMSE#FTRPBF	SCHEMATIC NO. AND REVISION: 710-DC3017A-A_REV03
				SKU NO. DC3017A	
				SIZE: N/A	DATE:
				SHEET 7 OF 11	

UPPER ROW

REVISION HISTORY				
ECO	REV	DESCRIPTION	APPROVED	DATE
	3			



LOWER ROW

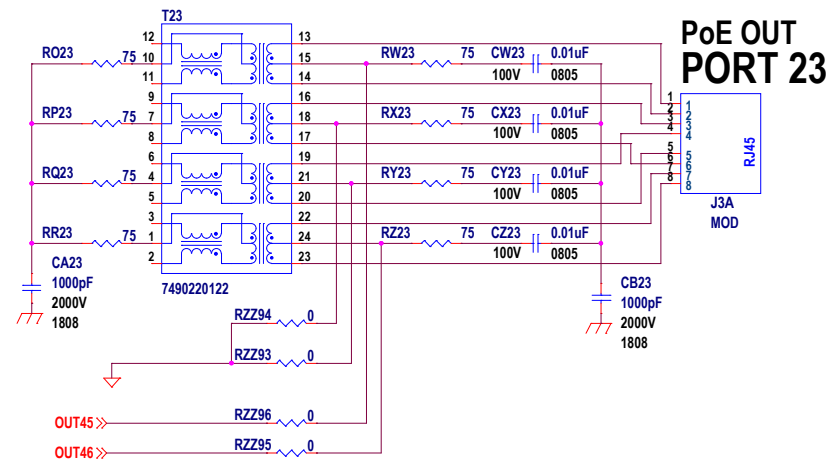
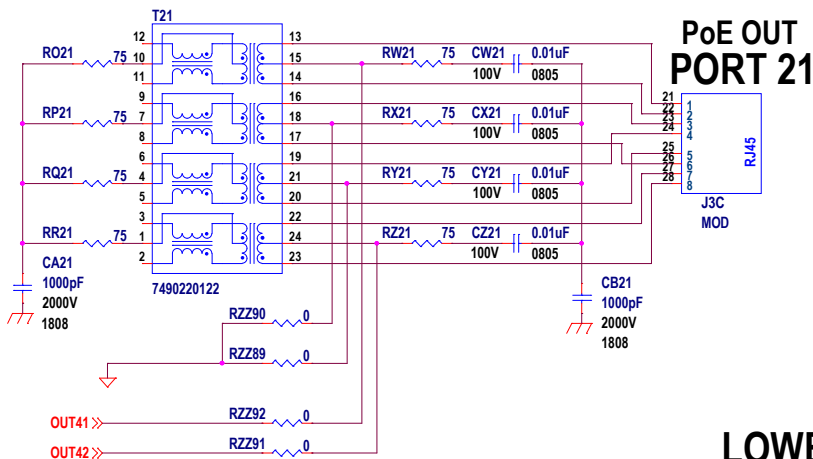
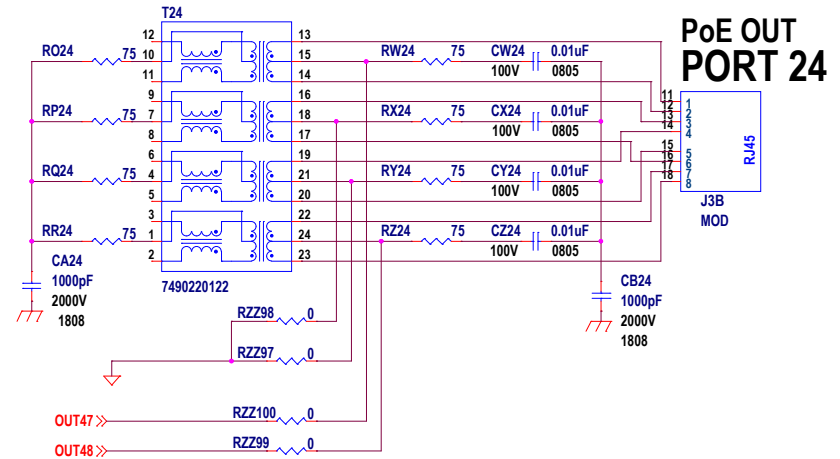
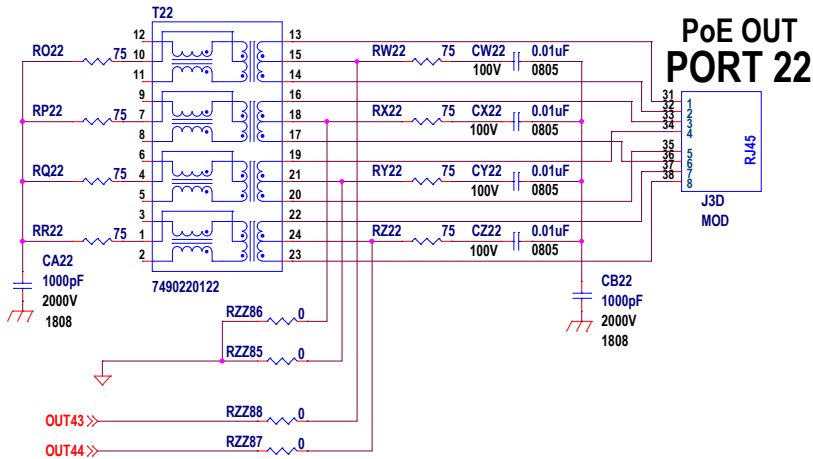
NOTE: UNLESS OTHERWISE SPECIFIED

1. ALL RESISTORS AND CAPACITORS ARE 0603.
2. INSTALL SHUNTS AS SHOWN.

<p>CUSTOMER NOTICE</p> <p>ANALOG DEVICES HAS MADE A BEST EFFORT TO DESIGN A CIRCUIT THAT MEETS CUSTOMER-SUPPLIED SPECIFICATIONS; HOWEVER, IT REMAINS THE CUSTOMER'S RESPONSIBILITY TO VERIFY PROPER AND RELIABLE OPERATION IN THE ACTUAL APPLICATION. COMPONENT SUBSTITUTION AND PRINTED CIRCUIT BOARD LAYOUT MAY SIGNIFICANTLY AFFECT CIRCUIT PERFORMANCE OR RELIABILITY. CONTACT ANALOG DEVICES APPLICATIONS ENGINEERING FOR ASSISTANCE.</p> <p>THIS CIRCUIT IS PROPRIETARY TO ANALOG DEVICES AND SUPPLIED FOR USE WITH ANALOG DEVICES PARTS.</p>	<p>APPROVALS</p>		<p>www.analog.com Phone: (408)432-1900</p>
	PCB DES.	KEM/M	
	APP ENG.	ERIC/H	
	<p>TITLE: SCHEMATIC</p> <p>24-PORT IEEE 802.3bt PSE MOTHER BOARD</p>		
<p>IC NO. LTC3839EMSE#FTRPBF</p> <p>SKU NO. DC3017A</p>		<p>SCHEMATIC NO. AND REVISION:</p> <p>710-DC3017A-A_REV03</p>	
SIZE: N/A	DATE:	<p>SHEET 8 OF 11</p>	

UPPER ROW

REVISION HISTORY				
ECO	REV	DESCRIPTION	APPROVED	DATE
	3			



LOWER ROW

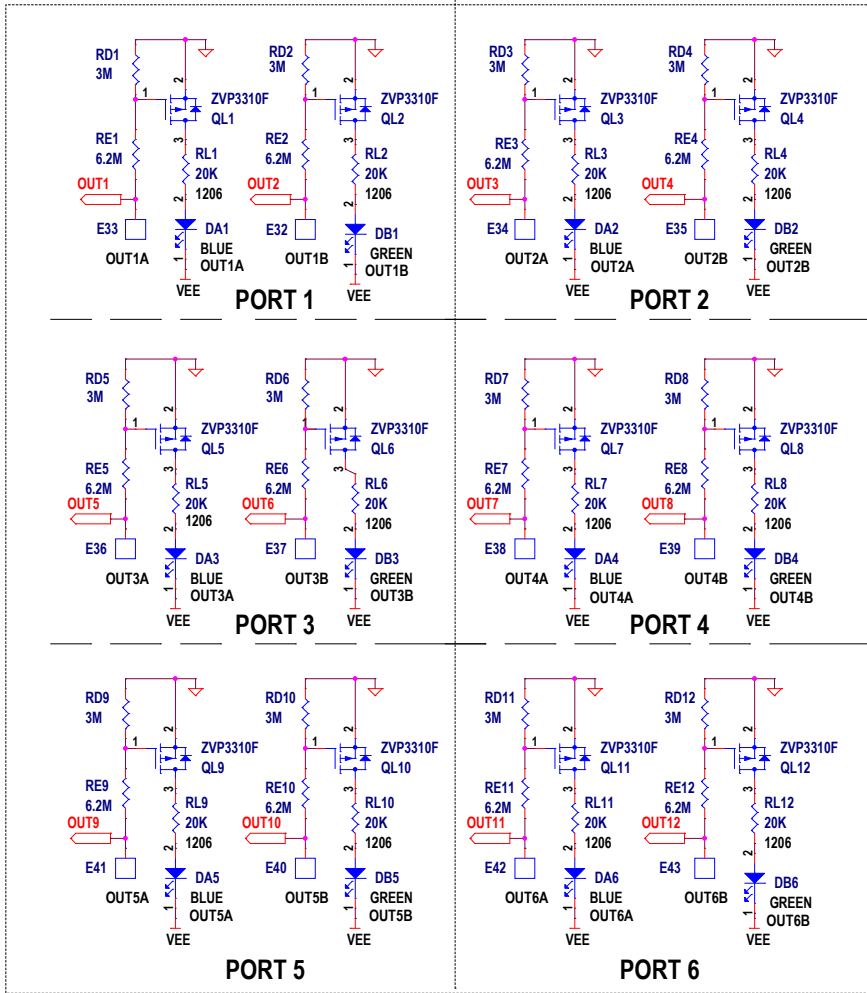
NOTE: UNLESS OTHERWISE SPECIFIED

1. ALL RESISTORS AND CAPACITORS ARE 0603.
2. INSTALL SHUNTS AS SHOWN.

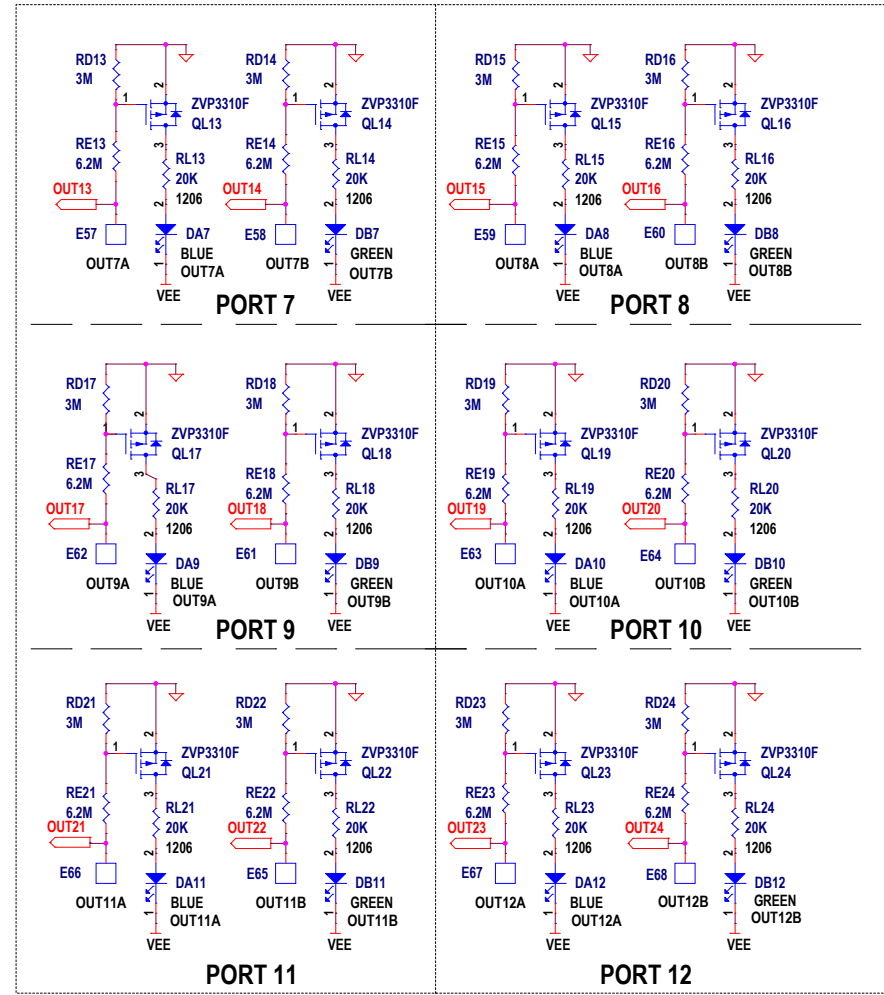
CUSTOMER NOTICE		APPROVALS		ANALOG DEVICES www.analog.com	POWER BY LINEAR Phone: (408)432-1900
ANALOG DEVICES HAS MADE A BEST EFFORT TO DESIGN A CIRCUIT THAT MEETS CUSTOMER-SUPPLIED SPECIFICATIONS; HOWEVER, IT REMAINS THE CUSTOMER'S RESPONSIBILITY TO VERIFY PROPER AND RELIABLE OPERATION IN THE ACTUAL APPLICATION. COMPONENT SUBSTITUTION AND PRINTED CIRCUIT BOARD LAYOUT MAY SIGNIFICANTLY AFFECT CIRCUIT PERFORMANCE OR RELIABILITY. CONTACT ANALOG DEVICES APPLICATIONS ENGINEERING FOR ASSISTANCE.		PCB DES.	KEM/M		
THIS CIRCUIT IS PROPRIETARY TO ANALOG DEVICES AND SUPPLIED FOR USE WITH ANALOG DEVICES PARTS.		APP ENG.	ERIC.H	24-PORT IEEE802.3bt PSE MOTHER BOARD	
				IC NO. LTC3839EMSE#FTRPBF	SCHEMATIC NO. AND REVISION:
				SKU NO. DC3017A	710-DC3017A-A_REV03
				SIZE: N/A	DATE:
				SHEET 9 OF 11	

REVISION HISTORY				
ECO	REV	DESCRIPTION	APPROVED	DATE
	3			

OPTIONAL PORT LED DRIVERS - PORTS 1 TO 6



OPTIONAL PORT LED DRIVERS - PORTS 7 - 12



NOTE: UNLESS OTHERWISE SPECIFIED

1. ALL RESISTORS AND CAPACITORS ARE 0603.
2. INSTALL SHUNTS AS SHOWN.

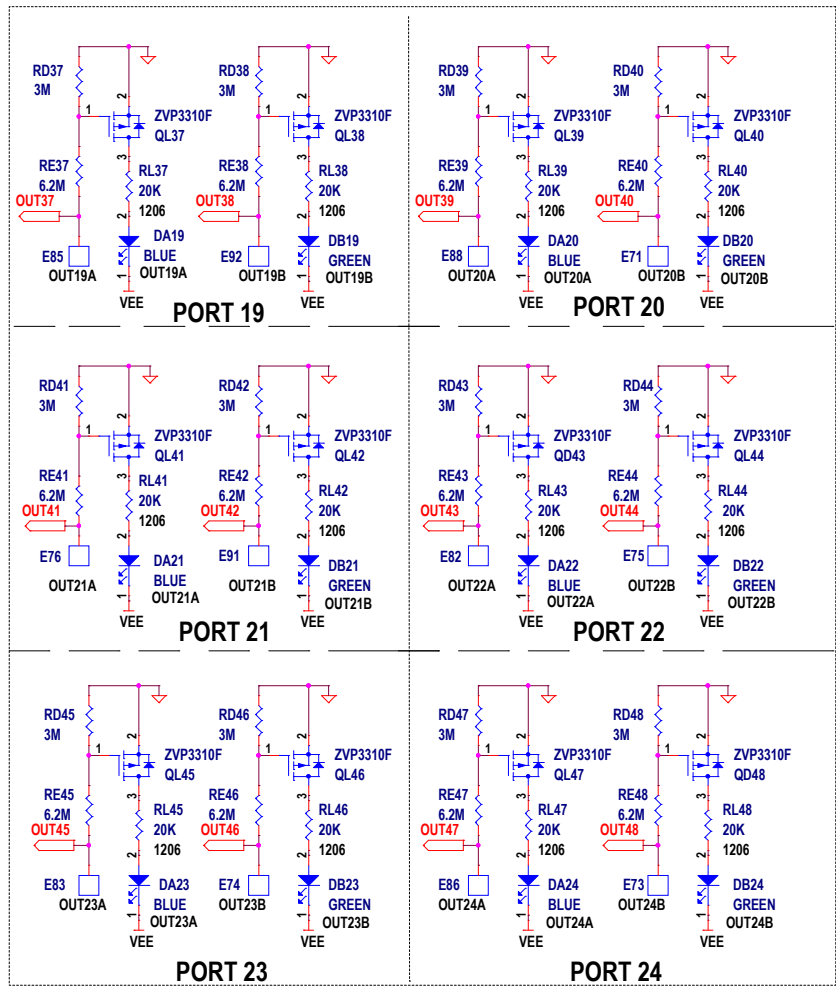
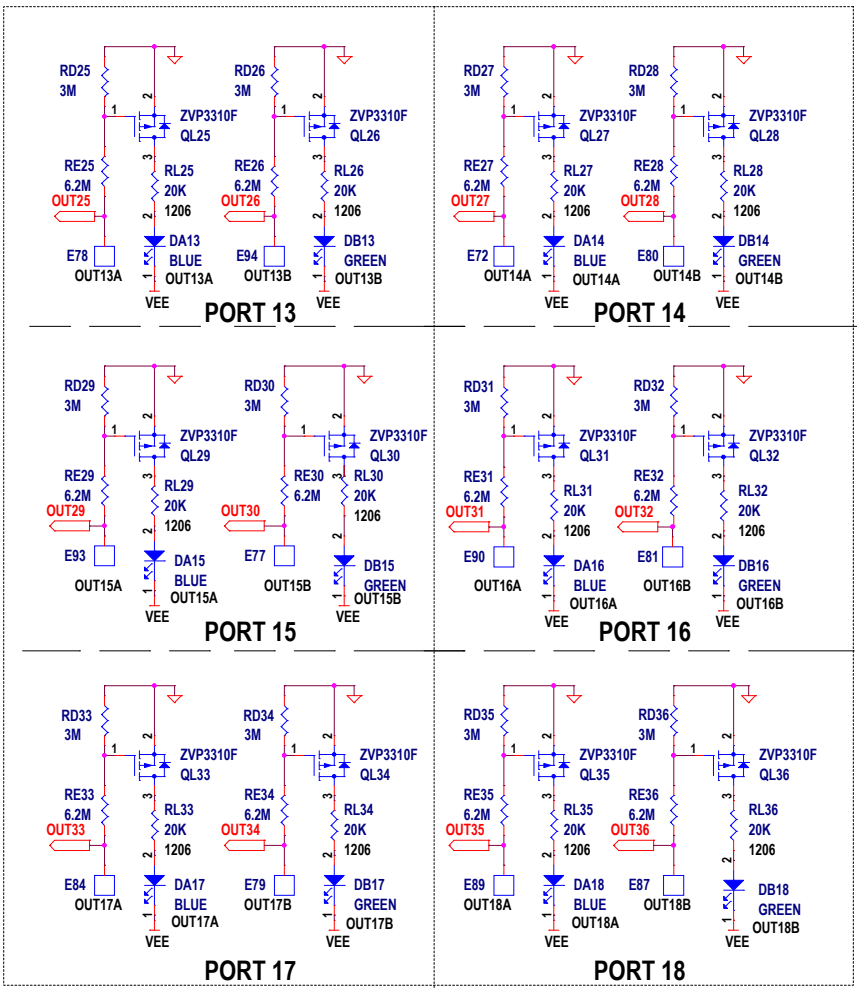
CUSTOMER NOTICE		APPROVALS		ANALOG DEVICES		POWER BY LINEAR			
<p>ANALOG DEVICES HAS MADE A BEST EFFORT TO DESIGN A CIRCUIT THAT MEETS CUSTOMER-SUPPLIED SPECIFICATIONS; HOWEVER, IT REMAINS THE CUSTOMER'S RESPONSIBILITY TO VERIFY PROPER AND RELIABLE OPERATION IN THE ACTUAL APPLICATION. COMPONENT SUBSTITUTION AND PRINTED CIRCUIT BOARD LAYOUT MAY SIGNIFICANTLY AFFECT CIRCUIT PERFORMANCE OR RELIABILITY. CONTACT ANALOG DEVICES APPLICATIONS ENGINEERING FOR ASSISTANCE.</p>		PCB DES.	KEMM	 www.analog.com Phone: (408)432-1900		TITLE: SCHEMATIC 24-PORT IEEE 802.3bt PSE MOTHER BOARD			
		APP ENG.	ERIC H						
		IC NO. LTC3839EMSE#FTRPBF SKU NO. DC3017A						SCHEMATIC NO. AND REVISION: 710-DC3017A-A_REV03	
		SIZE: N/A DATE:						SHEET 10 OF 11	
THIS CIRCUIT IS PROPRIETARY TO ANALOG DEVICES AND SUPPLIED FOR USE WITH ANALOG DEVICES PARTS.									

REVISION HISTORY				
ECO	REV	DESCRIPTION	APPROVED	DATE
	3			

PORTS 13-24 LEDs

OPTIONAL PORT LED DRIVERS - PORTS 13 -18

OPTIONAL PORT LED DRIVERS - PORTS 19 -24



NOTE: UNLESS OTHERWISE SPECIFIED
 1. ALL RESISTORS AND CAPACITORS ARE 0603.
 2. INSTALL SHUNTS AS SHOWN.

CUSTOMER NOTICE
 ANALOG DEVICES HAS MADE A BEST EFFORT TO DESIGN A CIRCUIT THAT MEETS CUSTOMER-SUPPLIED SPECIFICATIONS; HOWEVER, IT REMAINS THE CUSTOMER'S RESPONSIBILITY TO VERIFY PROPER AND RELIABLE OPERATION IN THE ACTUAL APPLICATION. COMPONENT SUBSTITUTION AND PRINTED CIRCUIT BOARD LAYOUT MAY SIGNIFICANTLY AFFECT CIRCUIT PERFORMANCE OR RELIABILITY. CONTACT ANALOG DEVICES APPLICATIONS ENGINEERING FOR ASSISTANCE.

APPROVALS	
PCB DES.	KEMM
APP ENG.	ERIC.H

www.analog.com Phone: (408)432-1900	
TITLE: SCHEMATIC	
24-PORT IEEE 802.3bt PSE MOTHER BOARD	
IC NO. LTC3839EMSE#TRPBF	SCHEMATIC NO. AND REVISION:
SKU NO. DC3017A	710-DC3017A-A_REV03
SIZE: N/A	DATE:
	SHEET 11 OF 11



HARDWARE

PCA ADDITIONAL PARTS

MP1	STANDOFF,NYLON,SNAP-ON,0.75" (19.1mm)
MP2	STANDOFF,NYLON,SNAP-ON,0.75" (19.1mm)
MP3	STANDOFF,NYLON,SNAP-ON,0.75" (19.1mm)
MP4	STANDOFF,NYLON,SNAP-ON,0.75" (19.1mm)
MP5	STANDOFF,NYLON,SNAP-ON,0.75" (19.1mm)
MP6	STANDOFF,NYLON,SNAP-ON,0.75" (19.1mm)
MP7	STANDOFF,NYLON,SNAP-ON,0.75" (19.1mm)
MP8	STANDOFF,NYLON,SNAP-ON,0.75" (19.1mm)
MP9	STANDOFF,NYLON,SNAP-ON,0.75" (19.1mm)
LB1	BOARD S/N LABEL 895-0154
PCB1	PCB, DC3017A-A REV03 (MAO BANG)
PK1	CONN.,POLARIZING KEY,PLUG,2.54mm PITCH,3.18mm DIM,ST,NATURAL THERMOPLASTIC
PK2	CONN.,POLARIZING KEY,PLUG,2.54mm PITCH,3.18mm DIM,ST,NATURAL THERMOPLASTIC
PK3	CONN.,POLARIZING KEY,PLUG,2.54mm PITCH,3.18mm DIM,ST,NATURAL THERMOPLASTIC

NOTE: UNLESS OTHERWISE SPECIFIED

1. INSTALL SHUNTS AS SHOWN.

CUSTOMER NOTICE <small>ANALOG DEVICES HAS MADE A BEST EFFORT TO DESIGN A CIRCUIT THAT MEETS CUSTOMER-SUPPLIED SPECIFICATIONS; HOWEVER, IT REMAINS THE CUSTOMER'S RESPONSIBILITY TO VERIFY PROPER AND RELIABLE OPERATION IN THE ACTUAL APPLICATION. COMPONENT SUBSTITUTION AND PRINTED CIRCUIT BOARD LAYOUT MAY SIGNIFICANTLY AFFECT CIRCUIT PERFORMANCE OR RELIABILITY. CONTACT ANALOG DEVICES APPLICATIONS ENGINEERING FOR ASSISTANCE.</small>	APPROVALS		  <small>www.analog.com</small> Phone: (408)432-1900	
	<small>PCB DES.</small>	<small>KEN.M</small>		<small>APP ENG.</small>
<small>THIS CIRCUIT IS PROPRIETARY TO ANALOG DEVICES AND SUPPLIED FOR USE WITH ANALOG DEVICES PARTS.</small>	<small>TITLE: SCHEMATIC</small> 24-PORT IEEE 802.3bt PSE MOTHER BOARD		<small>IC NO.</small> LTC3639EMSE#TRPBF <small>SKU NO.</small> DC3017A	<small>SCHEMATIC NO. AND REVISION:</small> 710-DC3017A-A_REV03
<small>SIZE: N/A</small>		<small>DATE:</small>	<small>SHEET 12 OF 0</small>	