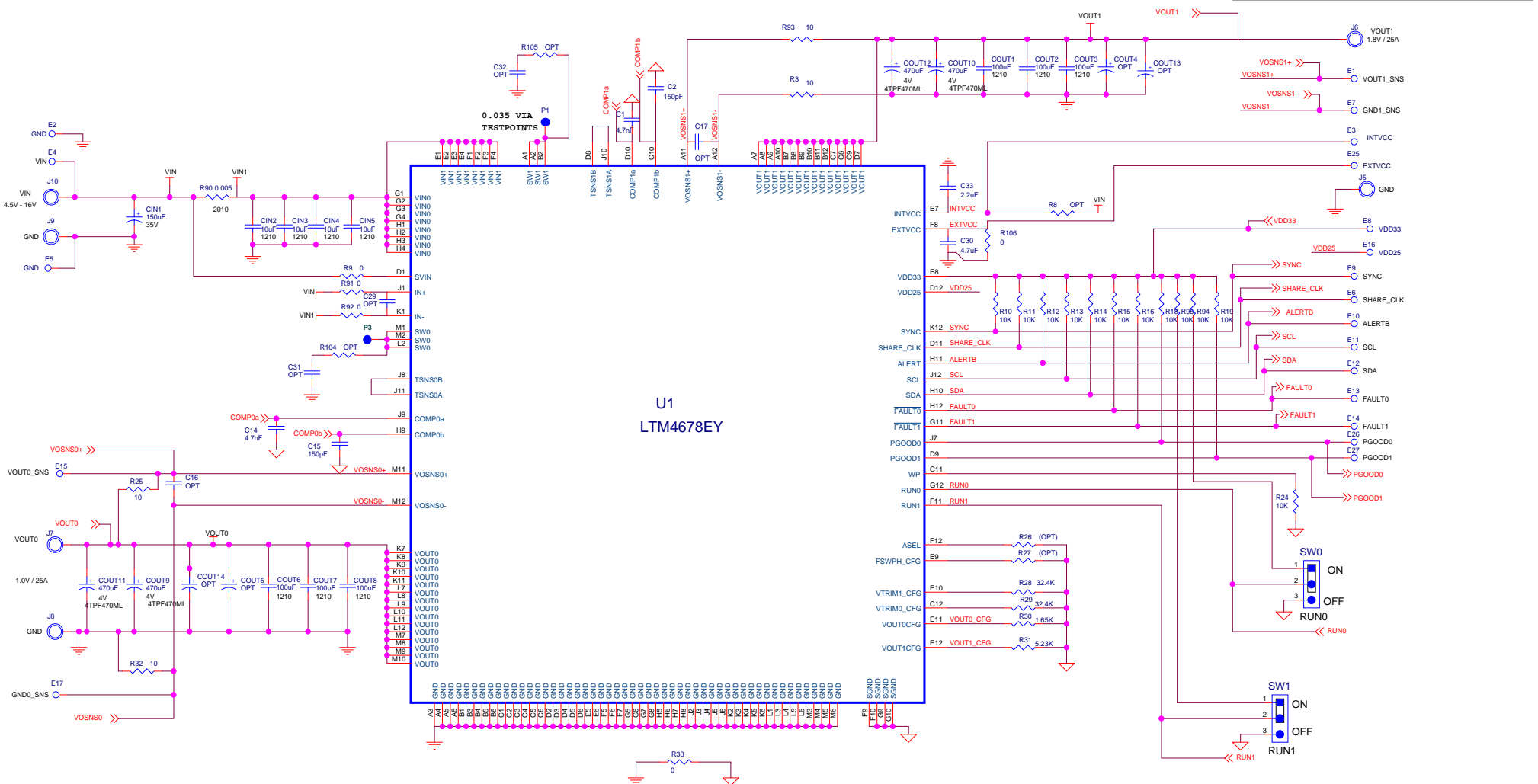


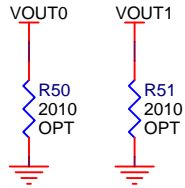
REVISION HISTORY				
ECO	REV	DESCRIPTION	APPROVED	DATE
-	2	PRODUCTION	Simon T.	8-28-17



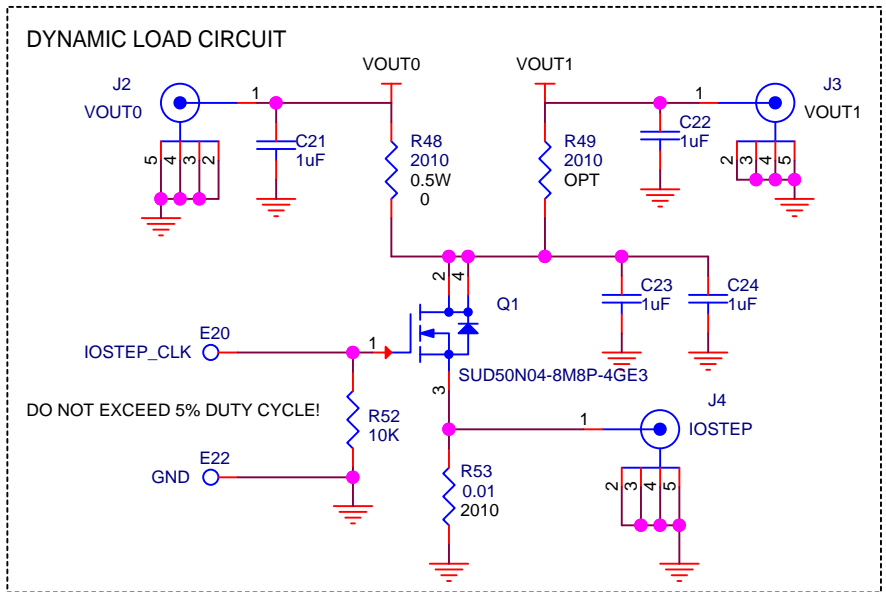
NOTE: UNLESS OTHERWISE SPECIFIED  
1. ALL RESISTORS AND CAP ARE 0603.

<b>CUSTOMER NOTICE</b> LINEAR TECHNOLOGY HAS MADE A BEST EFFORT TO DESIGN A CIRCUIT THAT MEETS CUSTOMER-SUPPLIED SPECIFICATIONS; HOWEVER, IT REMAINS THE CUSTOMER'S RESPONSIBILITY TO VERIFY PROPER AND RELIABLE OPERATION IN THE ACTUAL APPLICATION. COMPONENT SUBSTITUTION AND PRINTED CIRCUIT BOARD LAYOUT MAY SIGNIFICANTLY AFFECT CIRCUIT PERFORMANCE OR RELIABILITY. CONTACT LINEAR TECHNOLOGY APPLICATIONS ENGINEERING FOR ASSISTANCE.		<b>APPROVALS</b> PCB DES. HZ APP ENG. ST		 1630 McCarthy Blvd. Milpitas, CA 95035 Phone: (408)432-1900 www.linear.com Fax: (408)434-0507 LTC Confidential-For Customer Use Only	
THIS CIRCUIT IS PROPRIETARY TO LINEAR TECHNOLOGY AND SUPPLIED FOR USE WITH LINEAR TECHNOLOGY PARTS.		SCALE = NONE		<b>TITLE: SCHEMATIC</b> <b>DUAL STEP-DOWN uMODULE REGULATOR</b> WITH DIGITAL POWER MANAGEMENT SIZE <b>B</b> IC NO. <b>LTM4678EY</b> REV. <b>2</b> <b>DEMO CIRCUIT 2552A</b> DATE: Friday, October 06, 2017 SHEET 1 OF 3	

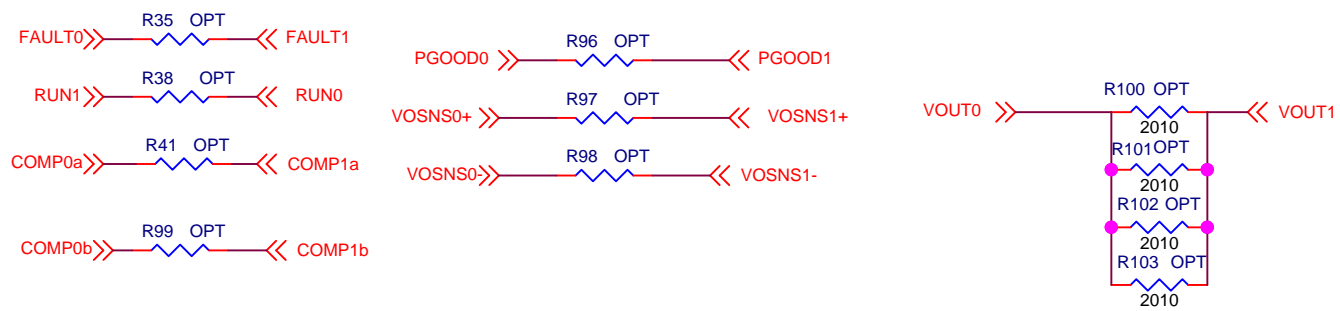
ALL PARTS ON THIS PAGE ARE FOR DEMO ONLY, NOT NEEDED IN CUSTOMER DESIGN



BLEEDER LOADS



OPTIONAL JUMPER FOR DUAL PHASE SINGLE OUTPUT CONFIGURATION



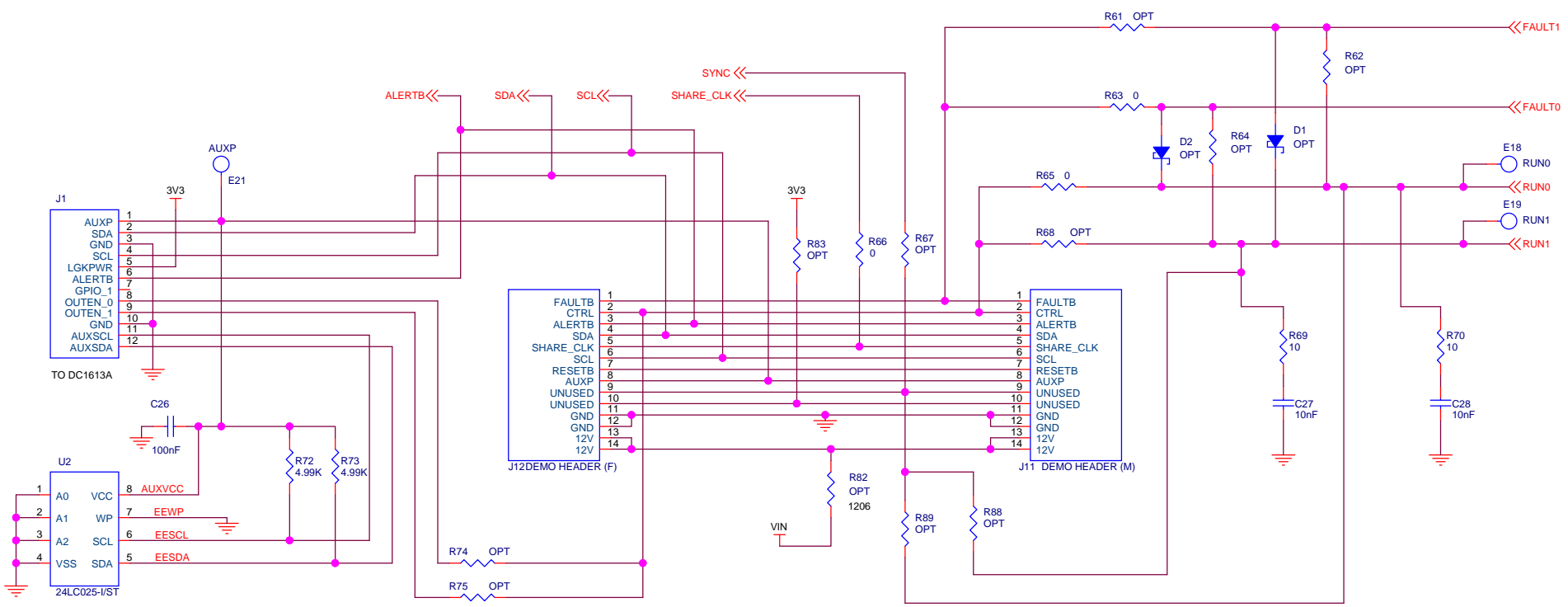
**CUSTOMER NOTICE**  
 LINEAR TECHNOLOGY HAS MADE A BEST EFFORT TO DESIGN A CIRCUIT THAT MEETS CUSTOMER-SUPPLIED SPECIFICATIONS; HOWEVER, IT REMAINS THE CUSTOMER'S RESPONSIBILITY TO VERIFY PROPER AND RELIABLE OPERATION IN THE ACTUAL APPLICATION. COMPONENT SUBSTITUTION AND PRINTED CIRCUIT BOARD LAYOUT MAY SIGNIFICANTLY AFFECT CIRCUIT PERFORMANCE OR RELIABILITY. CONTACT LINEAR TECHNOLOGY APPLICATIONS ENGINEERING FOR ASSISTANCE.  
 THIS CIRCUIT IS PROPRIETARY TO LINEAR TECHNOLOGY AND SUPPLIED FOR USE WITH LINEAR TECHNOLOGY PARTS.

APPROVALS	
PCB DES.	HZ
APP ENG.	ST
SCALE = NONE	

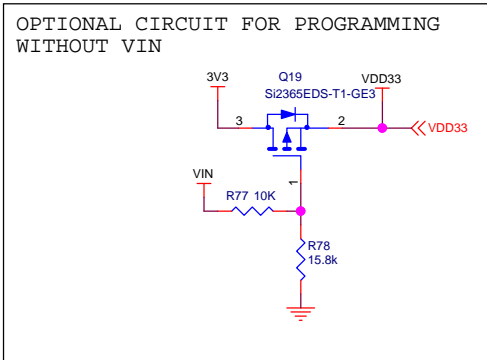
1630 McCarthy Blvd.  
 Milpitas, CA 95035  
 Phone: (408)432-1900 [www.linear.com](http://www.linear.com)  
 Fax: (408)434-0507  
 LTC Confidential-For Customer Use Only

TITLE: SCHEMATIC		
DUAL STEP-DOWN uMODULE REGULATOR WITH DIGITAL POWER MANAGEMENT		
SIZE N/A	IC NO. <b>LTM4678EY</b> <b>DEMO CIRCUIT 2552A</b>	REV. <b>2</b>
DATE: <b>Friday, October 06, 2017</b>		SHEET <b>2</b> OF <b>3</b>

ALL PARTS ON THIS PAGE ARE FOR DEMO BOARD ONLY, NOT NEEDED IN CUSTOMER DESIGN



PSM STACKING CONNECTORS:  
 J12, FEMALE, CONN RECEPT 2MM DUAL R/A 14POS, Sullins Conn. NPPN072FJFN-RC  
 J11, MALE, CONN HEADER 14POS 2MM R/A GOLD, Molex Connector Corp. 87760-1416



<b>CUSTOMER NOTICE</b> LINEAR TECHNOLOGY HAS MADE A BEST EFFORT TO DESIGN A CIRCUIT THAT MEETS CUSTOMER-SUPPLIED SPECIFICATIONS; HOWEVER, IT REMAINS THE CUSTOMER'S RESPONSIBILITY TO VERIFY PROPER AND RELIABLE OPERATION IN THE ACTUAL APPLICATION. COMPONENT SUBSTITUTION AND PRINTED CIRCUIT BOARD LAYOUT MAY SIGNIFICANTLY AFFECT CIRCUIT PERFORMANCE OR RELIABILITY. CONTACT LINEAR TECHNOLOGY APPLICATIONS ENGINEERING FOR ASSISTANCE.		<b>APPROVALS</b>		 1630 McCarthy Blvd. Milpitas, CA 95035 Phone: (408)432-1900 www.linear.com Fax: (408)434-0507 LTC Confidential-For Customer Use Only	
		PCB DES.	HZ		
THIS CIRCUIT IS PROPRIETARY TO LINEAR TECHNOLOGY AND SUPPLIED FOR USE WITH LINEAR TECHNOLOGY PARTS.		SCALE = NONE		<b>TITLE: SCHEMATIC</b> <b>DUAL STEP-DOWN uMODULE REGULATOR</b> <b>WITH DIGITAL POWER MANAGEMENT</b>	
		SIZE B	IC NO. <b>LTM4678EY</b>	<b>DEMO CIRCUIT 2552A</b>	
		DATE: Friday, October 06, 2017		SHEET 3 OF 3	