

<p>THIS DRAWING IS THE PROPERTY OF ANALOG DEVICES INC. IT IS NOT TO BE REPRODUCED OR COPIED, IN WHOLE OR IN PART, OR USED IN FURNISHING INFORMATION TO OTHERS, OR FOR ANY OTHER PURPOSE DETRIMENTAL TO THE INTERESTS OF ANALOG DEVICES. THE EQUIPMENT SHOWN HEREON MAY BE PROTECTED BY PATENTS OWNED OR CONTROLLED BY ANALOG DEVICES.</p>				
RELAY CONTROL CHART				
CONTROL	CODE	DEVICE	FUNCTION	CONNECTOR

JUMPER TABLE		
JP#	ON	OFF
1		
2		
3		
4		
5		

\* SEE ASSEMBLY INSTRUCTIONS

REVISIONS			
REV	DESCRIPTION	DATE	APPROVED
A	INITIAL RELEASE	31OCT12	D.LETOURNEAU
B	AS PER ECR-082132	10SEP18	D.LETOURNEAU
	AS PER ECR-084109	22JAN19	D.LETOURNEAU
	AS PER ECR-083912	22JUL19	D.LETOURNEAU
	AS PER ECR-94871	27MAY20	D.LETOURNEAU

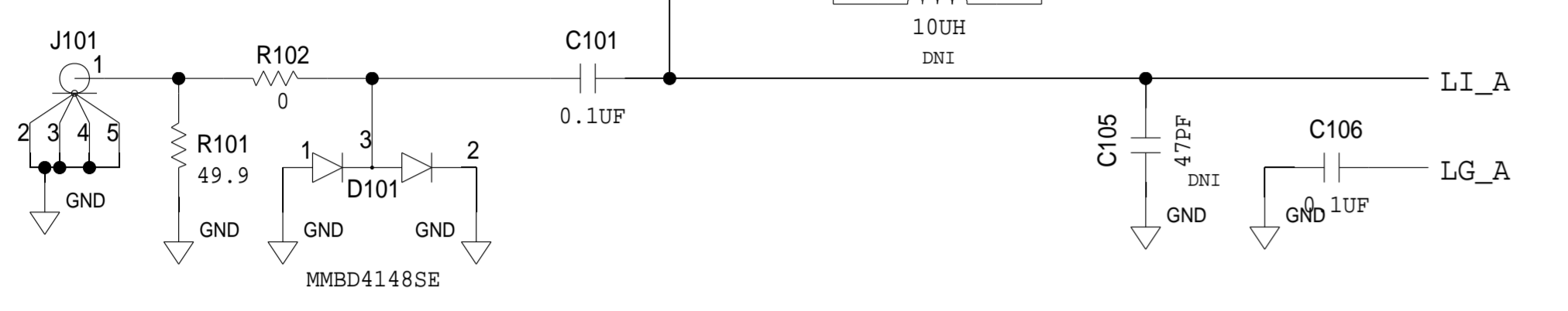
P.O SPEC.	BK/BD SPEC.	SOCKET OEM	OEM PART#	HANDLER

TEMPLATE ENGINEER -	DATE 07JUN12	<h1>SCHEMATIC</h1>		
HARDWARE SERVICES -	07JUN12	HW TYPE : Customer Evaluation Product(s): AD9279-65EBZ : AD9278-50EBZ PACKAGE : 144-lead 10X10X1.4 BGA-family		
HARDWARE SYSTEMS -	07JUN12			
TEST ENGINEER -	-----			
COMPONENT ENGINEER -	07JUN12			
TEST PROCESS -	-----			
HARDWARE RELEASE -	-----			
DESIGNER -	31OCT12	MASTER PROJECT TEMPLATE TBD	TESTER TEMPLATE no_template	DRAWING NO. <b>02_049678</b>
PTD ENGINEER -	31OCT12	UNLESS OTHERWISE SPECIFIED DIMENSIONS ARE IN INCHES		REV. <b>B</b>
CHECKER -	-----	TOLERANCES		
		DECIMALS X.XX +0.010 X.XXX +0.005	FRACTIONS +1/32	ANGLES +2
		SIZE <b>D</b>	SCALE 1:1	CODE ID NO. CodeID
				SHEET <b>1</b> OF <b>7</b>

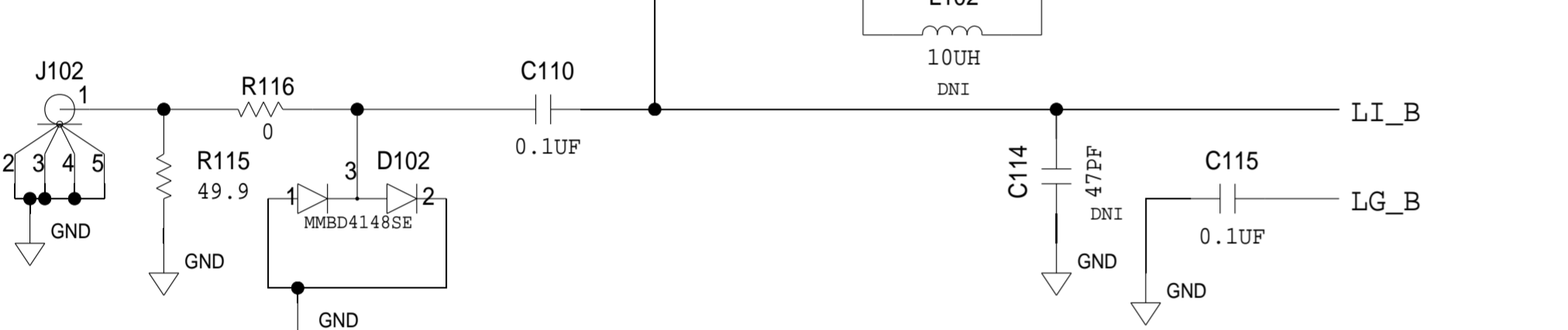
REVISIONS			
REV	DESCRIPTION	DATE	APPROVED

# ANALOG INPUTS

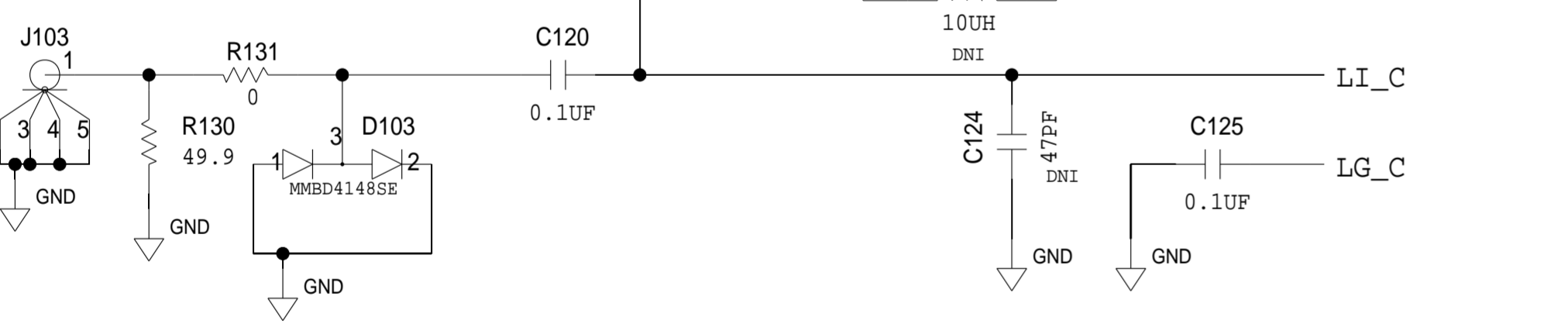
## CHANNEL A INPUT



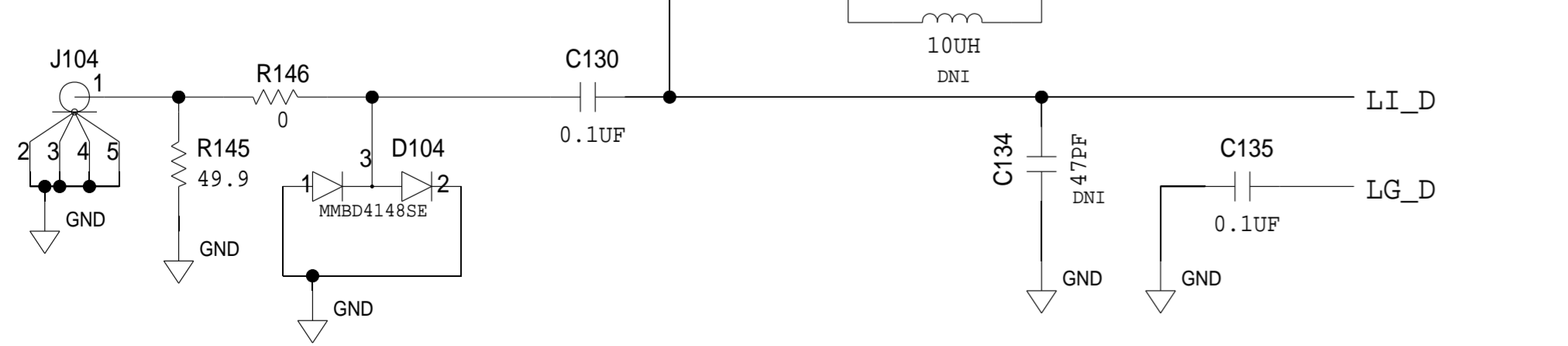
## CHANNEL B INPUT



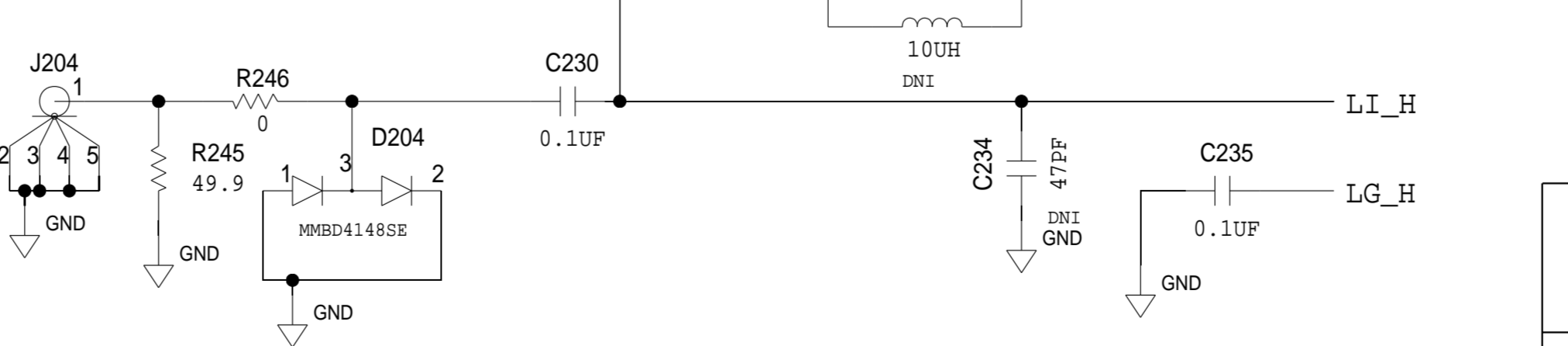
## CHANNEL C INPUT



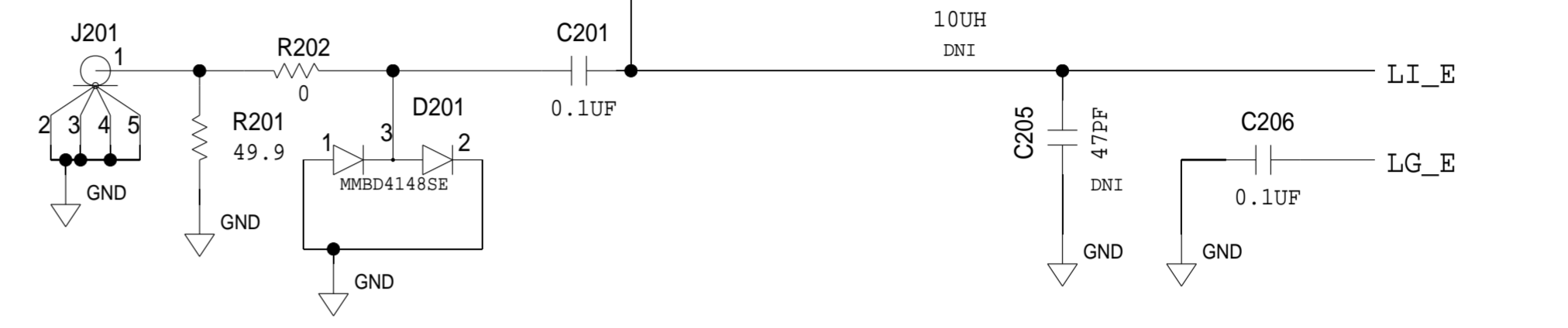
## CHANNEL D INPUT



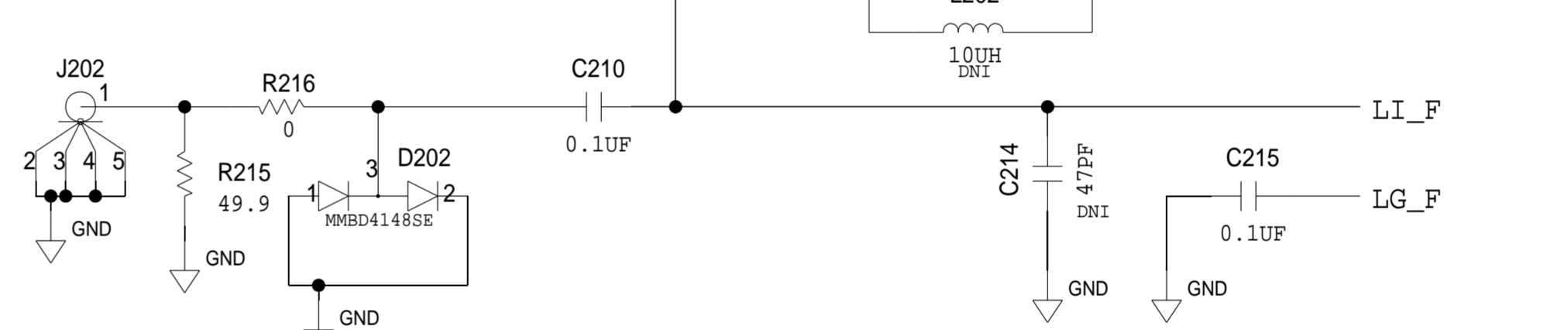
## CHANNEL H INPUT



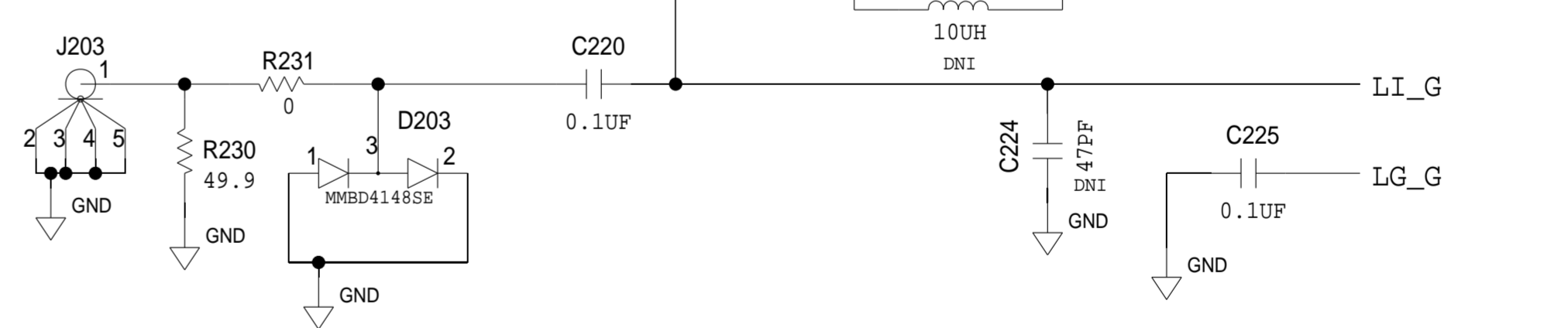
## CHANNEL E INPUT



## CHANNEL F INPUT

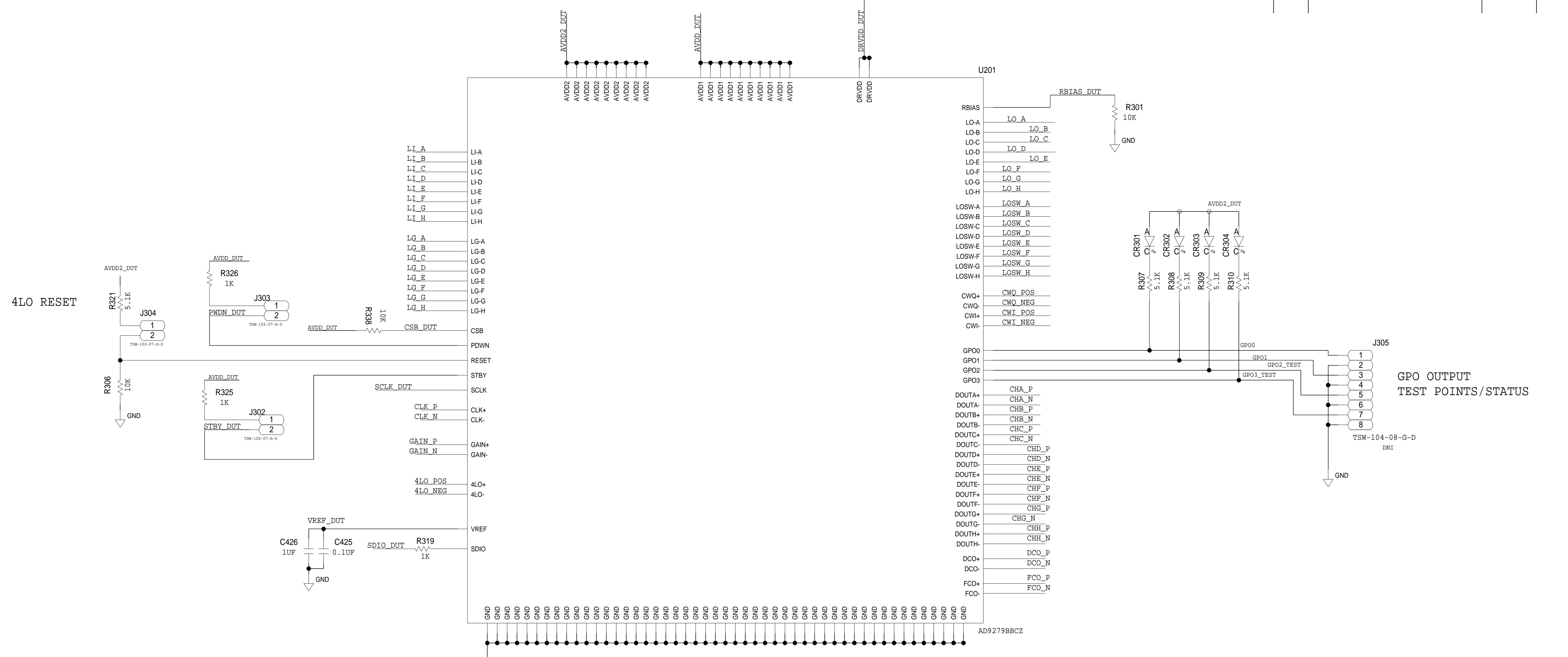


## CHANNEL G INPUT

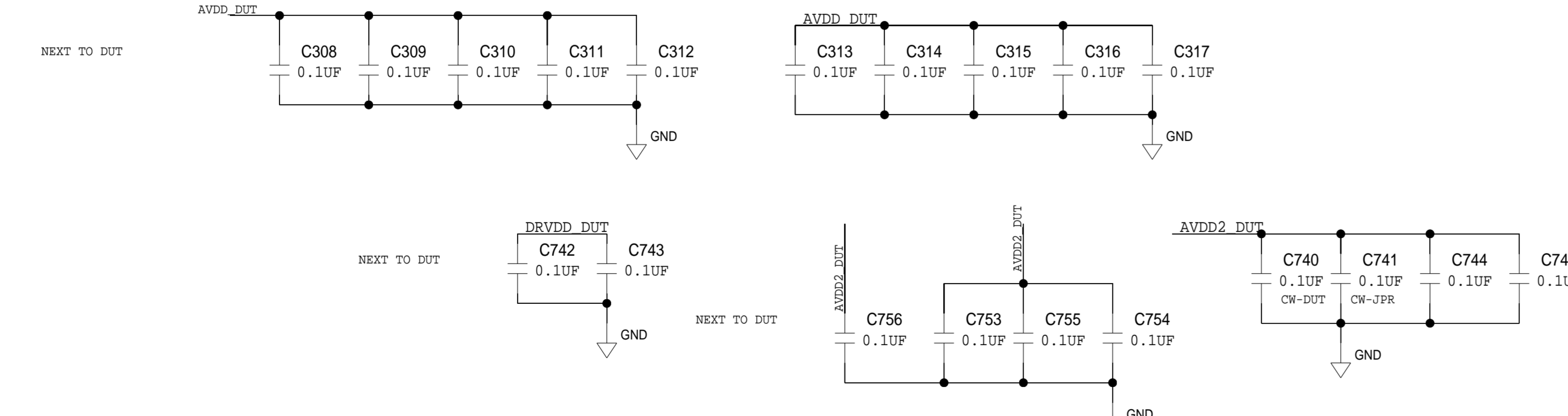


	<b>SCHEMATIC</b>		
	HW TYPE : Customer Evaluation Product(s) : AD9279-65EBZ : AD9278-50EBZ		
	DESIGN VIEW	DRAWING NO.	REV
	-	02_049678	B
PTD ENGINEER	SIZE	SCALE	SHEET 2 OF 7
-	D	1:1	

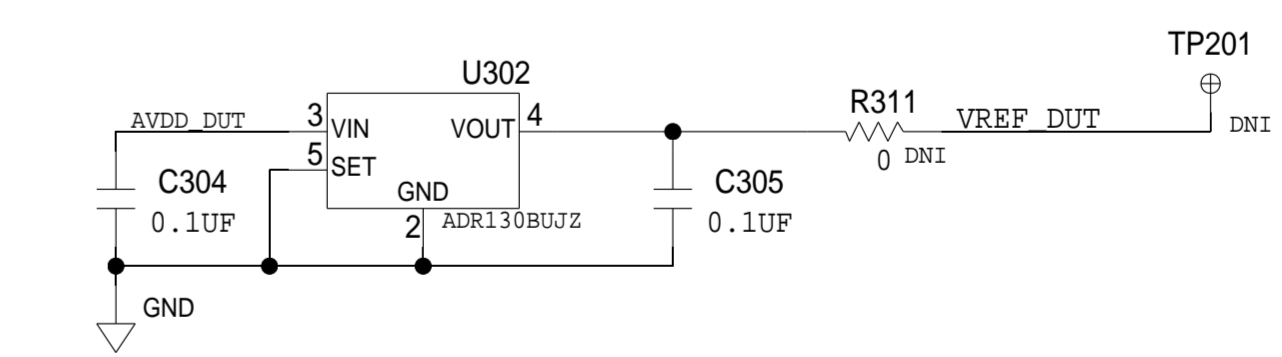
REVISIONS			
REV	DESCRIPTION	DATE	APPROVED



DECOUPLING CAPACITORS



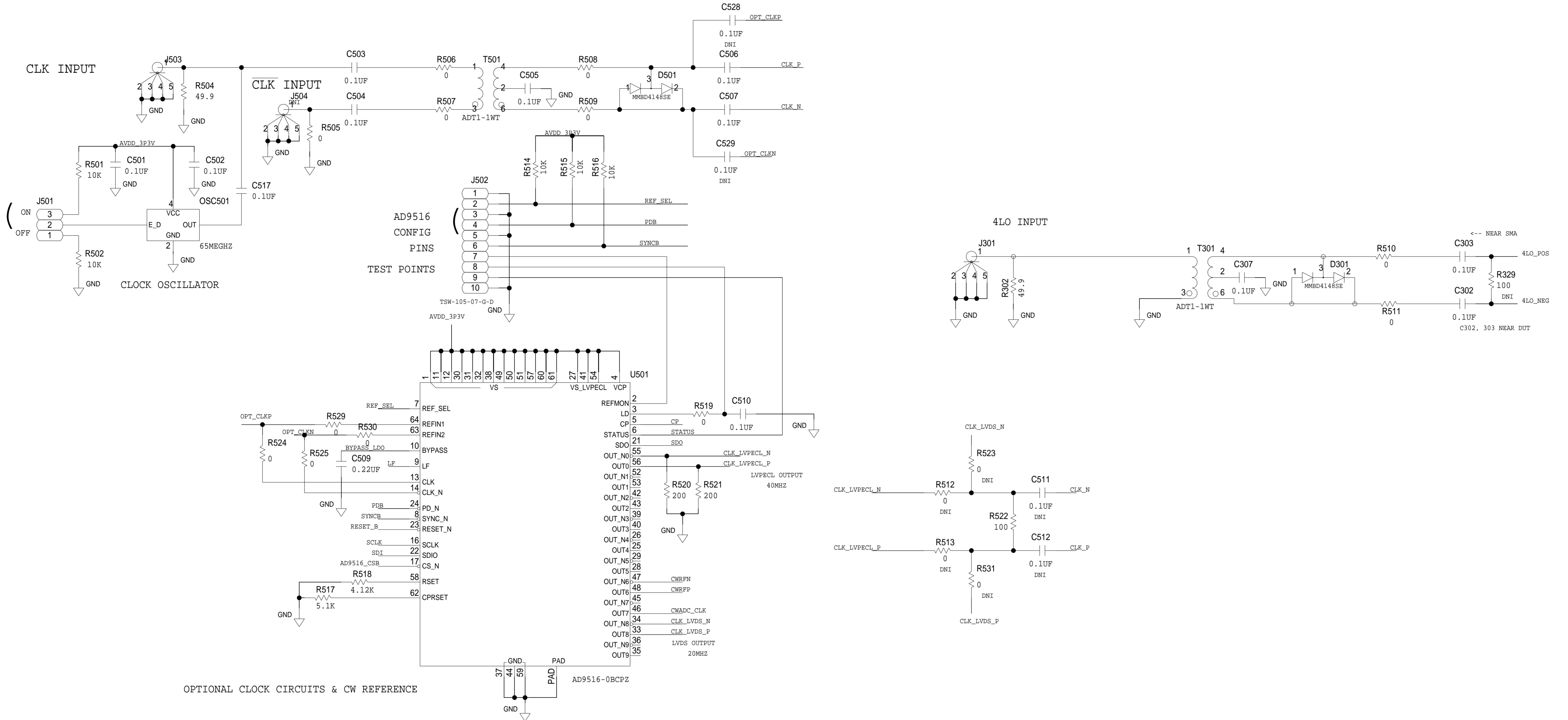
EXTERNAL VREF (OPTIONAL)



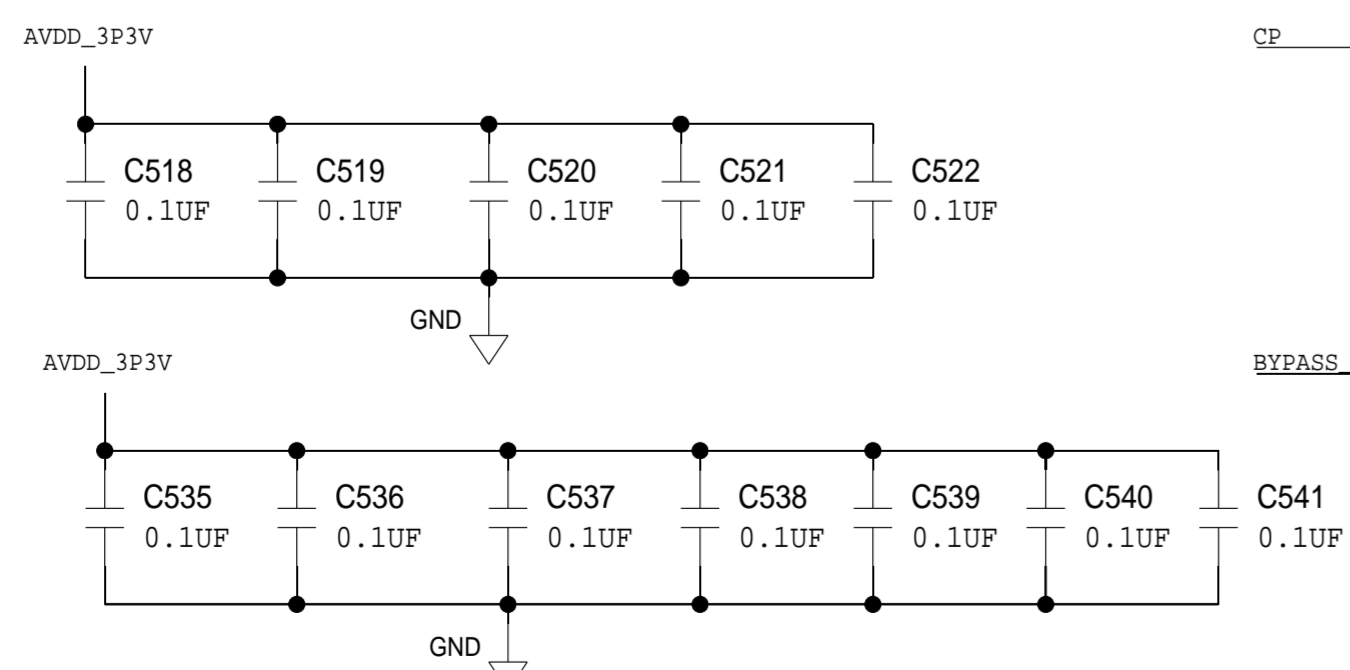
SCHEMATIC			
		HW TYPE : Customer Evaluation Product(s) : AD9279-65EBZ : AD9278-50EBZ	
DESIGN VIEW	-	DRAWING NO.	02_049678
PTD ENGINEER	-	REV	B
SIZE	D	SCALE	1:1
		SHEET	3 OF 7

REVISIONS			
REV	DESCRIPTION	DATE	APPROVED

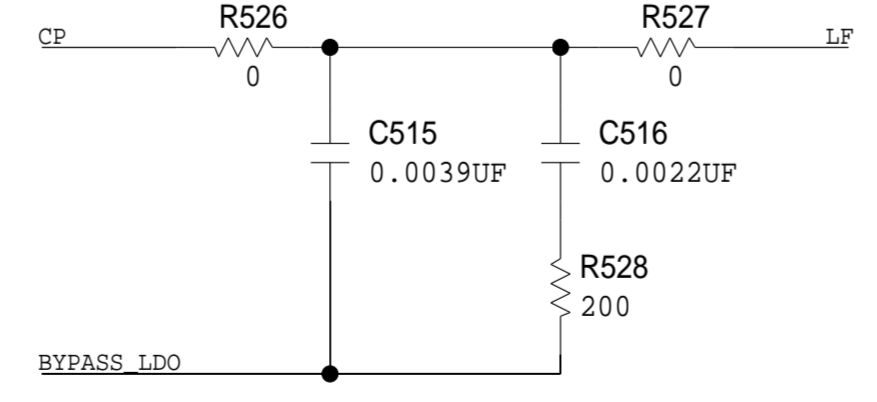
### CLOCK DRIVE INPUT OPTIONS



#### DECOUPLING CAPACITORS



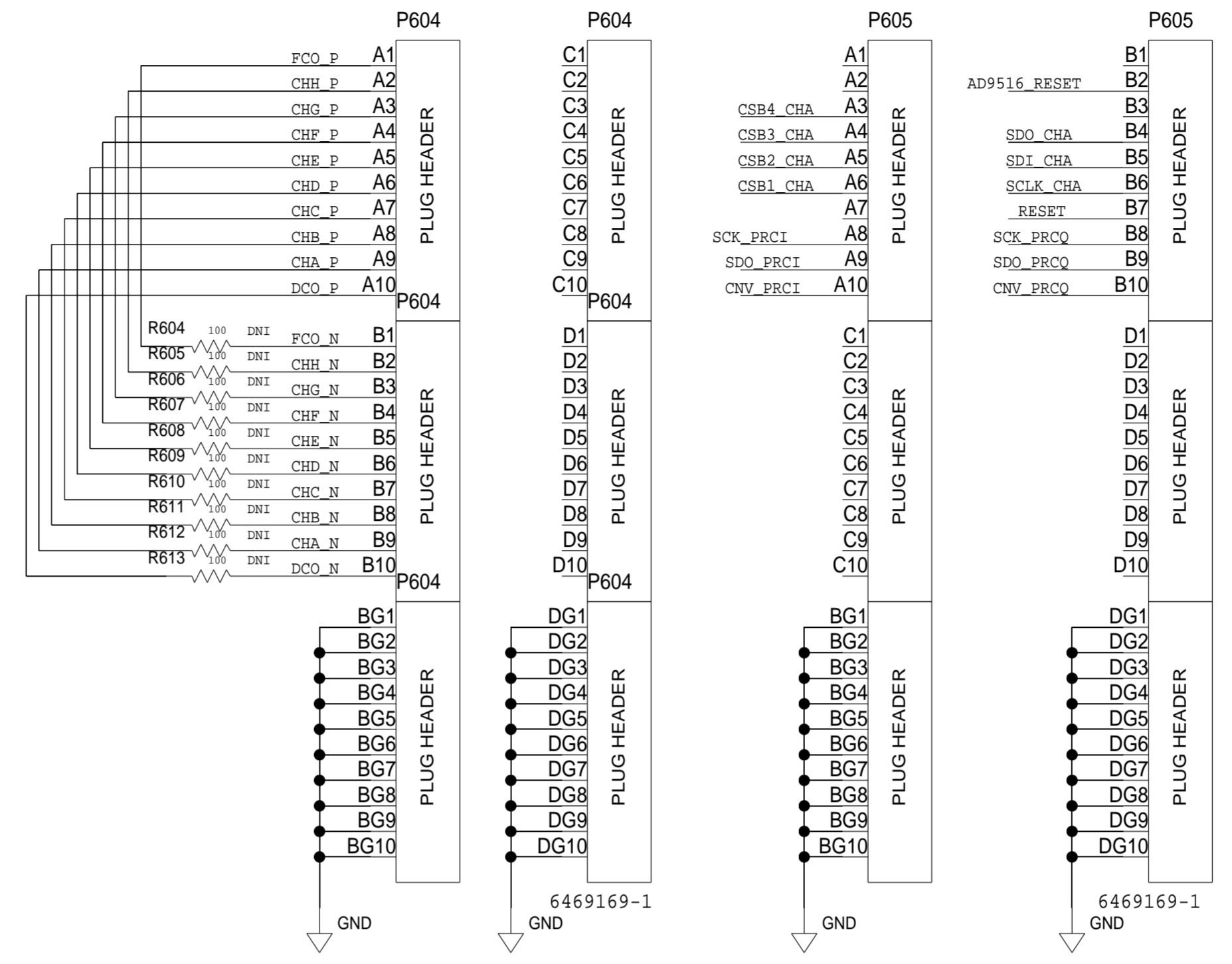
#### CHARGE PUMP FILTER



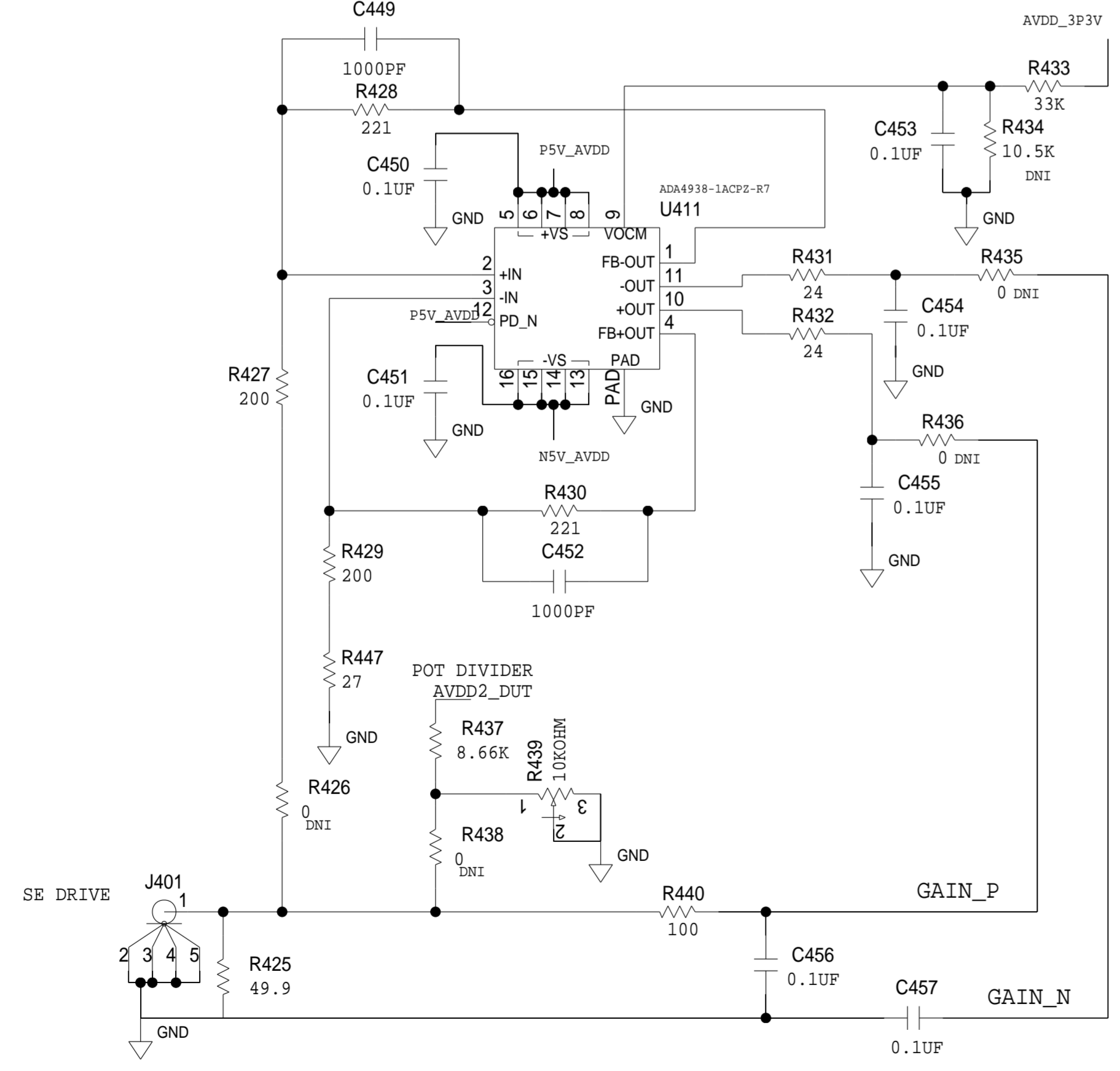
	<b>SCHEMATIC</b>		
	HW TYPE : Customer Evaluation Product(s) : AD9279-65EBZ : AD9278-50EBZ		
	DESIGN VIEW	DRAWING NO.	REV
	-	02_049678	B
PTD ENGINEER	SIZE	SCALE	SHEET 4 OF 7
-	D	1:1	

REVISIONS			
REV	DESCRIPTION	DATE	APPROVED

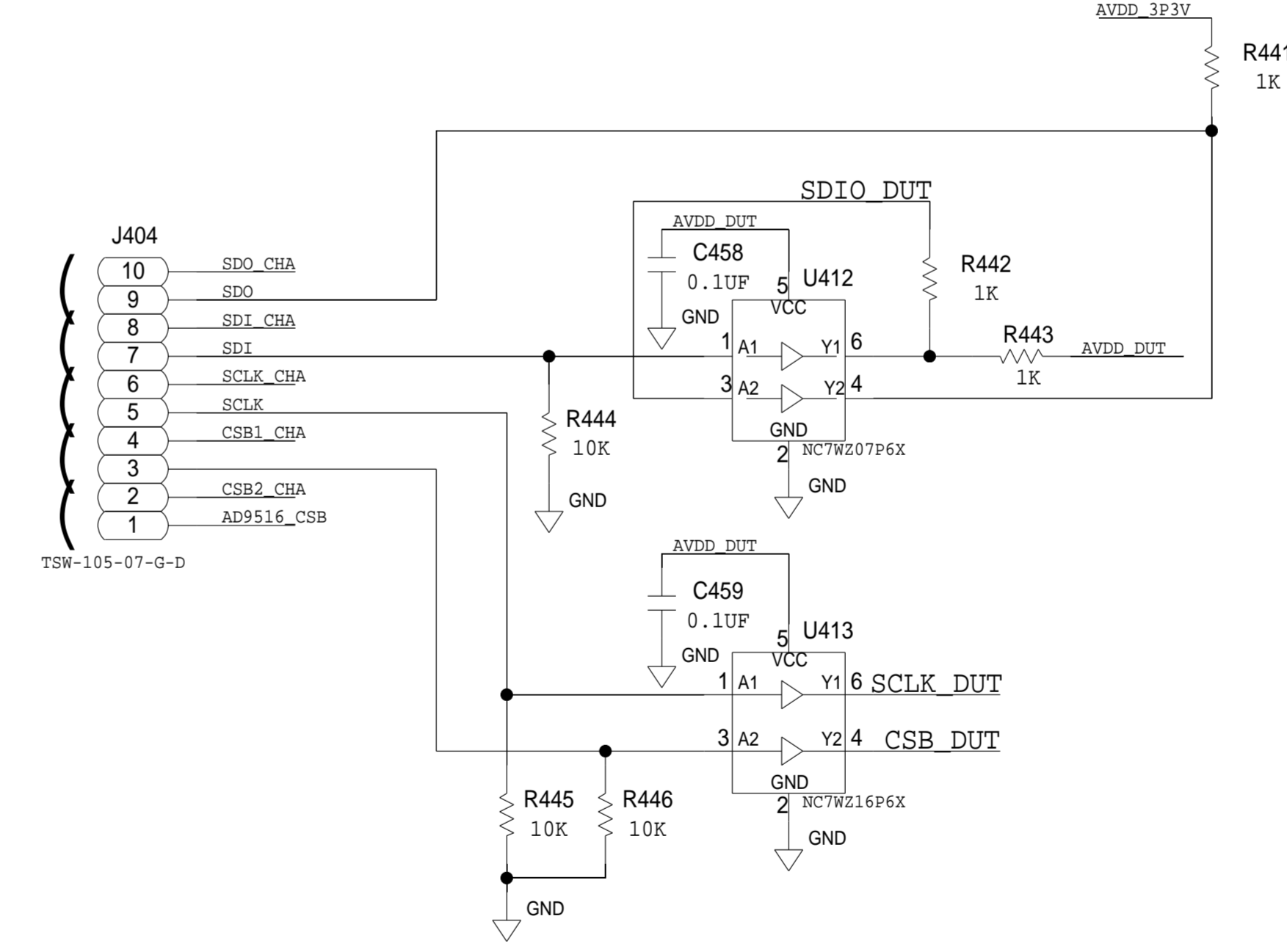
### DIGITAL OUTPUTS & SPI TO FIFO5



### GAIN DRIVE OPTIONS



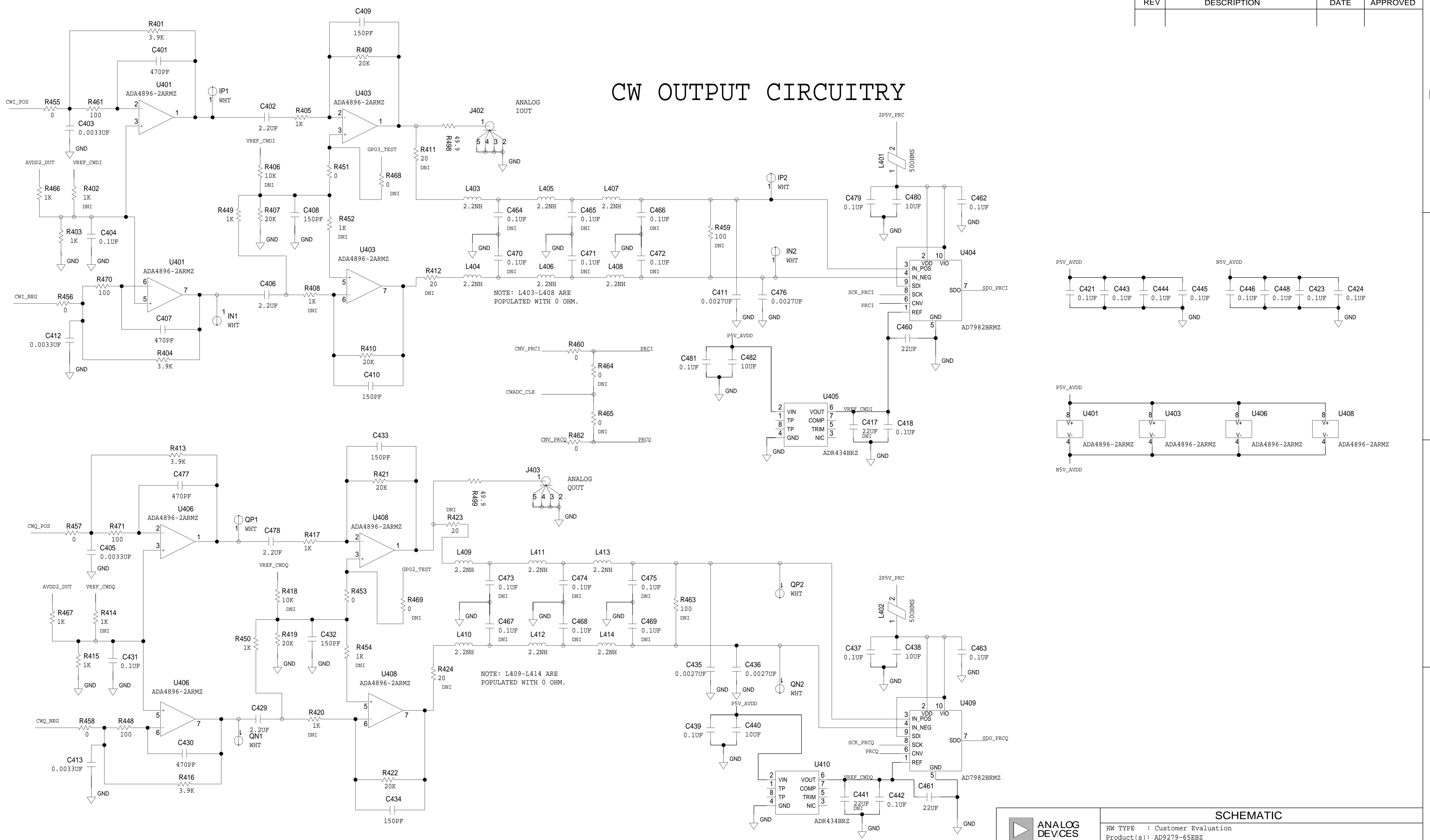
### SPI CIRCUITRY



	<b>SCHEMATIC</b>		
	HW TYPE : Customer Evaluation Product(s) : AD9279-65EBZ : AD9278-50EBZ		
DESIGN VIEW	DRAWING NO.		REV
-	02_049678		B
PTD ENGINEER	SIZE	SCALE	SHEET 5 OF 7
-	D	1:1	

REVISIONS			
REV	DESCRIPTION	DATE	APPROVED

# CW OUTPUT CIRCUITRY

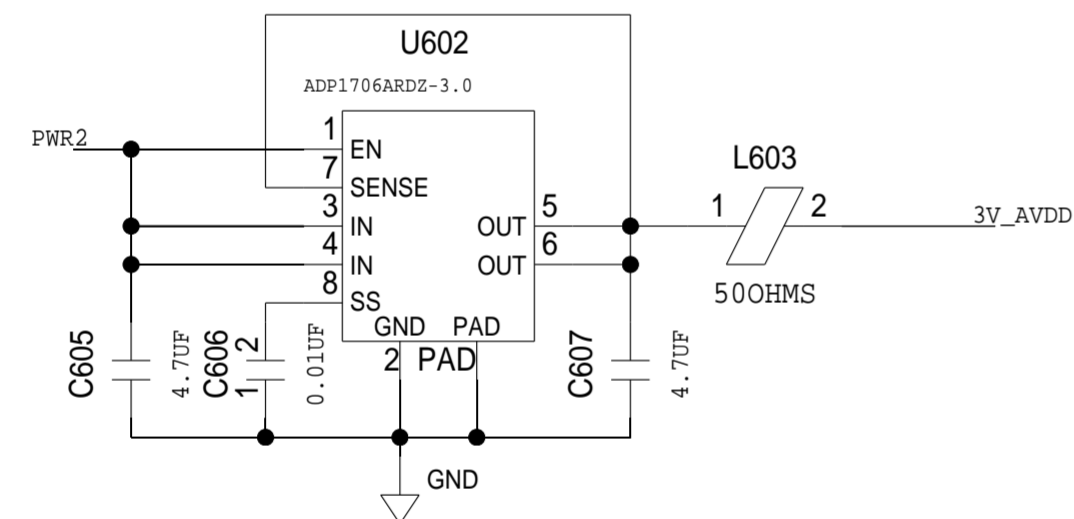
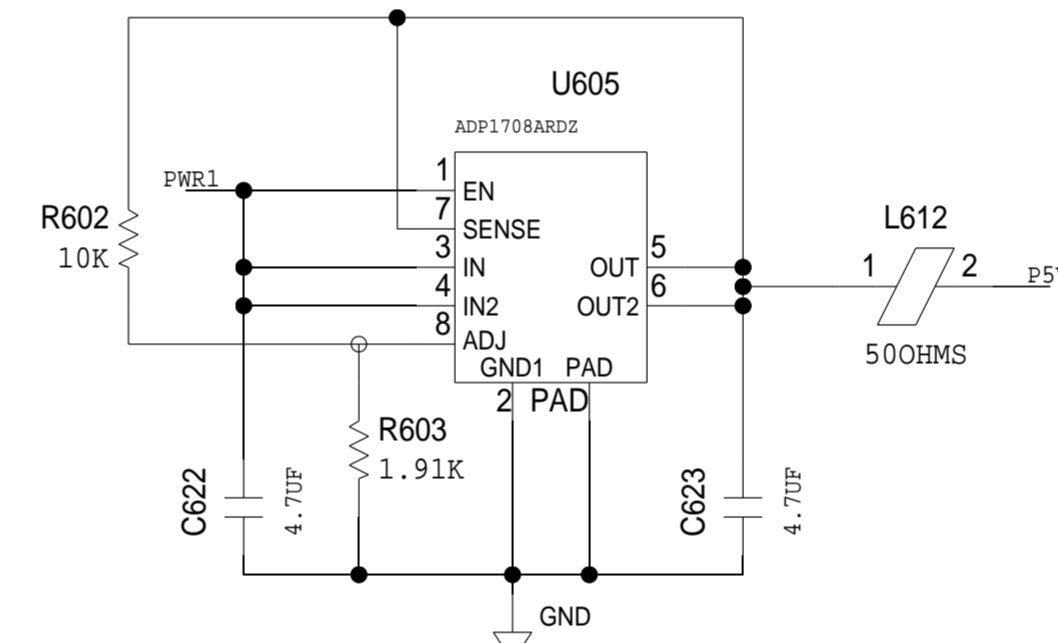
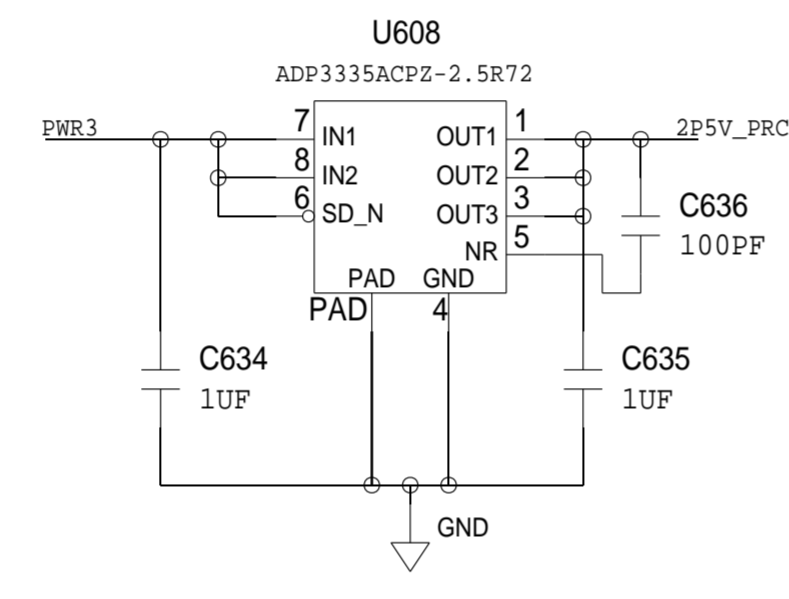
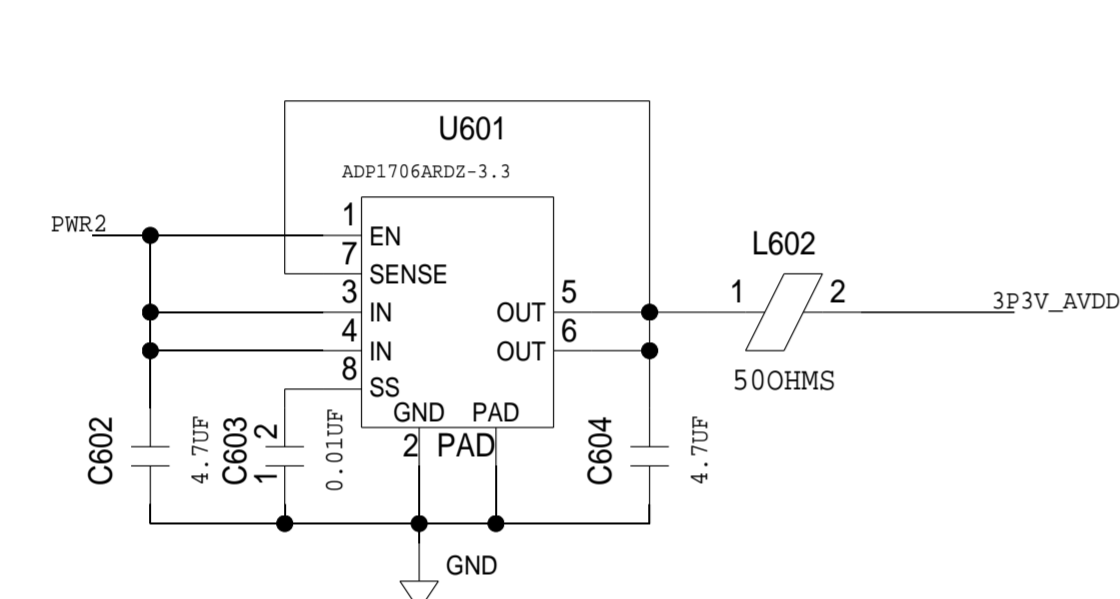
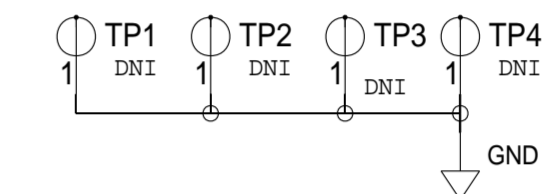
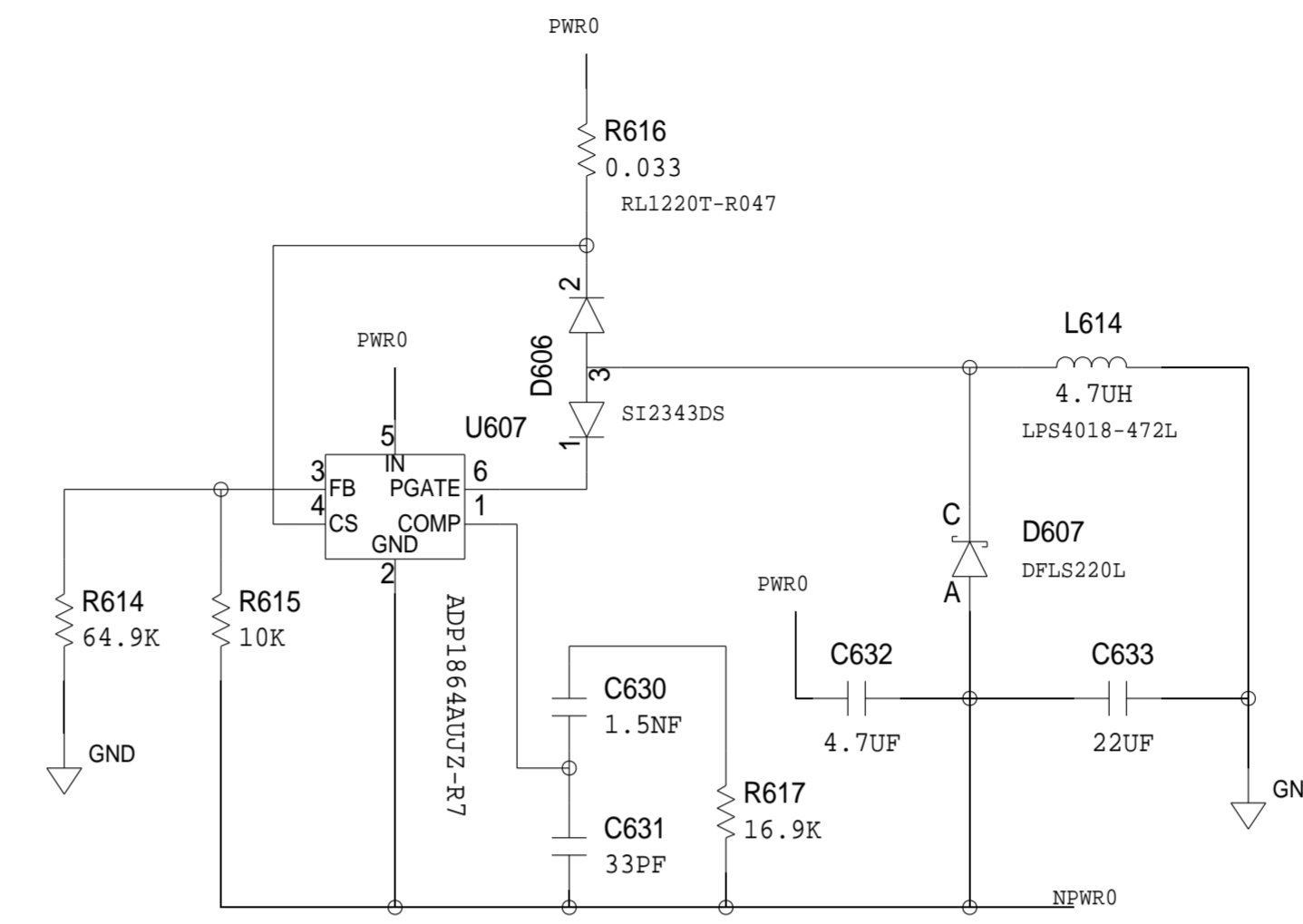
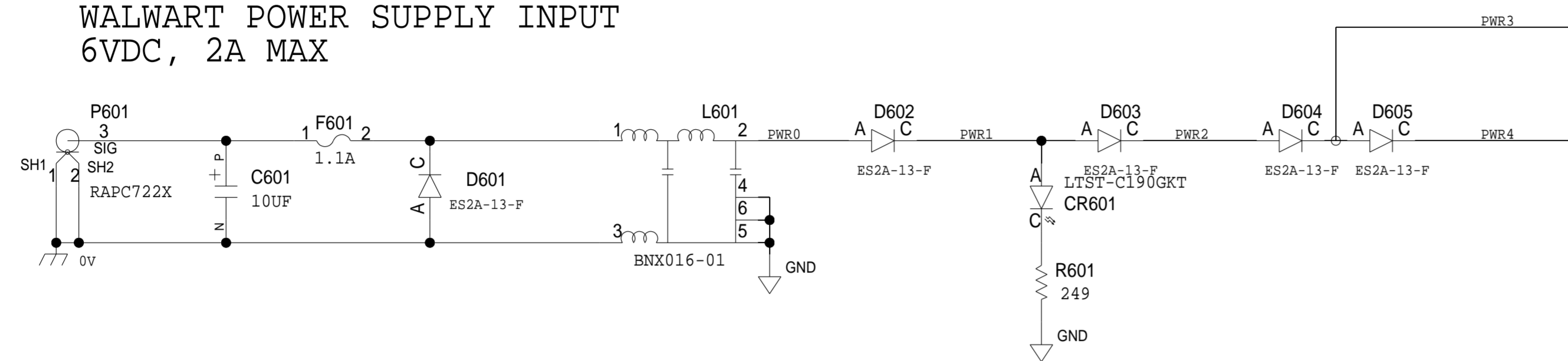


	<b>SCHEMATIC</b>		
	HW TYPE : Customer Evaluation Product(s) : AD9279-65EBZ : AD9278-50EBZ		
DESIGN VIEW	DRAWING NO.		REV
-	02_049678		B
PTD ENGINEER	SIZE	SCALE	SHEET 6 OF 7
-	D	1:1	

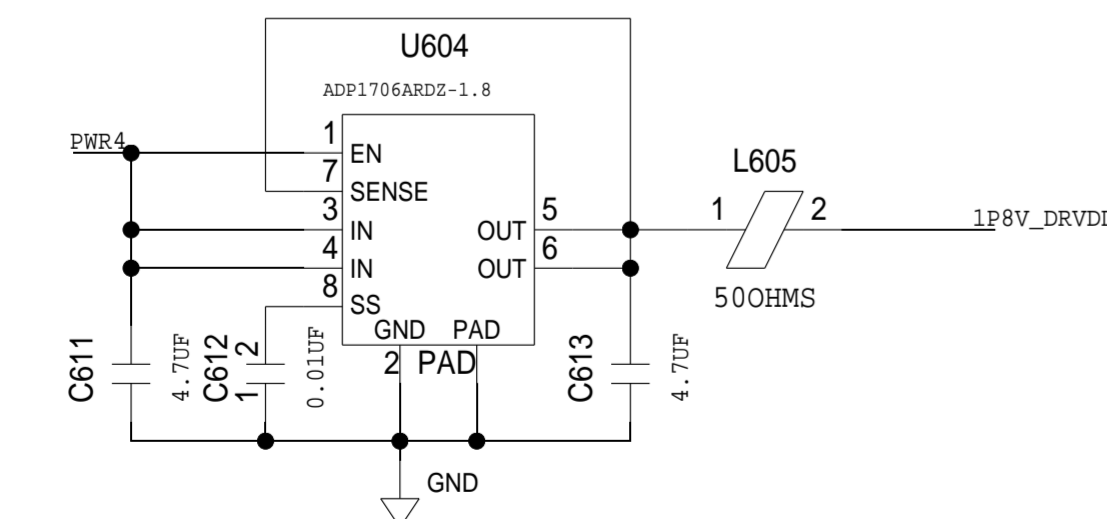
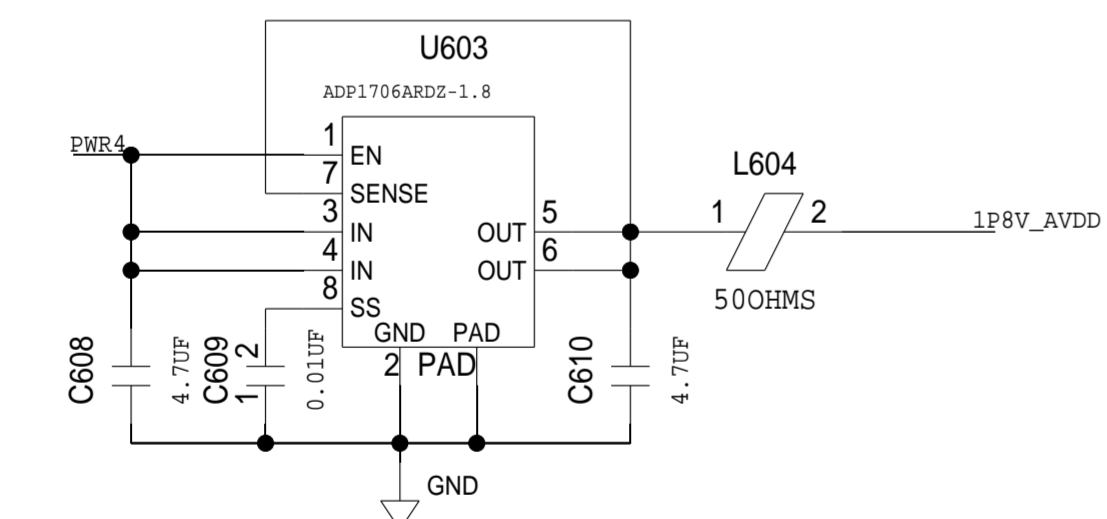
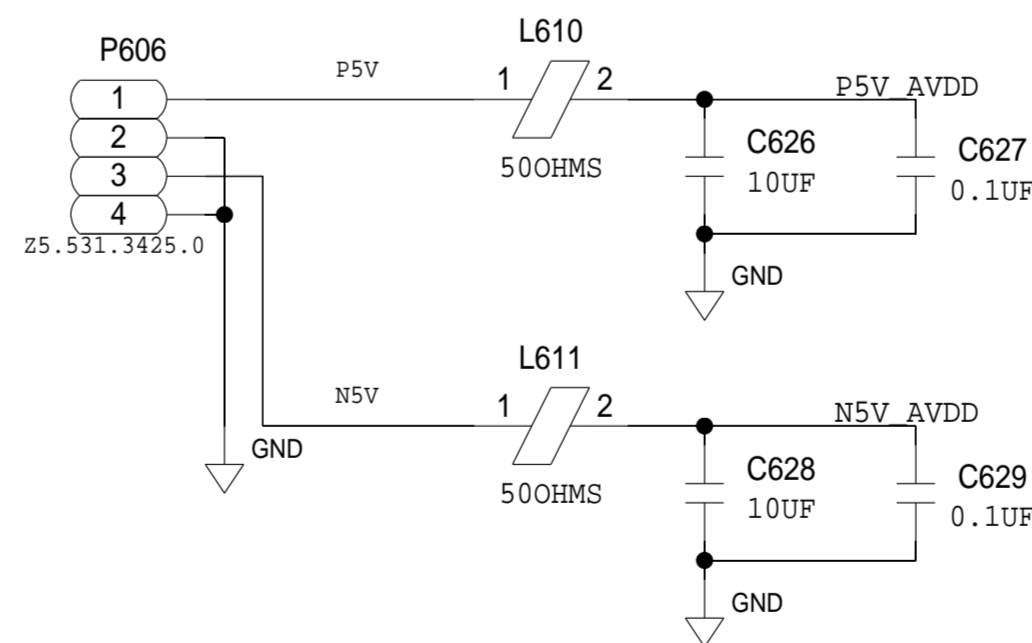
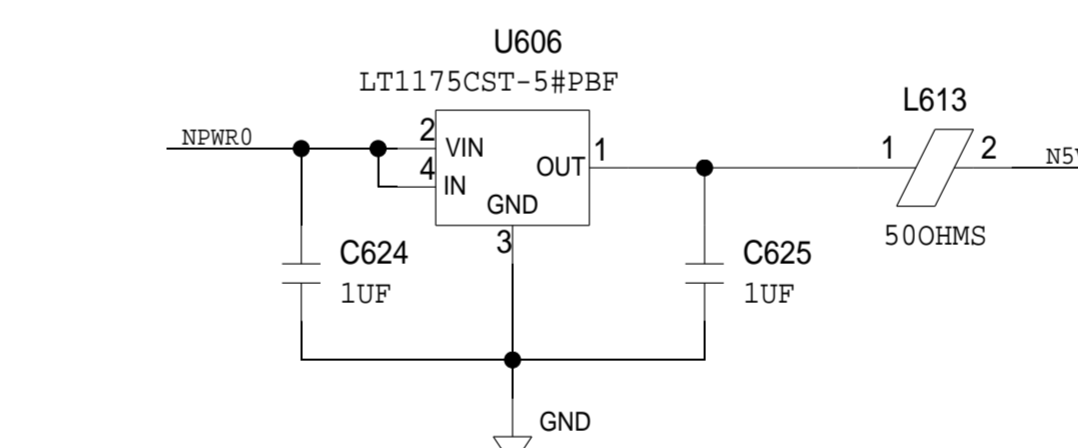
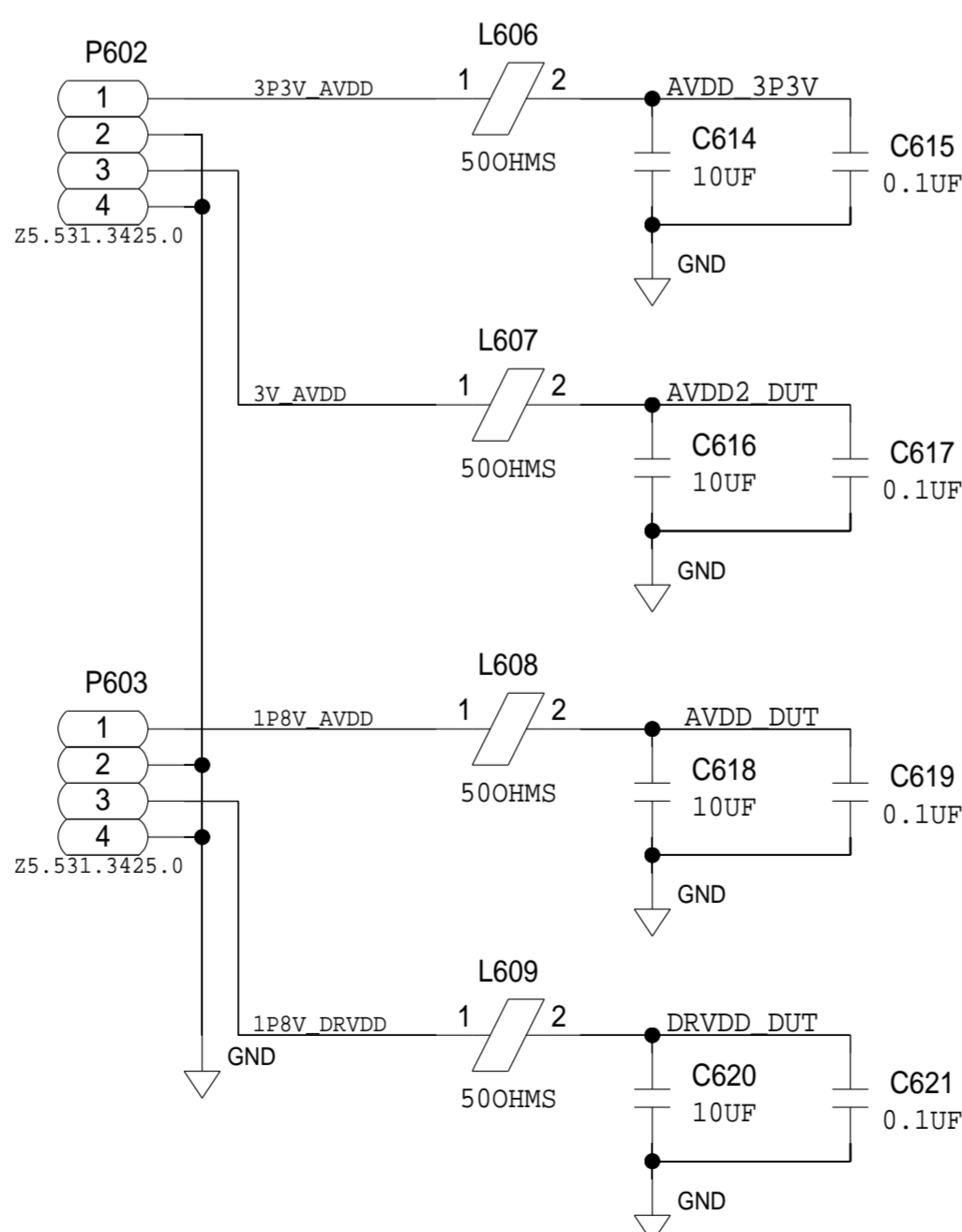
REVISIONS			
REV	DESCRIPTION	DATE	APPROVED

# POWER SUPPLY

WALWART POWER SUPPLY INPUT  
6VDC, 2A MAX



## OPTIONAL POWER CONNECTIONS



ANALOG DEVICES		SCHEMATIC	
HW TYPE : Customer Evaluation Product(s) : AD9279-65EBZ : AD9278-50EBZ		DESIGN VIEW : -	REV : B
DRAWING NO. : 02_049678		SCALE : 1:1	SHEET 7 OF 7
PTD ENGINEER : -		SIZE : D	