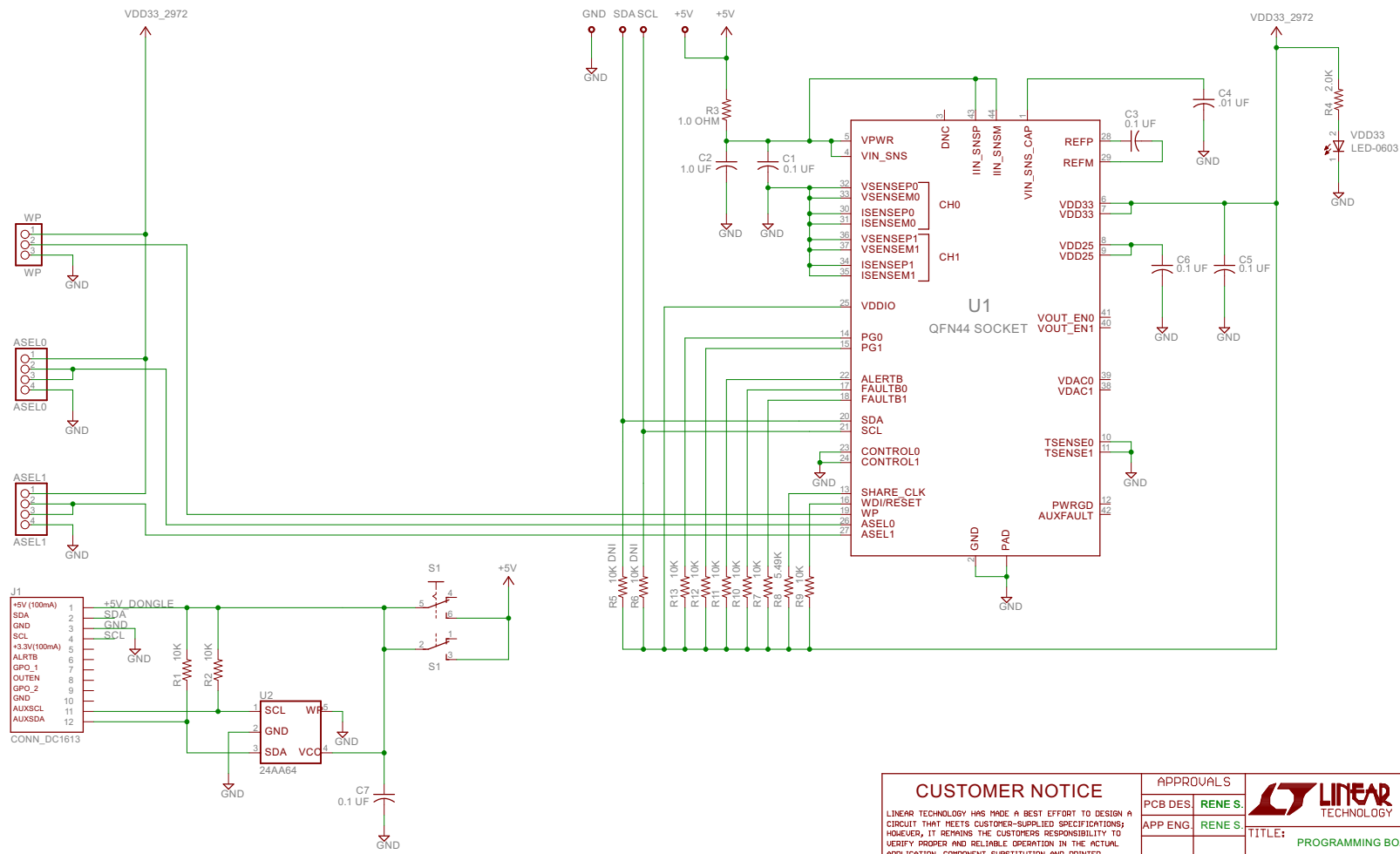


REVISION HISTORY			
ECO	REV	DESCRIPTION	DATE
-	-	-	-



CUSTOMER NOTICE

LINEAR TECHNOLOGY HAS MADE A BEST EFFORT TO DESIGN A CIRCUIT THAT MEETS CUSTOMER-SUPPLIED SPECIFICATIONS; HOWEVER, IT REMAINS THE CUSTOMER'S RESPONSIBILITY TO VERIFY PROPER AND RELIABLE OPERATION IN THE ACTUAL APPLICATION. COMPONENT SUBSTITUTION AND PRINTED CIRCUIT BOARD LAYOUT MAY SIGNIFICANTLY AFFECT CIRCUIT PERFORMANCE OR RELIABILITY. CONTACT LINEAR TECHNOLOGY APPLICATIONS ENGINEERING FOR ASSISTANCE.

THIS CIRCUIT IS PROPRIETARY TO LINEAR TECHNOLOGY AND SUPPLIED FOR USE WITH LINEAR TECHNOLOGY PARTS.

APPROVALS	
PCB DES:	RENE S.
APP ENG:	RENE S.
SCALE = NONE	

LINEAR TECHNOLOGY

1630 McCarthy Blvd.
Folsom, CA 95635
Phone: (480) 432-1900
Fax: (480) 434-8582
www.linear.com

LTC CONFIDENTIAL FOR CUSTOMER USE ONLY

TITLE: **PROGRAMMING BOARD FOR LTC2972**

SIZE	IC NO.	REV:
B	LTC2972	A

DATE: not saved! SHEET: 1/1