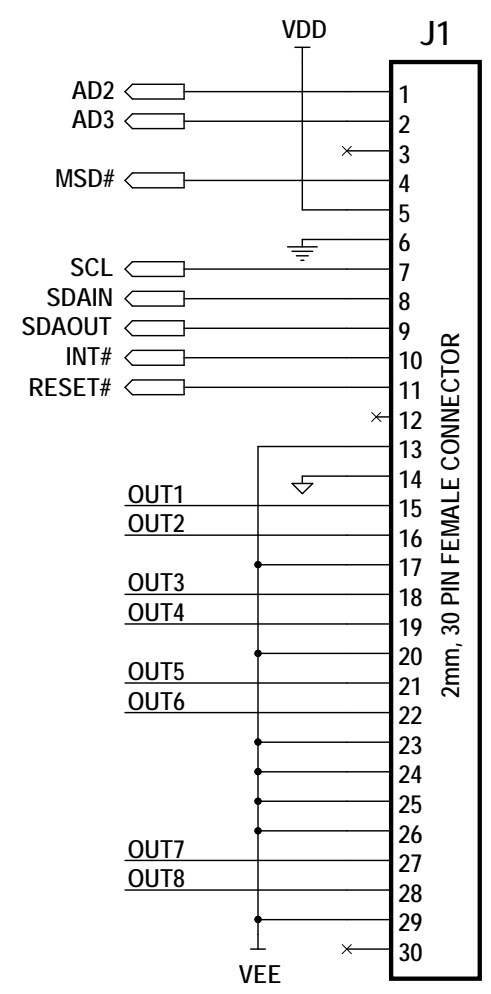
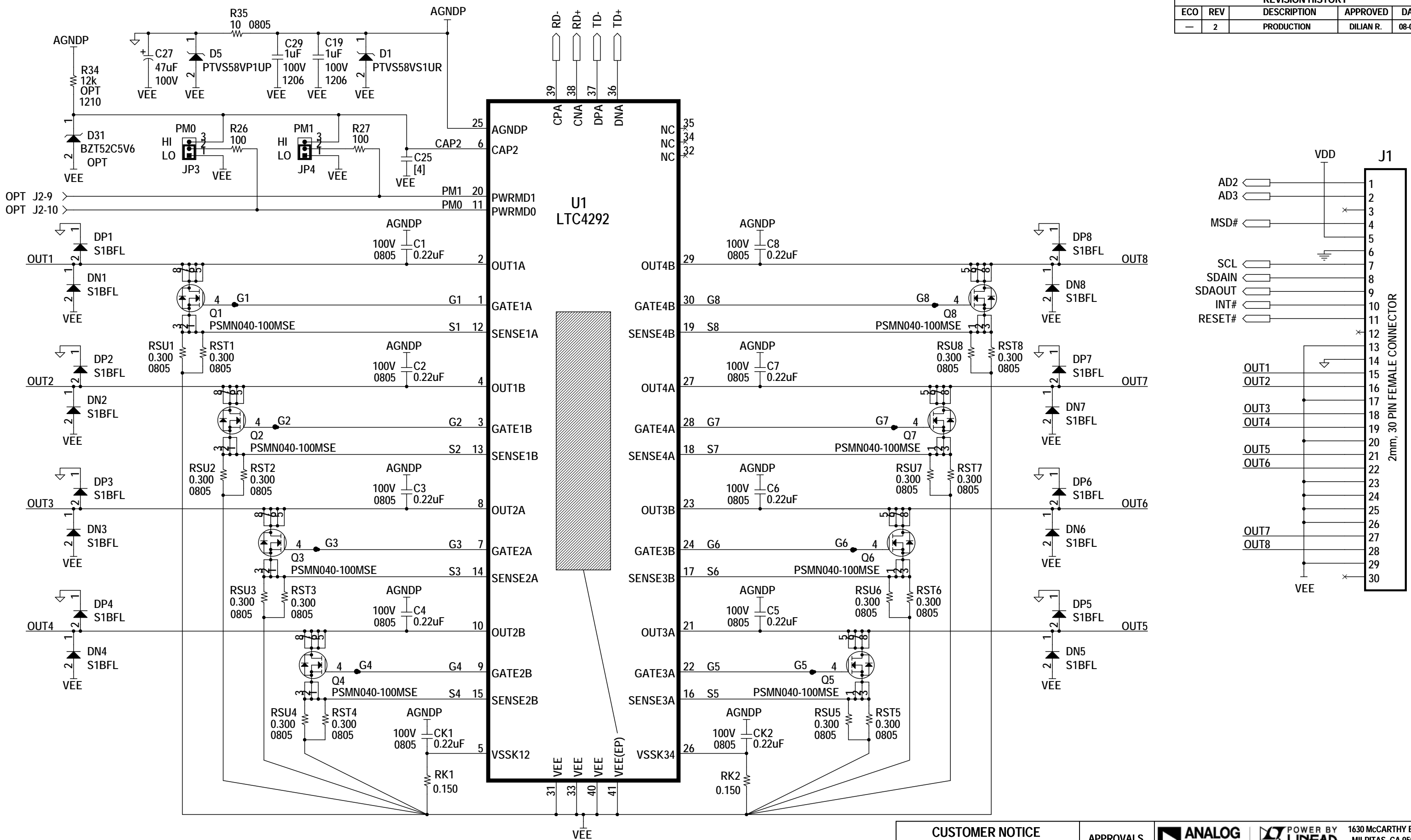


REVISION HISTORY				
ECO	REV	DESCRIPTION	APPROVED	DATE
-	2	PRODUCTION	DILIAN R.	08-02-18



NOTE: UNLESS OTHERWISE SPECIFIED

1. ALL RESISTORS AND CAPACITORS ARE 0603.
2. RST1-RST4, RSU1-RSU4, AND RK1 CONNECT TO VEE AT ONE COMMON POINT.
3. RST5-RST8, RSU5-RSU8, AND RK2 CONNECT TO VEE AT ONE COMMON POINT.

[4].

ASSY	C25
DC2684A - A	0.1uF
DC2684A - B	0.22uF

CUSTOMER NOTICE
 ADI HAS MADE A BEST EFFORT TO DESIGN A CIRCUIT THAT MEETS CUSTOMER-SUPPLIED SPECIFICATIONS; HOWEVER, IT REMAINS THE CUSTOMER'S RESPONSIBILITY TO VERIFY PROPER AND RELIABLE OPERATION IN THE ACTUAL APPLICATION. COMPONENT SUBSTITUTION AND PRINTED CIRCUIT BOARD LAYOUT MAY SIGNIFICANTLY AFFECT CIRCUIT PERFORMANCE OR RELIABILITY. CONTACT ADI APPLICATIONS ENGINEERING FOR ASSISTANCE.

APPROVALS	
PCB DES.	KIM T.
APP ENG.	DILIAN R.

ANALOG DEVICES | **POWER BY LINEAR** | 1630 McCARTHY BLVD. MILPITAS, CA 95035 TEL: (408) 432-1900

www.analog.com | www.linear.com

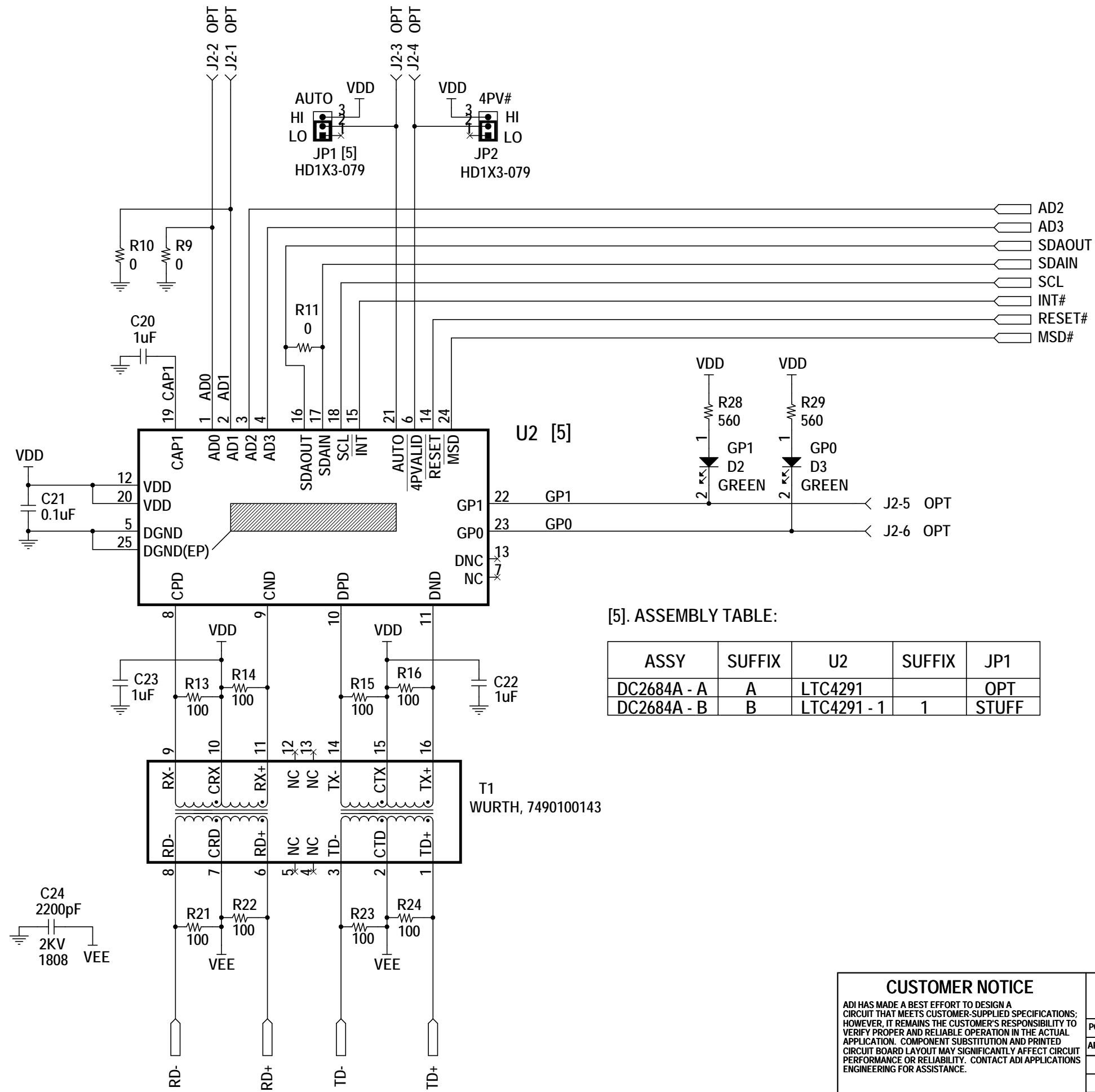
TITLE: SCHEMATIC

IEEE 802.3bt 8-CHANNEL PSE DAUGHTER CARD

SIZE	IC NO.	REV.
N/A	LTC4291IUF - LTC4292IUJ	2
DATE: Thursday, August 02, 2018		SHEET 1 OF 2

THIS CIRCUIT IS PROPRIETARY TO ADI AND SUPPLIED FOR USE WITH ADI PARTS.

SCALE = NONE

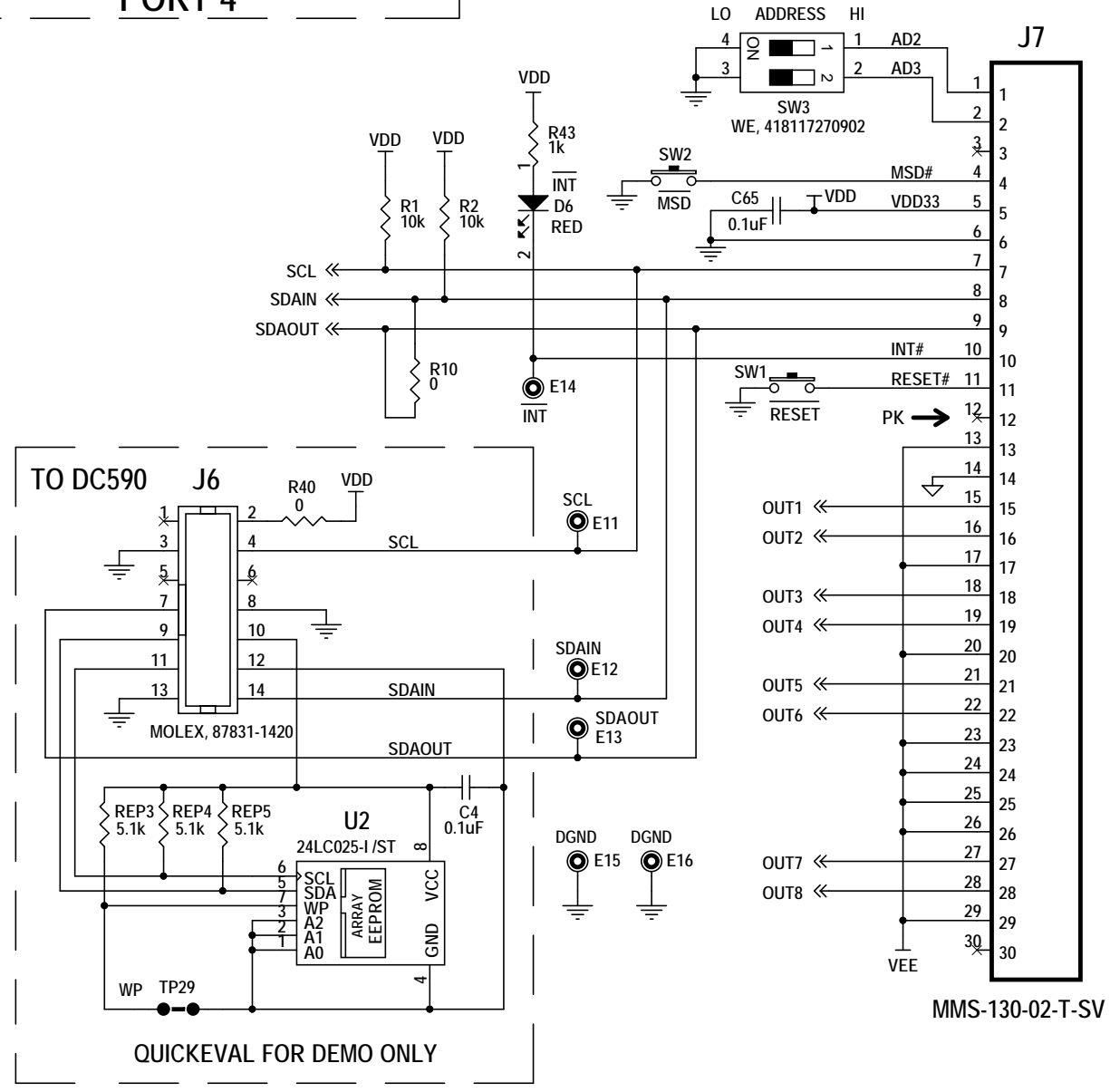
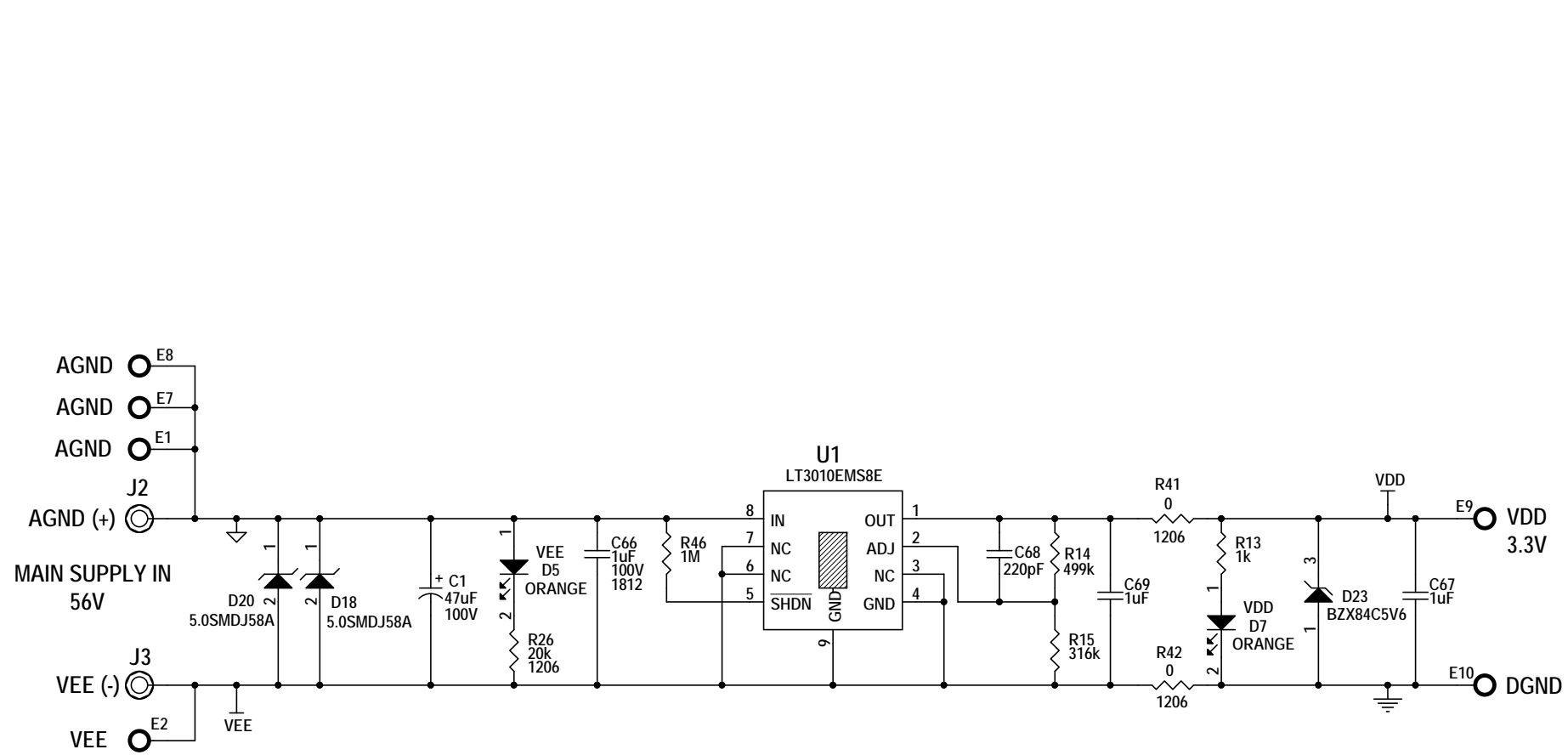
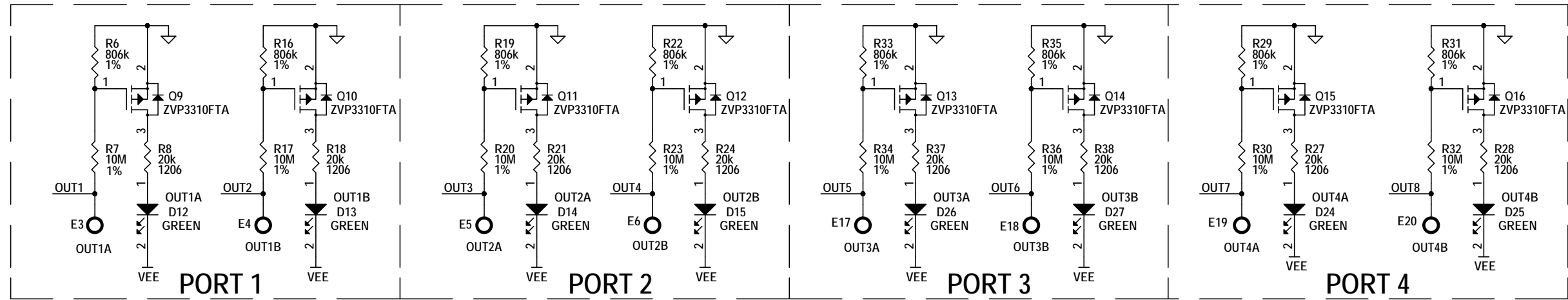


[5]. ASSEMBLY TABLE:

ASSY	SUFFIX	U2	SUFFIX	JP1
DC2684A - A	A	LTC4291		OPT
DC2684A - B	B	LTC4291 - 1	1	STUFF

<p>CUSTOMER NOTICE</p> <p>ADI HAS MADE A BEST EFFORT TO DESIGN A CIRCUIT THAT MEETS CUSTOMER-SUPPLIED SPECIFICATIONS; HOWEVER, IT REMAINS THE CUSTOMER'S RESPONSIBILITY TO VERIFY PROPER AND RELIABLE OPERATION IN THE ACTUAL APPLICATION. COMPONENT SUBSTITUTION AND PRINTED CIRCUIT BOARD LAYOUT MAY SIGNIFICANTLY AFFECT CIRCUIT PERFORMANCE OR RELIABILITY. CONTACT ADI APPLICATIONS ENGINEERING FOR ASSISTANCE.</p> <p>THIS CIRCUIT IS PROPRIETARY TO ADI AND SUPPLIED FOR USE WITH ADI PARTS.</p>	<p>APPROVALS</p> <p>PCB DES. KIM T.</p> <p>APP ENG. DILIAN R.</p>		<p>ANALOG DEVICES POWER BY LINEAR</p> <p>www.analog.com www.linear.com</p>		<p>1630 McCARTHY BLVD. MILPITAS, CA 95035 TEL: (408) 432-1900</p>
	<p>TITLE: SCHEMATIC</p>				
	<p>IEEE 802.3bt 8-CHANNEL PSE DAUGHTER CARD</p>				
	<p>SIZE N/A</p>	<p>IC NO. LTC4291IUF - LTC4292IUJ</p>	<p>REV. 2</p>		<p>DATE: Thursday, August 02, 2018</p>
<p>SCALE = NONE</p>		<p>SHEET 2 OF 2</p>			

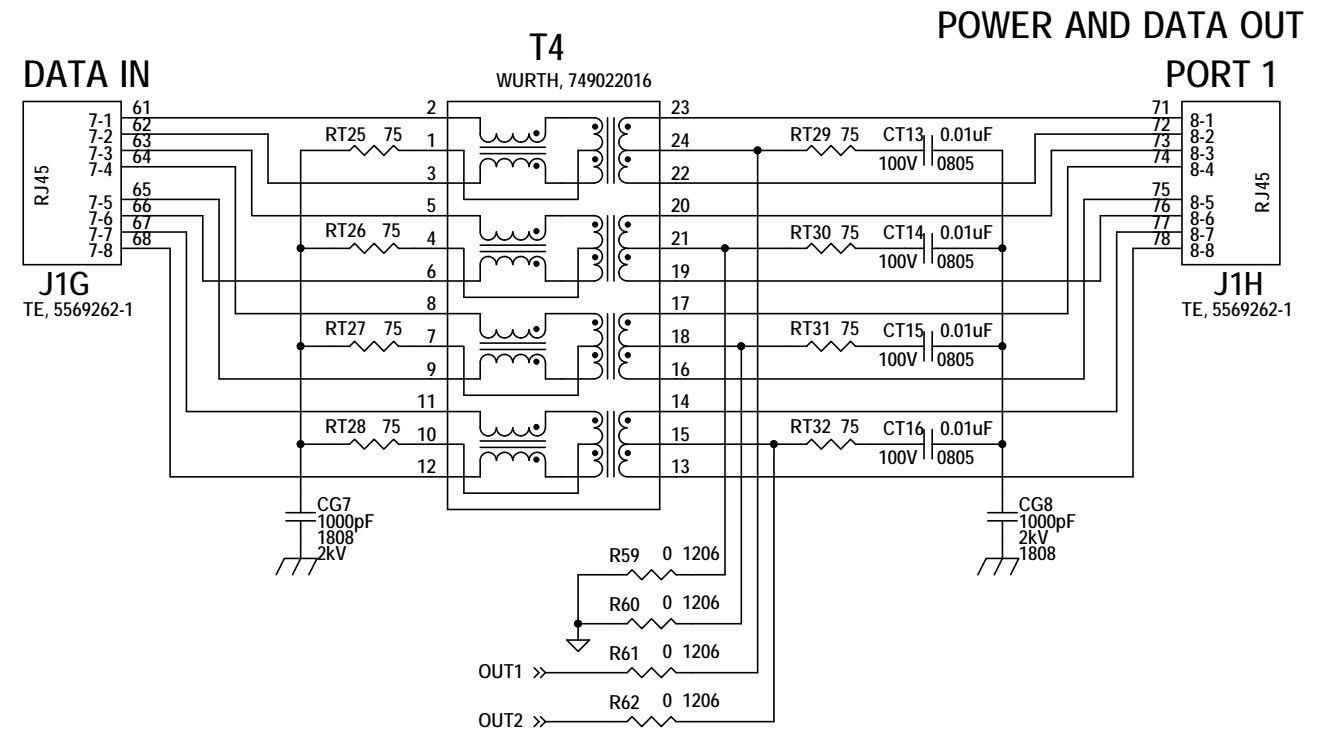
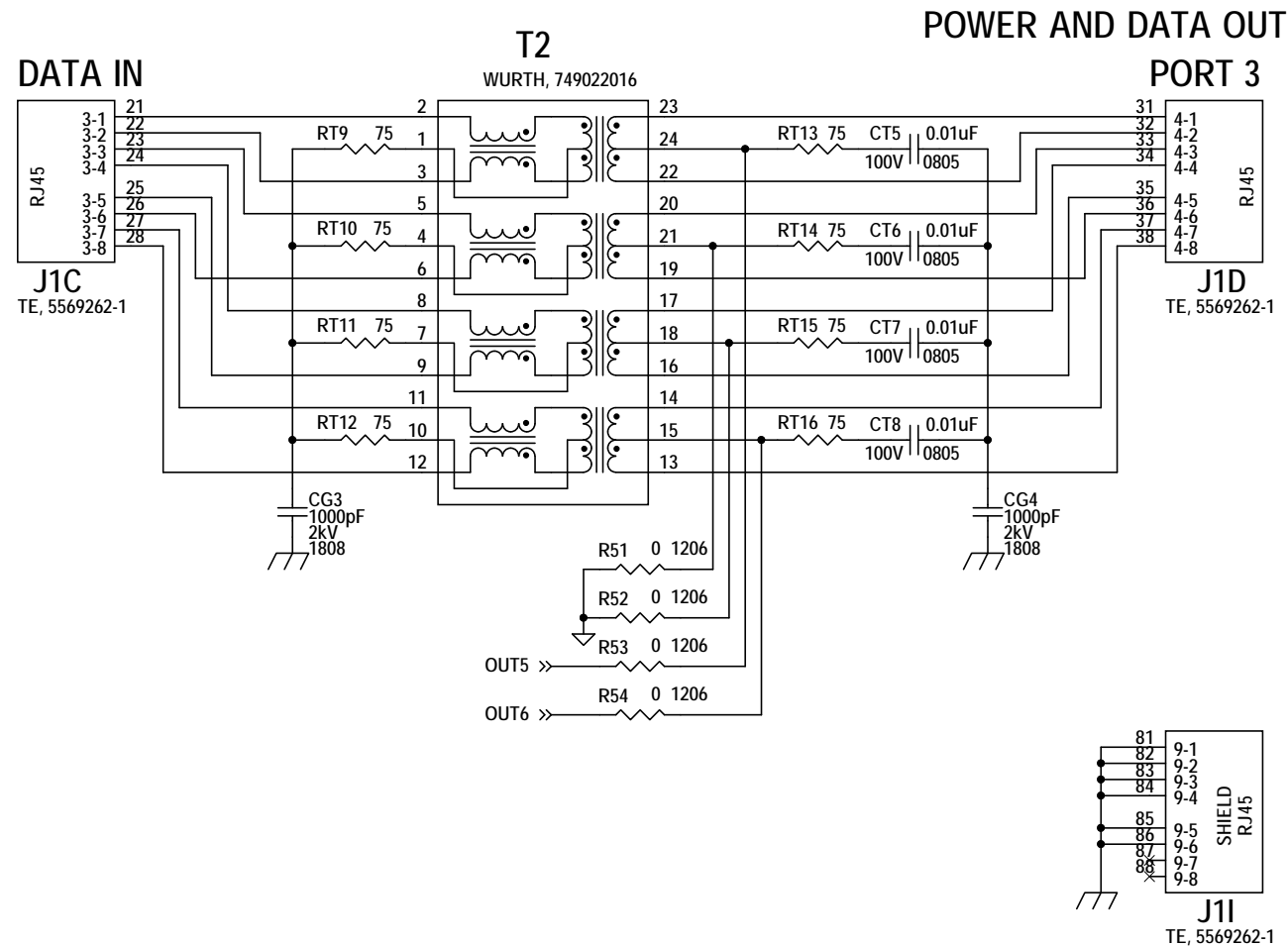
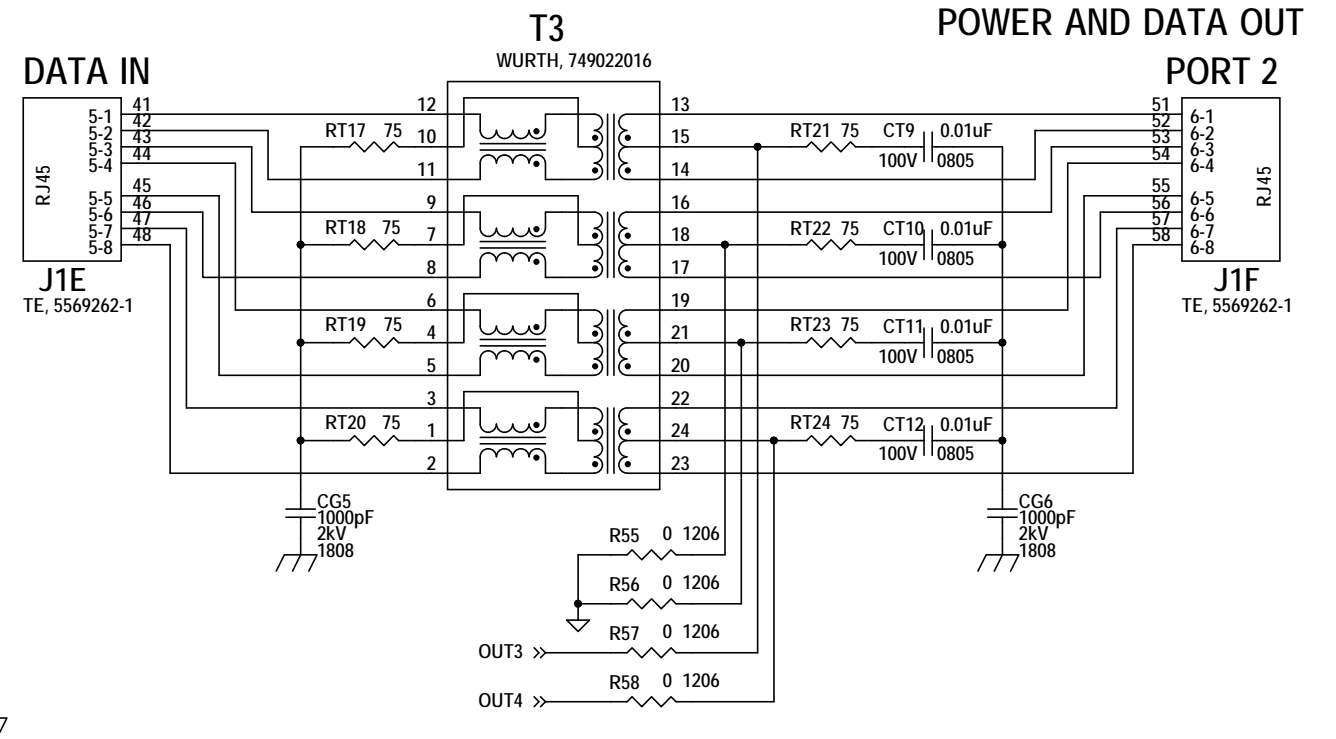
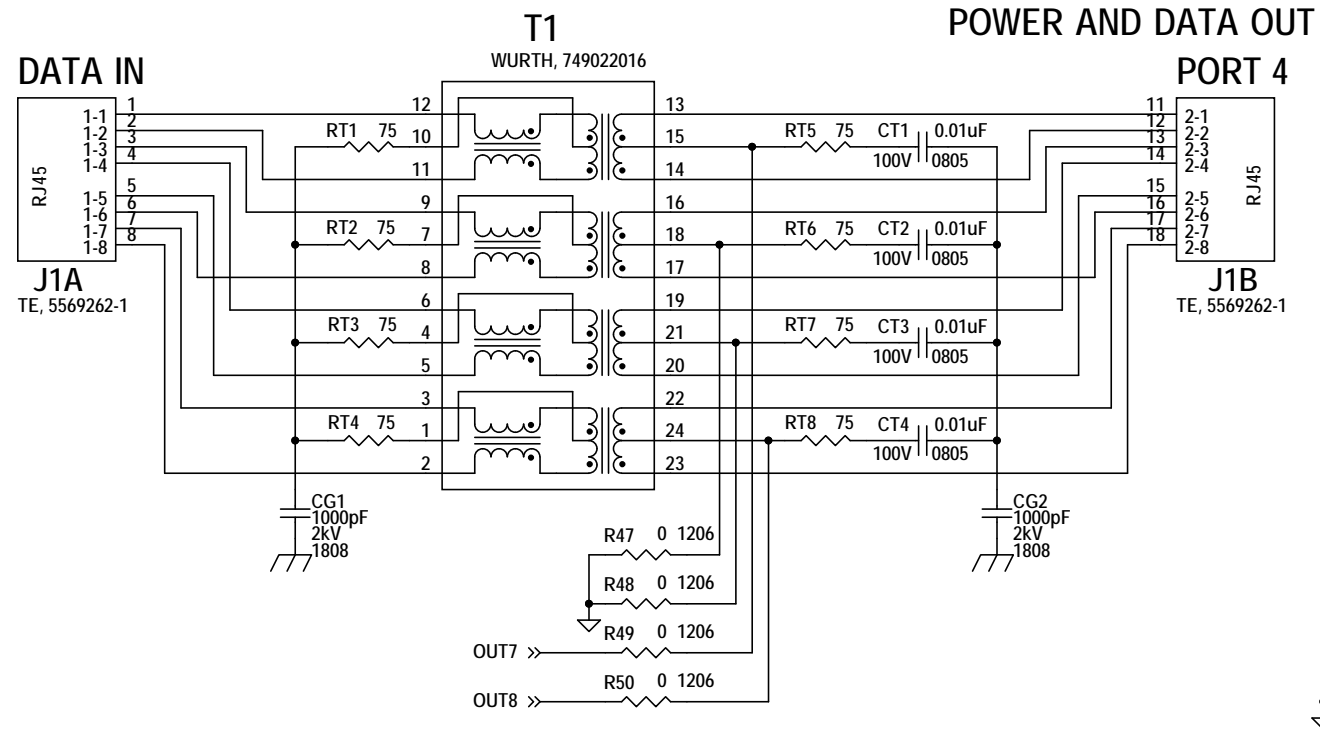
REVISION HISTORY				
ECO	REV	DESCRIPTION	APPROVED	DATE
-	1	PRODUCTION	DILIAN R.	03-06-18



NOTE: UNLESS OTHERWISE SPECIFIED

1. ALL RESISTORS ARE IN OHMS, 0603.
ALL CAPACITORS ARE IN MICROFARADS, 0603.
2. INSTALL SHUNTS AS SHOWN.

<p>CUSTOMER NOTICE</p> <p>ADI HAS MADE A BEST EFFORT TO DESIGN A CIRCUIT THAT MEETS CUSTOMER-SUPPLIED SPECIFICATIONS; HOWEVER, IT REMAINS THE CUSTOMER'S RESPONSIBILITY TO VERIFY PROPER AND RELIABLE OPERATION IN THE ACTUAL APPLICATION. COMPONENT SUBSTITUTION AND PRINTED CIRCUIT BOARD LAYOUT MAY SIGNIFICANTLY AFFECT CIRCUIT PERFORMANCE OR RELIABILITY. CONTACT ADI APPLICATIONS ENGINEERING FOR ASSISTANCE.</p>		<p>APPROVALS</p> <p>PCB DES. KIM T.</p> <p>APP ENG. DILIAN R.</p>		<p>ANALOG DEVICES</p> <p>www.analog.com</p>		<p>POWER BY LINEAR</p> <p>www.linear.com</p>		<p>1630 MCCARTHY BLVD. MILPITAS, CA 95035 TEL: (408) 432-1900</p>	
		<p>TITLE: SCHEMATIC</p> <p>IEEE 802.3bt 4-PORT PSE MOTHERBOARD</p>		<p>SIZE N/A</p> <p>IC NO. DEMO CIRCUIT 2683A</p>		<p>REV. 1</p>		<p>DATE: Tuesday, March 06, 2018</p> <p>SHEET 1 OF 2</p>	
<p>THIS CIRCUIT IS PROPRIETARY TO ADI AND SUPPLIED FOR USE WITH ADI PARTS.</p>		<p>SCALE = NONE</p>		<p>DATE: Tuesday, March 06, 2018</p>		<p>SHEET 1 OF 2</p>		<p>REV. 1</p>	



<p>CUSTOMER NOTICE</p> <p>ADI HAS MADE A BEST EFFORT TO DESIGN A CIRCUIT THAT MEETS CUSTOMER-SUPPLIED SPECIFICATIONS; HOWEVER, IT REMAINS THE CUSTOMER'S RESPONSIBILITY TO VERIFY PROPER AND RELIABLE OPERATION IN THE ACTUAL APPLICATION. COMPONENT SUBSTITUTION AND PRINTED CIRCUIT BOARD LAYOUT MAY SIGNIFICANTLY AFFECT CIRCUIT PERFORMANCE OR RELIABILITY. CONTACT ADI APPLICATIONS ENGINEERING FOR ASSISTANCE.</p>		<p>APPROVALS</p>		<p>ANALOG DEVICES www.analog.com</p>	<p>POWER BY LINEAR www.linear.com</p>	<p>1630 MCCARTHY BLVD. MILPITAS, CA 95035 TEL: (408) 432-1900</p>		
		PCB DES.	KIM T.			TITLE: SCHEMATIC		
THIS CIRCUIT IS PROPRIETARY TO ADI AND SUPPLIED FOR USE WITH ADI PARTS.		APP ENG.	DILIAN R.	<p>IEEE 802.3bt 4-PORT PSE MOTHERBOARD</p>		SIZE	IC NO.	REV.
		SCALE = NONE		<p>DEMO CIRCUIT 2683A</p>		N/A		1
		DATE: Tuesday, March 06, 2018				SHEET 2 OF 2		