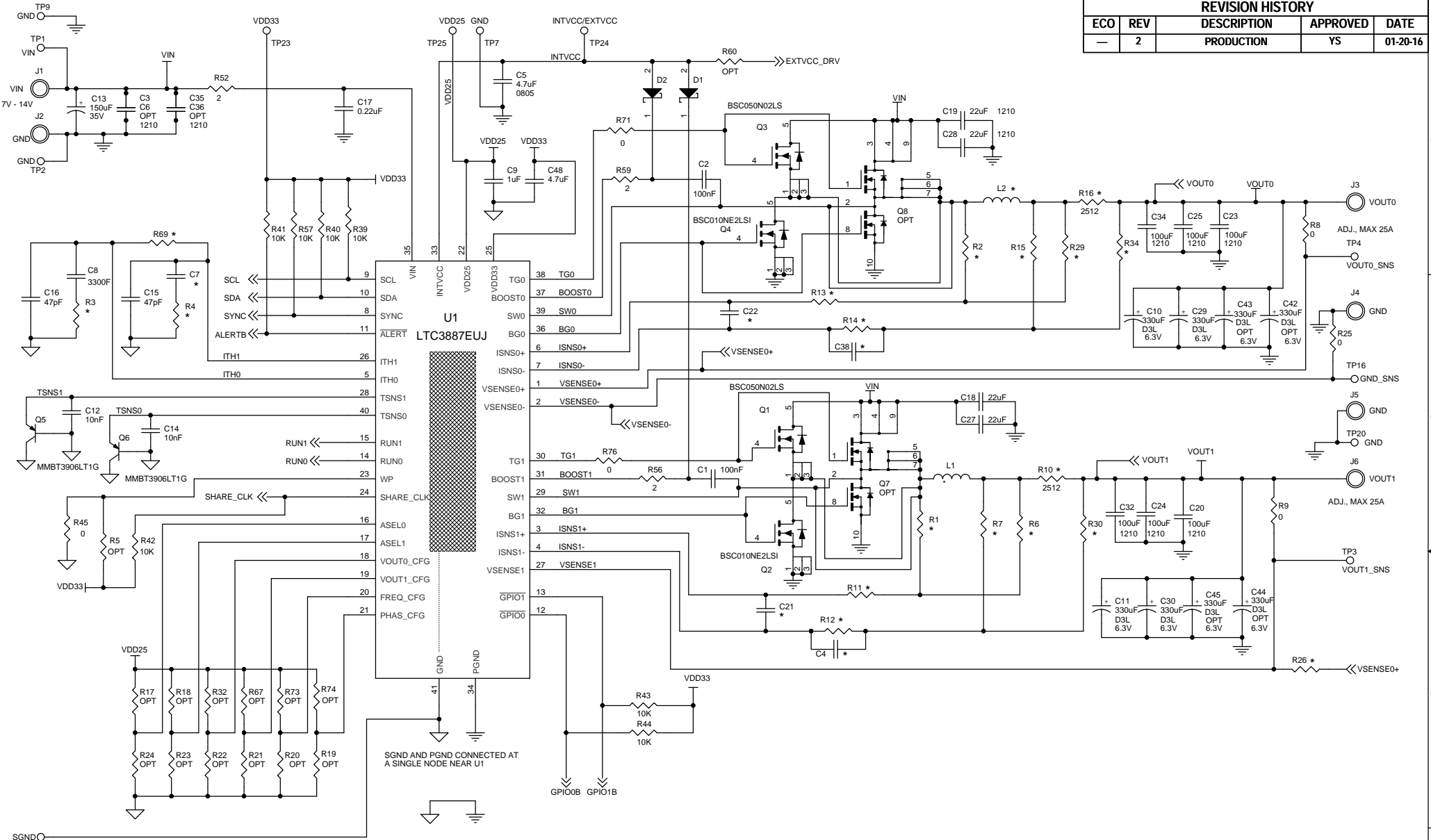


REVISION HISTORY				
ECO	REV	DESCRIPTION	APPROVED	DATE
-	2	PRODUCTION	YS	01-20-16



CURRENT SENSE CONNECTIONS

* CONFIGURATION	U1	R1,R2	R7,R15	R6,R29,R30,R34	R10,R16	R11,R13	R12,R14	C21,C22	C4,C38	R3	R4	C7	R26,R69	L1,L2	R38,R46,R49,R50	R17	R24	R18	R23	R32	R22	R67	R21	R73	R20	R74	R19
-A: DUAL OUTPUT RSENSE	3887EUJ#10C9	OPT	OPT	0	0.001	100	100	1nF	OPT	6.49K	6.49K	3300pF	OPT	0.22uH	OPT	OPT	OPT	OPT	OPT	OPT	OPT	OPT	OPT	OPT	OPT	OPT	OPT
-B: DUAL PHASE DCR SENSE	3887EUJ#10CA	845	0	OPT	0	0	845	0.22uF	1uF	3.32K	OPT	OPT	0	0.19uH	0	OPT	OPT	OPT	OPT	OPT	OPT	OPT	OPT	OPT	OPT	OPT	

NOTE: UNLESS OTHERWISE SPECIFIED

1. ALL RESISTORS AND CAPACITORS ARE 0603.

CUSTOMER NOTICE
 LINEAR TECHNOLOGY HAS MADE A BEST EFFORT TO DESIGN A CIRCUIT THAT MEETS CUSTOMER-SUPPLIED SPECIFICATIONS; HOWEVER, IT REMAINS THE CUSTOMER'S RESPONSIBILITY TO VERIFY PROPER AND RELIABLE OPERATION IN THE ACTUAL APPLICATION. COMPONENT SUBSTITUTION AND PRINTED CIRCUIT BOARD LAYOUT MAY SIGNIFICANTLY AFFECT CIRCUIT PERFORMANCE OR RELIABILITY. CONTACT LINEAR TECHNOLOGY APPLICATIONS ENGINEERING FOR ASSISTANCE.

APPROVALS	
PCB DES.	LT
APP ENG.	YS

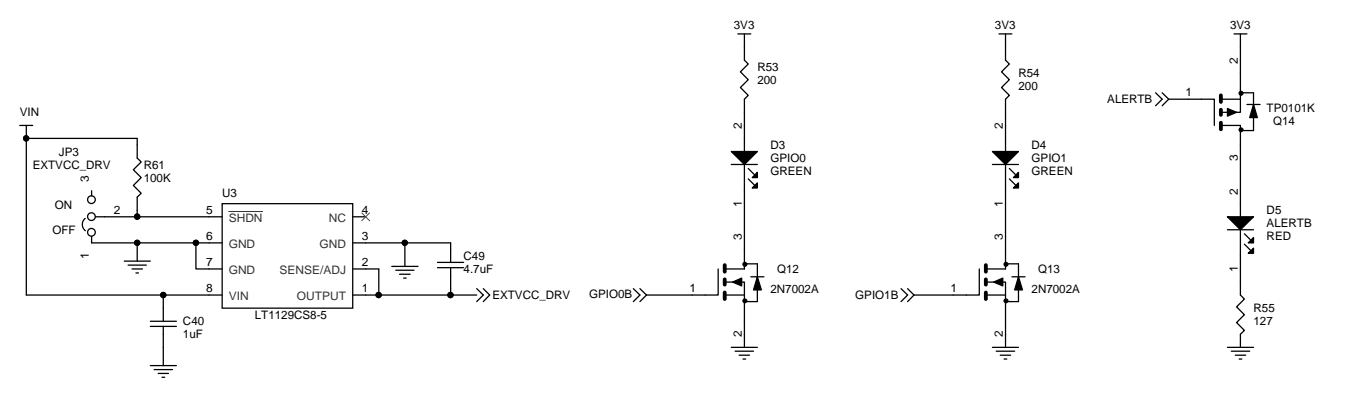
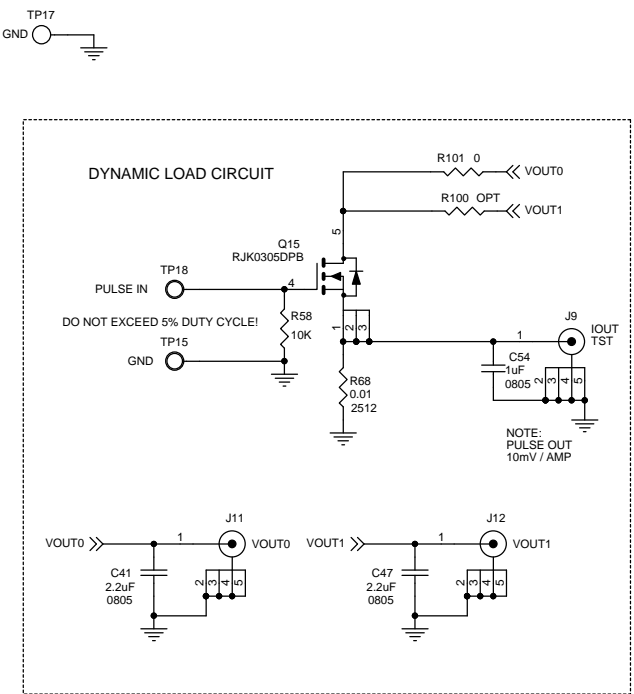
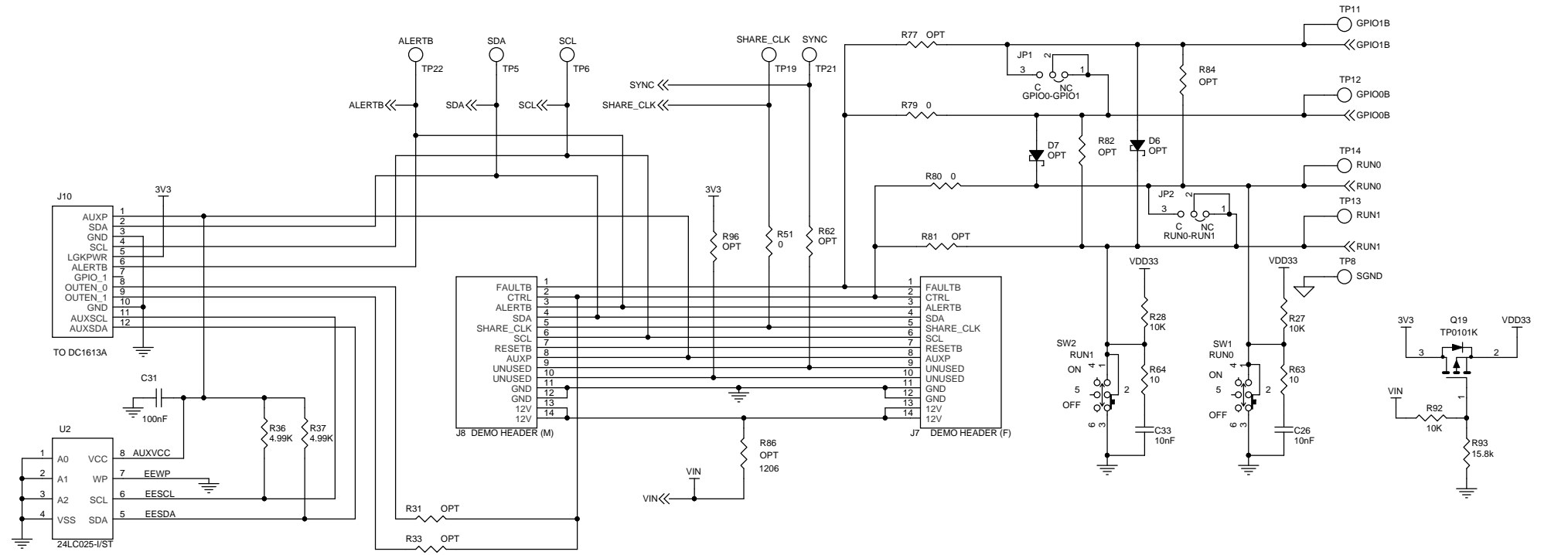
LINEAR TECHNOLOGY
 1630 McCarthy Blvd.
 Milpitas, CA 95035
 Phone: (408)432-1900 www.linear.com
 Fax: (408)434-0507
 LTC Confidential-For Customer Use Only

TITLE: SCHEMATIC		REV. 2	
DUAL-PHASE/DUAL OUTPUT STEP-DOWN DC/DC CONVERTER WITH POWER SYSTEM MANAGEMENT			
SIZE N/A	IC NO. LTC3887EUJ	REV. 2	
DATE: Wednesday, January 20, 2016		SHEET 1 OF 2	

THIS CIRCUIT IS PROPRIETARY TO LINEAR TECHNOLOGY AND SUPPLIED FOR USE WITH LINEAR TECHNOLOGY PARTS.

SCALE = NONE

ALL PARTS ON THIS PAGE ARE FOR DEMO BOARD ONLY, NOT NEEDED IN CUSTOMER DESIGN



CUSTOMER NOTICE		APPROVALS			1630 McCarthy Blvd. Milpitas, CA 95035 Phone: (408)432-1900 www.linear.com Fax: (408)434-0507 LTC Confidential-For Customer Use Only	
LINEAR TECHNOLOGY HAS MADE A BEST EFFORT TO DESIGN A CIRCUIT THAT MEETS CUSTOMER-SUPPLIED SPECIFICATIONS; HOWEVER, IT REMAINS THE CUSTOMER'S RESPONSIBILITY TO VERIFY PROPER AND RELIABLE OPERATION IN THE ACTUAL APPLICATION. COMPONENT SUBSTITUTION AND PRINTED CIRCUIT BOARD LAYOUT MAY SIGNIFICANTLY AFFECT CIRCUIT PERFORMANCE OR RELIABILITY. CONTACT LINEAR TECHNOLOGY APPLICATIONS ENGINEERING FOR ASSISTANCE.					PCB DES.	LT
THIS CIRCUIT IS PROPRIETARY TO LINEAR TECHNOLOGY AND SUPPLIED FOR USE WITH LINEAR TECHNOLOGY PARTS.				APP ENG.	YI.S.	SIZE: N/A IC NO.: LTC3880EUJ DEMO CIRCUIT 2263A
SCALE = NONE				DATE:	Wednesday, January 20, 2016	REV. 2
				SHEET	2	OF 2