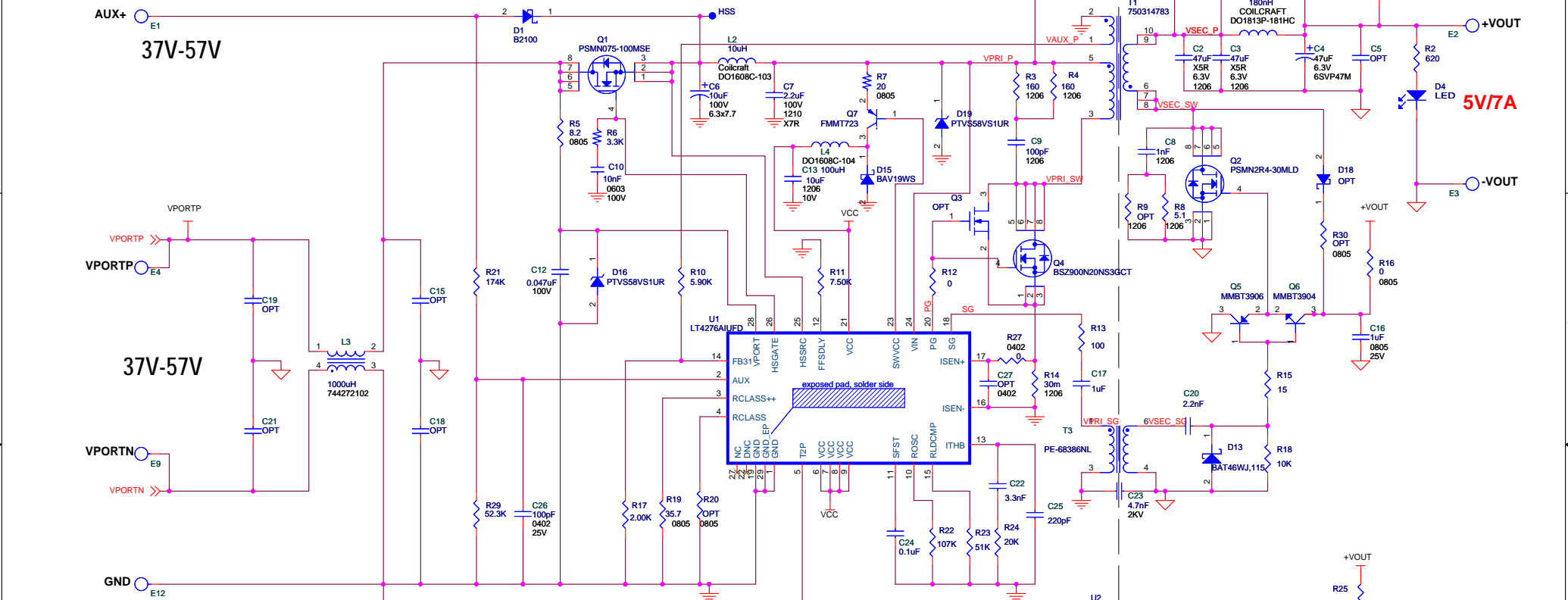


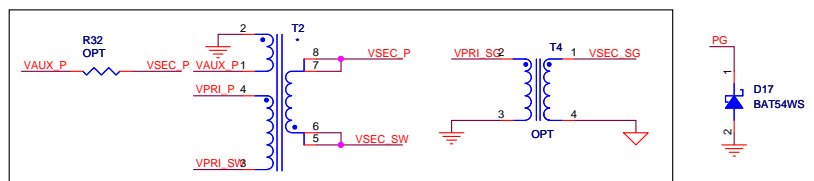
REVISION HISTORY

ECO	REV	DESCRIPTION	APPROVED	DATE
1	4	PRODUCTION	KAUNG H.	1-7-2015



ASSEMBLY VERSION	OUTPUT	U1
DC2046A-A	3.3V/6.8A	LT4276BIUFD
DC2046A-B	5V/4.7A	LT4276BIUFD
DC2046A-C	12V/1.9A	LT4276BIUFD
DC2046A-D	24V/0.95A	LT4276BIUFD
DC2046A-E	5V/7A	LT4276AIUFD
DC2046A-F	5V/2.3A	LT4276CIUFD

OPTIONAL COMPONENTS



**CUSTOMER NOTICE**

LINEAR TECHNOLOGY HAS MADE A BEST EFFORT TO DESIGN A CIRCUIT THAT MEETS CUSTOMER-SUPPLIED SPECIFICATIONS; HOWEVER, IT REMAINS THE CUSTOMER'S RESPONSIBILITY TO VERIFY PROPER AND RELIABLE OPERATION IN THE ACTUAL APPLICATION. COMPONENT SUBSTITUTION AND PRINTED CIRCUIT BOARD LAYOUT MAY SIGNIFICANTLY AFFECT CIRCUIT PERFORMANCE OR RELIABILITY. CONTACT LINEAR TECHNOLOGY APPLICATIONS ENGINEERING FOR ASSISTANCE.

THIS CIRCUIT IS PROPRIETARY TO LINEAR TECHNOLOGY AND SUPPLIED FOR USE WITH LINEAR TECHNOLOGY PARTS.

**APPROVALS**

PCB DES.	K. HTOO
APP ENG.	K. HTOO
SCALE	NONE

**LINEAR TECHNOLOGY**

1630 McCarthy Blvd.  
Milpitas, CA 95035  
Phone: (408)432-1900 www.linear.com  
Fax: (408)434-0507  
LTC Confidential-For Customer Use Only

**TITLE: SCHEMATIC**

HIGH EFFICIENCY POE PD INTERFACE WITH INTEGRATED SWITCHING REGULATOR

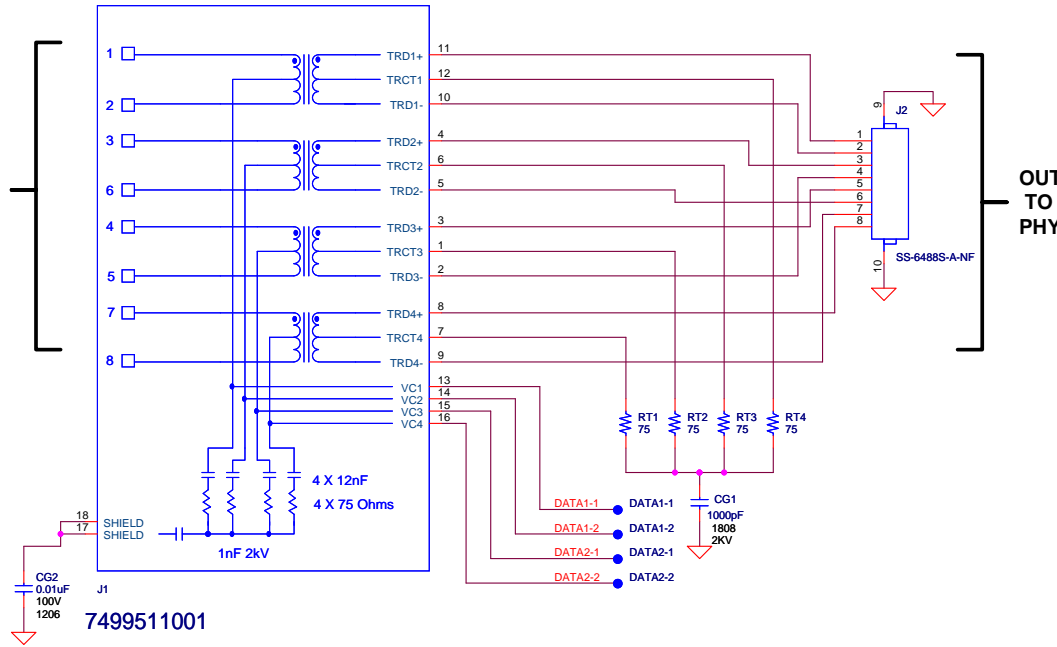
SIZE	IC NO.	REV.
N/A	LT4276AIUFD, LT4321IUFD	4
DEMO CIRCUIT 2046A-E		

DATE: Wednesday, April 01, 2015

SHEET 1 OF 2

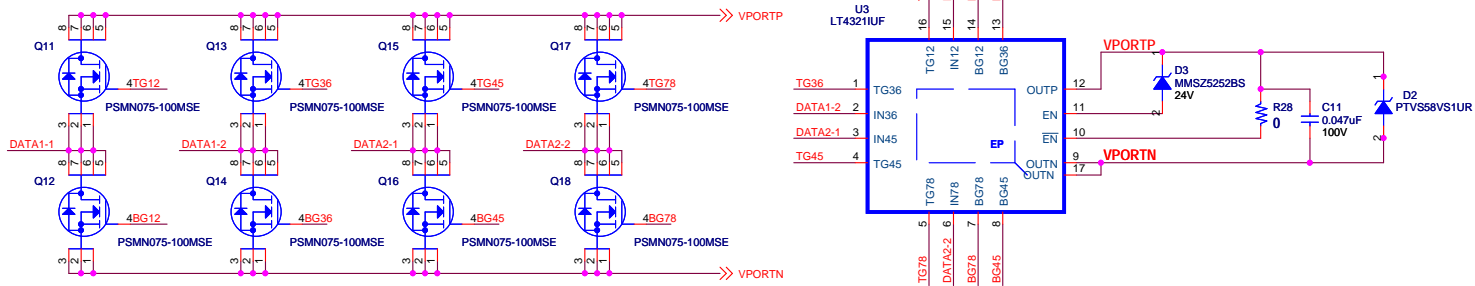
REVISION HISTORY				
ECO	REV	DESCRIPTION	APPROVED	DATE
1	4	PRODUCTION	KAUNG H.	1-7-2015

IN FROM  
PoE+  
PSE



OUT TO  
PHY

### PoE IDEAL DIODE BRIDGE



#### CUSTOMER NOTICE

LINEAR TECHNOLOGY HAS MADE A BEST EFFORT TO DESIGN A CIRCUIT THAT MEETS CUSTOMER-SUPPLIED SPECIFICATIONS; HOWEVER, IT REMAINS THE CUSTOMER'S RESPONSIBILITY TO VERIFY PROPER AND RELIABLE OPERATION IN THE ACTUAL APPLICATION. COMPONENT SUBSTITUTION AND PRINTED CIRCUIT BOARD LAYOUT MAY SIGNIFICANTLY AFFECT CIRCUIT PERFORMANCE OR RELIABILITY. CONTACT LINEAR TECHNOLOGY APPLICATIONS ENGINEERING FOR ASSISTANCE.

THIS CIRCUIT IS PROPRIETARY TO LINEAR TECHNOLOGY AND SUPPLIED FOR USE WITH LINEAR TECHNOLOGY PARTS.

#### APPROVALS

PCB DES.	K. HTOO
APP ENG.	K. HTOO
SCALE	NONE



1630 McCarthy Blvd.  
Milpitas, CA 95035  
Phone: (408)432-1900 www.linear.com  
Fax: (408)434-0507  
LTC Confidential-For Customer Use Only

TITLE: SCHEMATIC  
HIGH EFFICIENCY POE PD INTERFACE WITH INTEGRATED SWITCHING REGULATOR

SIZE	IC NO.	REV.
N/A	LT4276AIUFD, LT4321IUF DEMO CIRCUIT 2046A-E	4
DATE:	Tuesday, March 31, 2015	SHEET 2 OF 2