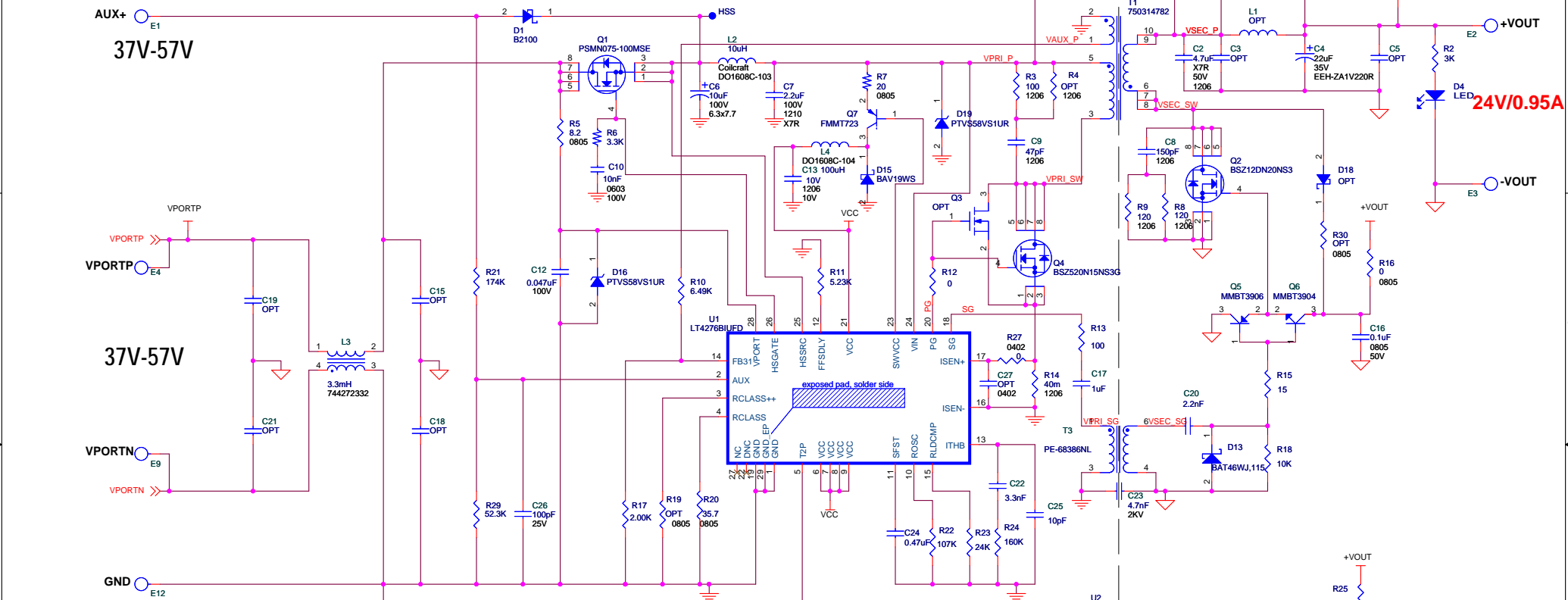


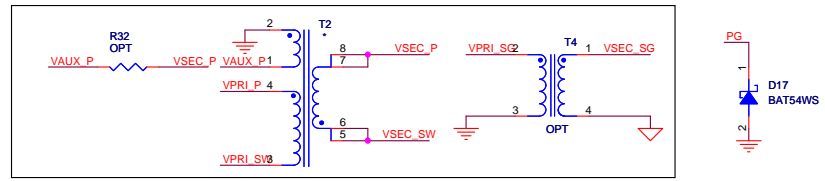
REVISION HISTORY

ECO	REV	DESCRIPTION	APPROVED	DATE
1	4	PRODUCTION	KAUNG H.	1-7-2015



ASSEMBLY VERSION	OUTPUT	U1
DC2046A-A	3.3V/6.8A	LT4276BIUFD
DC2046A-B	5V/4.7A	LT4276BIUFD
DC2046A-C	12V/1.9A	LT4276BIUFD
DC2046A-D	24V/0.95A	LT4276BIUFD
DC2046A-E	5V/7A	LT4276AIUFD
DC2046A-F	5V/2.3A	LT4276CIUFD

OPTIONAL COMPONENTS



CUSTOMER NOTICE

LINEAR TECHNOLOGY HAS MADE A BEST EFFORT TO DESIGN A CIRCUIT THAT MEETS CUSTOMER-SUPPLIED SPECIFICATIONS; HOWEVER, IT REMAINS THE CUSTOMER'S RESPONSIBILITY TO VERIFY PROPER AND RELIABLE OPERATION IN THE ACTUAL APPLICATION. COMPONENT SUBSTITUTION AND PRINTED CIRCUIT BOARD LAYOUT MAY SIGNIFICANTLY AFFECT CIRCUIT PERFORMANCE OR RELIABILITY. CONTACT LINEAR TECHNOLOGY APPLICATIONS ENGINEERING FOR ASSISTANCE.

THIS CIRCUIT IS PROPRIETARY TO LINEAR TECHNOLOGY AND SUPPLIED FOR USE WITH LINEAR TECHNOLOGY PARTS.

APPROVALS

PCB DES.	K. HTOO
APP ENG.	K. HTOO
SCALE	NONE

LINEAR TECHNOLOGY

1630 McCarthy Blvd.
Milpitas, CA 95035
Phone: (408)432-1900 www.linear.com
Fax: (408)434-0507
LTC Confidential-For Customer Use Only

TITLE: SCHEMATIC
HIGH EFFICIENCY POE PD INTERFACE WITH INTEGRATED SWITCHING REGULATOR

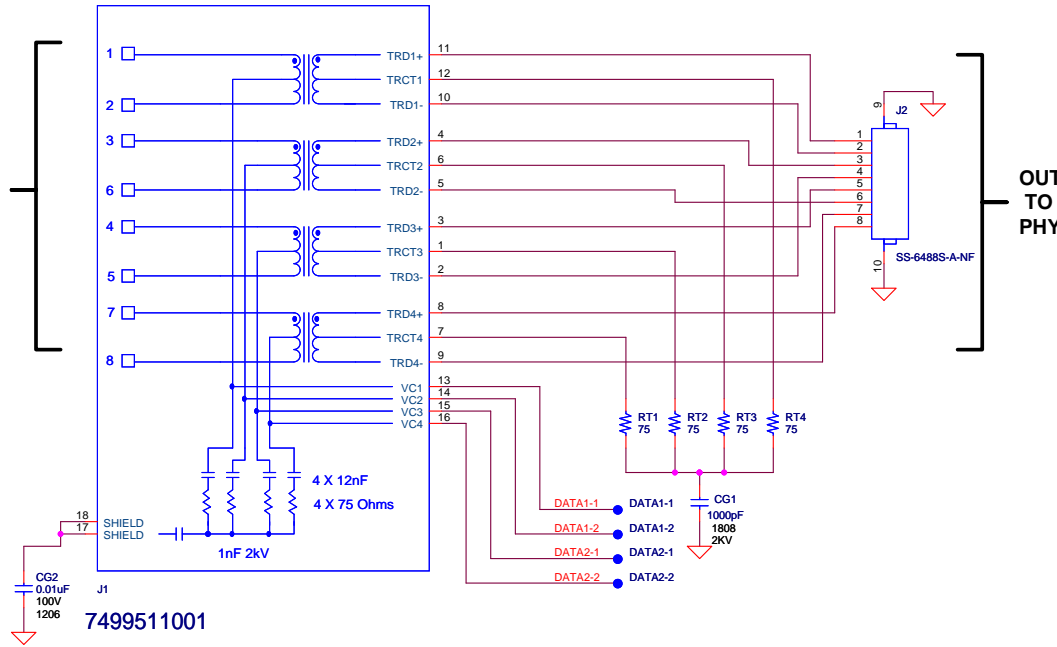
SIZE	IC NO.	REV.
N/A	LT4276BIUFD, LT4321IUF DEMO CIRCUIT 2046A-D	4

DATE: Wednesday, April 01, 2015

SHEET 1 OF 2

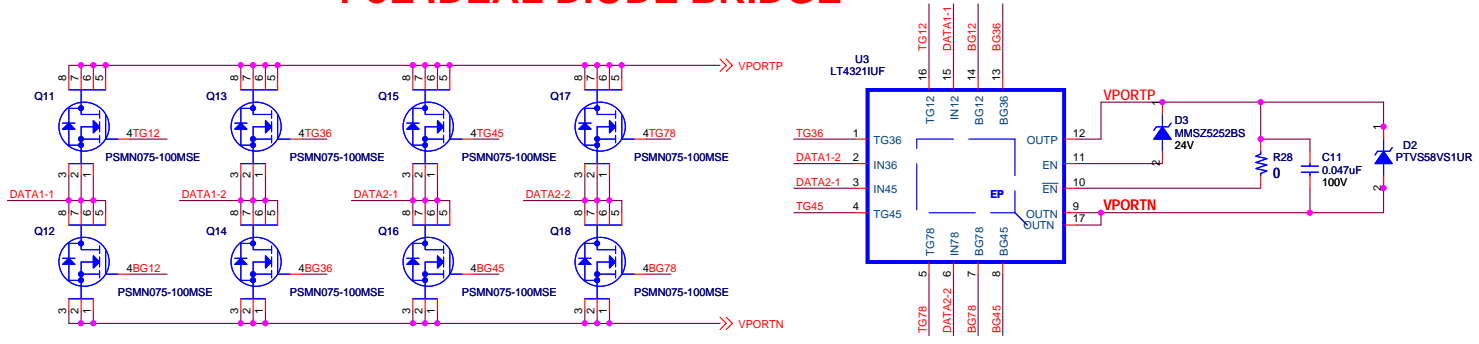
REVISION HISTORY				
ECO	REV	DESCRIPTION	APPROVED	DATE
1	4	PRODUCTION	KAUNG H.	1-7-2015

IN FROM
PoE+
PSE



OUT
TO
PHY

PoE IDEAL DIODE BRIDGE



CUSTOMER NOTICE

LINEAR TECHNOLOGY HAS MADE A BEST EFFORT TO DESIGN A CIRCUIT THAT MEETS CUSTOMER-SUPPLIED SPECIFICATIONS; HOWEVER, IT REMAINS THE CUSTOMER'S RESPONSIBILITY TO VERIFY PROPER AND RELIABLE OPERATION IN THE ACTUAL APPLICATION. COMPONENT SUBSTITUTION AND PRINTED CIRCUIT BOARD LAYOUT MAY SIGNIFICANTLY AFFECT CIRCUIT PERFORMANCE OR RELIABILITY. CONTACT LINEAR TECHNOLOGY APPLICATIONS ENGINEERING FOR ASSISTANCE.

THIS CIRCUIT IS PROPRIETARY TO LINEAR TECHNOLOGY AND SUPPLIED FOR USE WITH LINEAR TECHNOLOGY PARTS.

APPROVALS

PCB DES.	K. HTOO
APP ENG.	K. HTOO
SCALE	= NONE

LINEAR TECHNOLOGY
1630 McCarthy Blvd.
Milpitas, CA 95035
Phone: (408)432-1900 www.linear.com
Fax: (408)434-0507
LTC Confidential-For Customer Use Only

TITLE: SCHEMATIC
HIGH EFFICIENCY POE PD INTERFACE WITH INTEGRATED SWITCHING REGULATOR

SIZE	N/A	IC NO.	LT4276BIUFD, LT4321IUF	REV.	4
DATE:	Tuesday, March 31, 2015			SHEET 2 OF 2	