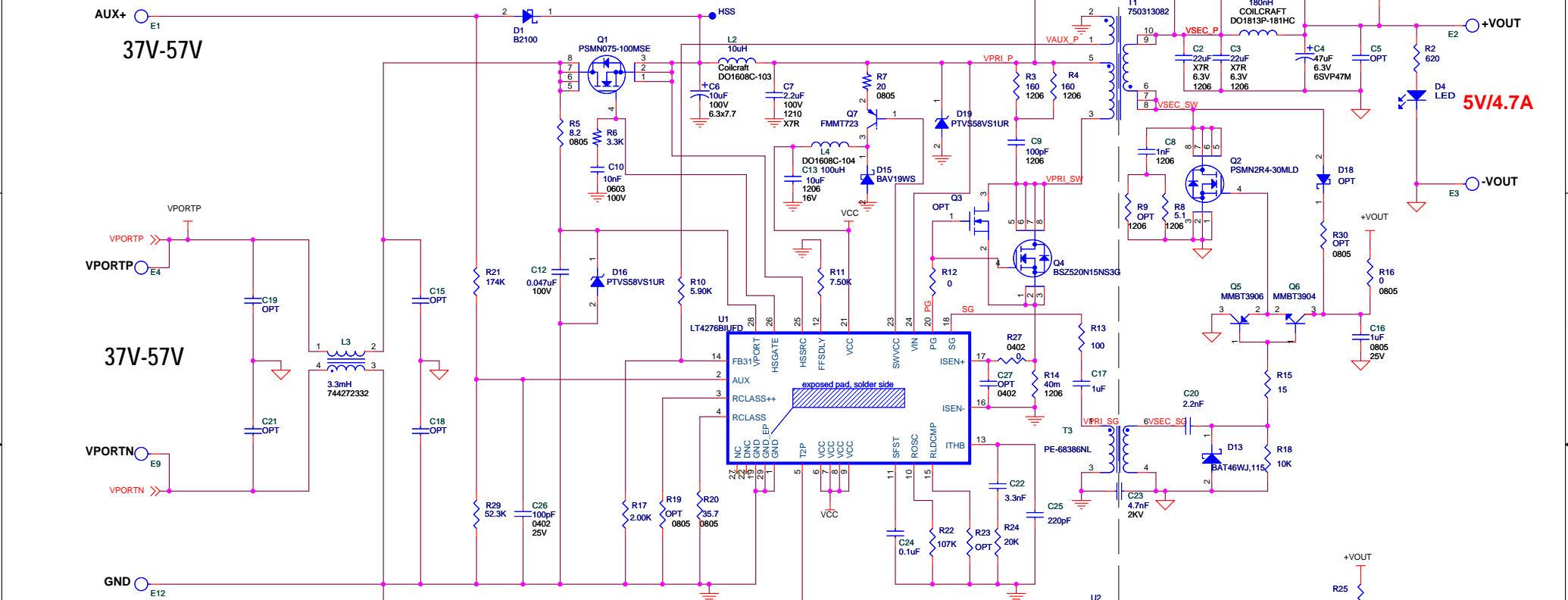


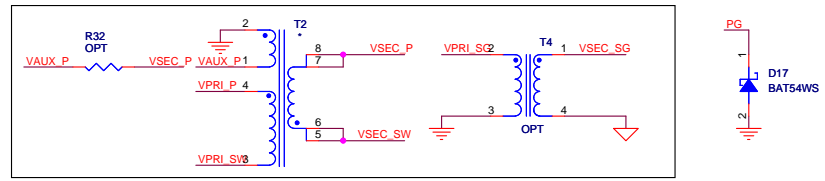
REVISION HISTORY

ECO	REV	DESCRIPTION	APPROVED	DATE
1	4	PRODUCTION	KAUNG H.	1-7-2015



ASSEMBLY VERSION	OUTPUT	U1
DC2046A-A	3.3V/6.8A	LT4276BIUFD
DC2046A-B	5V/4.7A	LT4276BIUFD
DC2046A-C	12V/1.9A	LT4276BIUFD
DC2046A-D	24V/0.95A	LT4276BIUFD
DC2046A-E	5V/7A	LT4276AIUFD
DC2046A-F	5V/2.3A	LT4276CIUFD

OPTIONAL COMPONENTS

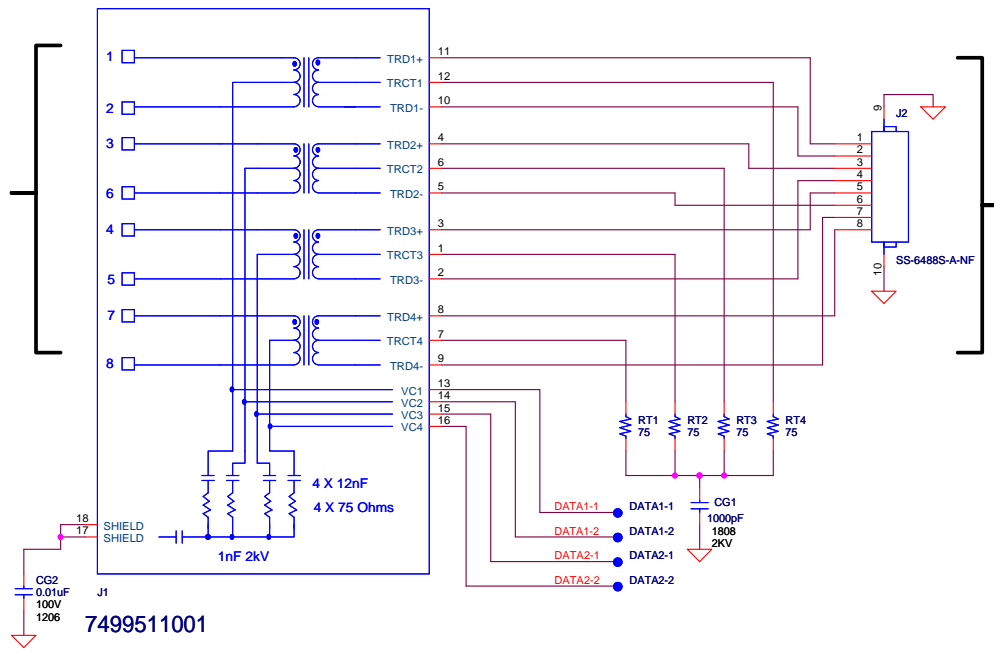


CUSTOMER NOTICE		APPROVALS			1630 McCarthy Blvd. Milpitas, CA 95035 Phone: (408)432-1900 www.linear.com Fax: (408)434-0507 LTC Confidential-For Customer Use Only	
LINEAR TECHNOLOGY HAS MADE A BEST EFFORT TO DESIGN A CIRCUIT THAT MEETS CUSTOMER-SUPPLIED SPECIFICATIONS; HOWEVER, IT REMAINS THE CUSTOMER'S RESPONSIBILITY TO VERIFY PROPER AND RELIABLE OPERATION IN THE ACTUAL APPLICATION. COMPONENT SUBSTITUTION AND PRINTED CIRCUIT BOARD LAYOUT MAY SIGNIFICANTLY AFFECT CIRCUIT PERFORMANCE OR RELIABILITY. CONTACT LINEAR TECHNOLOGY APPLICATIONS ENGINEERING FOR ASSISTANCE.					PCB DES.	K. HTOO
THIS CIRCUIT IS PROPRIETARY TO LINEAR TECHNOLOGY AND SUPPLIED FOR USE WITH LINEAR TECHNOLOGY PARTS.				APP ENG.	K. HTOO	
SIZE	N/A	IC NO.	LT4276BIUFD, LT4321IUF	REV.	4	DATE: Wednesday, April 01, 2015 SHEET 1 OF 2
SCALE = NONE		DEMO CIRCUIT 2046A-B				

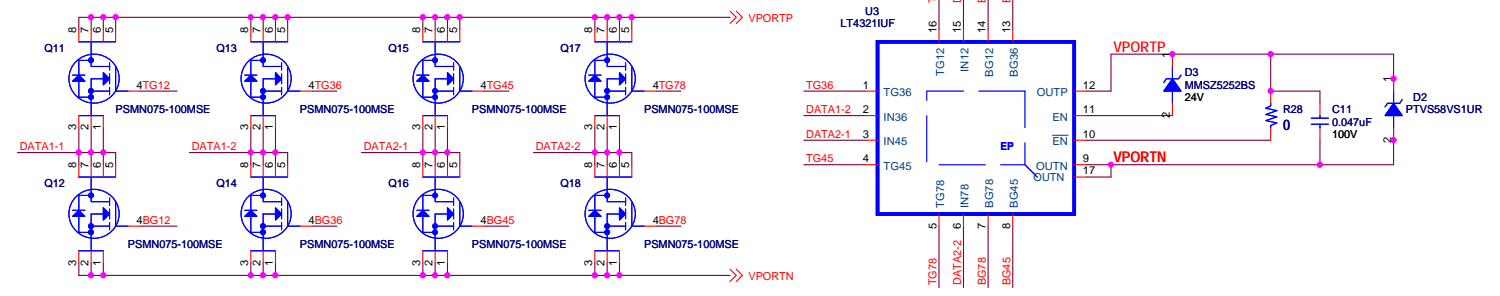
REVISION HISTORY				
ECO	REV	DESCRIPTION	APPROVED	DATE
1	4	PRODUCTION	KAUNG H.	1-7-2015


IN FROM
PoE+
PSE

OUT
TO
PHY



PoE IDEAL DIODE BRIDGE



CUSTOMER NOTICE LINEAR TECHNOLOGY HAS MADE A BEST EFFORT TO DESIGN A CIRCUIT THAT MEETS CUSTOMER-SUPPLIED SPECIFICATIONS; HOWEVER, IT REMAINS THE CUSTOMER'S RESPONSIBILITY TO VERIFY PROPER AND RELIABLE OPERATION IN THE ACTUAL APPLICATION. COMPONENT SUBSTITUTION AND PRINTED CIRCUIT BOARD LAYOUT MAY SIGNIFICANTLY AFFECT CIRCUIT PERFORMANCE OR RELIABILITY. CONTACT LINEAR TECHNOLOGY APPLICATIONS ENGINEERING FOR ASSISTANCE.		APPROVALS PCB DES. K. HTOO APP ENG. K. HTOO		 1630 McCarthy Blvd. Milpitas, CA 95035 Phone: (408)432-1900 www.linear.com Fax: (408)434-0507 LTC Confidential-For Customer Use Only
		TITLE: SCHEMATIC HIGH EFFICIENCY POE PD INTERFACE WITH INTEGRATED SWITCHING REGULATOR		
THIS CIRCUIT IS PROPRIETARY TO LINEAR TECHNOLOGY AND SUPPLIED FOR USE WITH LINEAR TECHNOLOGY PARTS.		SCALE = NONE DATE: Tuesday, March 31, 2015		SHEET 2 OF 2