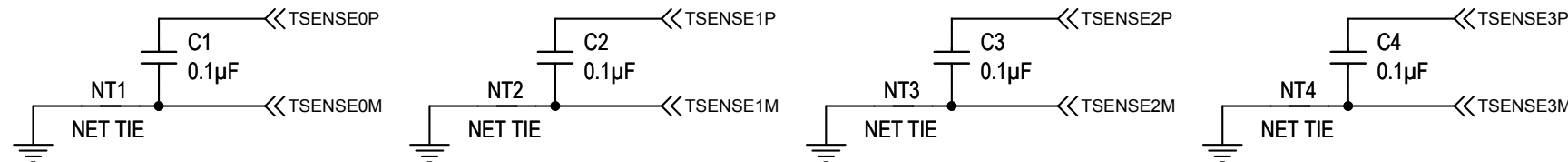
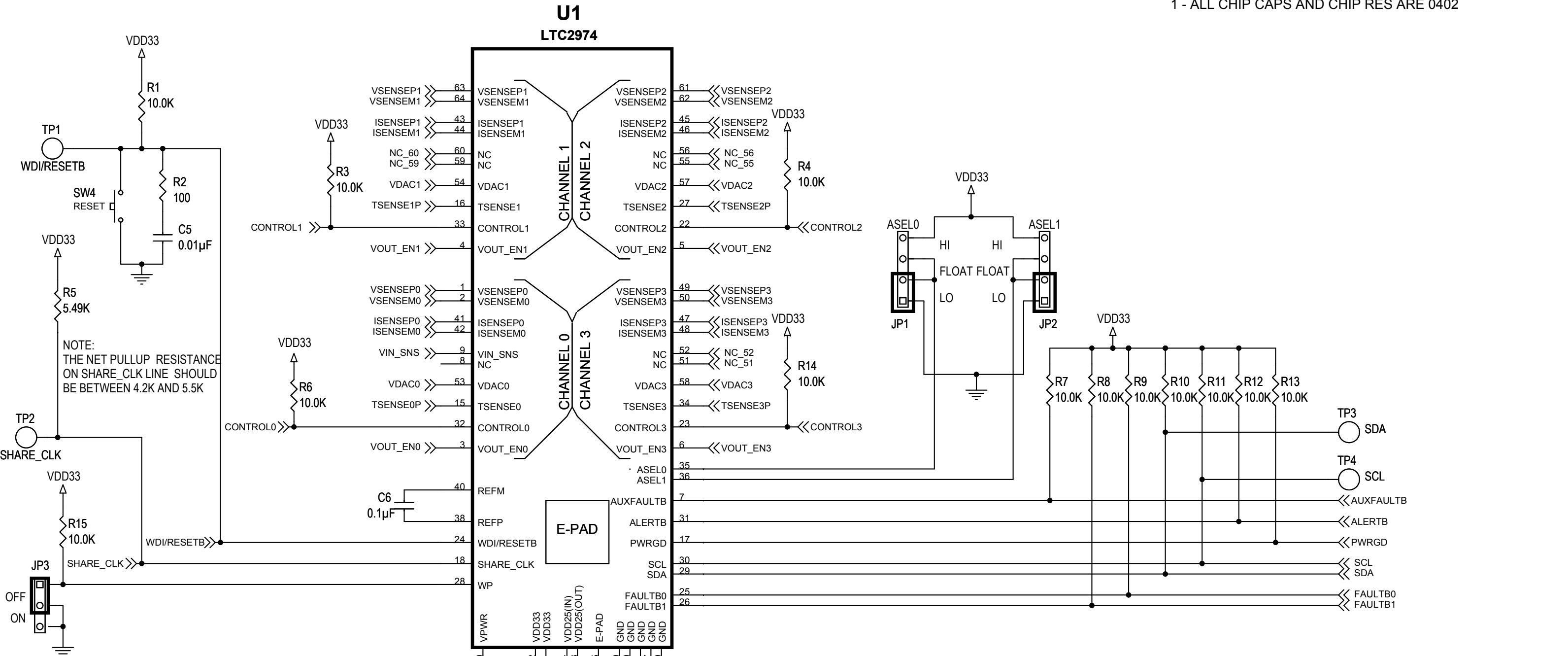


NOTE:
MAKE ALL TSENSE
TRACES SHIELDED
AND DIFFERENTIAL
PLACE CAPS
AND GND CONNECTIONS
CAPS NEAR LTC2974



REVISION HISTORY				
ECO	REV	DESCRIPTION	APPROVED	DATE
-	4	PRODUCTION	KALIN L.	08-31-11

NOTES - UNLESS OTHERWISE SPECIFIED:
1 - ALL CHIP CAPS AND CHIP RES ARE 0402



NOTE:
THE NET PULLUP RESISTANCE
ON SHARE_CLK LINE SHOULD
BE BETWEEN 4.2K AND 5.5K

CUSTOMER NOTICE
LINEAR TECHNOLOGY HAS MADE A BEST EFFORT TO DESIGN A CIRCUIT THAT MEETS CUSTOMER-SUPPLIED SPECIFICATIONS; HOWEVER, IT REMAINS THE CUSTOMER'S RESPONSIBILITY TO VERIFY PROPER AND RELIABLE OPERATION IN THE ACTUAL APPLICATION. COMPONENT SUBSTITUTION AND PRINTED CIRCUIT BOARD LAYOUT MAY SIGNIFICANTLY AFFECT CIRCUIT PERFORMANCE OR RELIABILITY. CONTACT LINEAR TECHNOLOGY APPLICATIONS ENGINEERING FOR ASSISTANCE.

THIS CIRCUIT IS PROPRIETARY TO LINEAR TECHNOLOGY AND SUPPLIED FOR USE WITH LINEAR TECHNOLOGY PARTS.

APPROVALS	
PCB DES.	S. M.
APP ENG.	KALIN L.
SCALE = NONE	

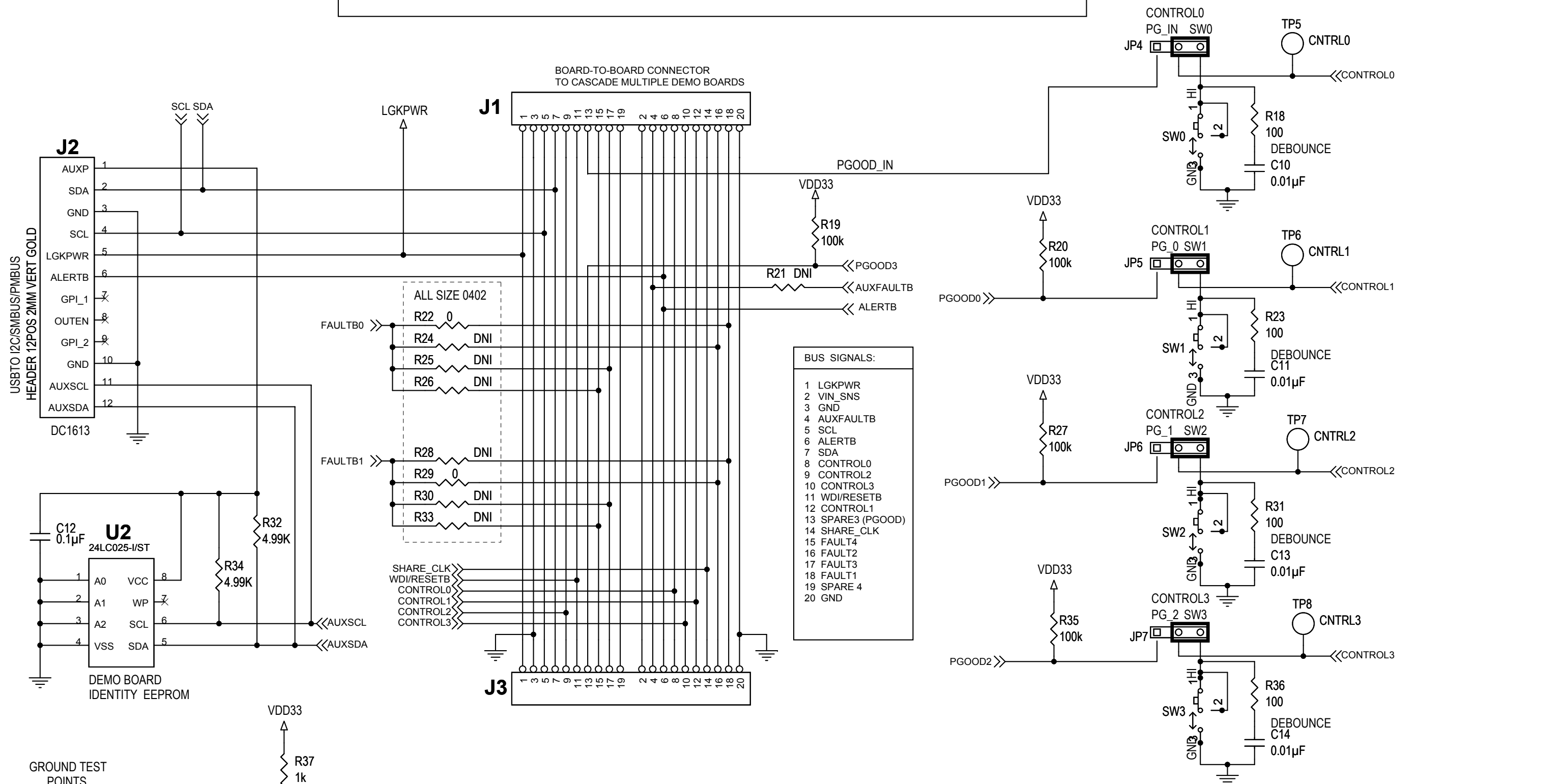
LINEAR TECHNOLOGY
1630 McCarthy Blvd.
Milpitas, CA 95035
Phone: (408)432-1900 www.linear.com
Fax: (408)434-0507
LTC Confidential-For Customer Use Only

TITLE: SCHEMATIC
QUAD DIGITAL POWER SUPPLY MANAGER WITH EEPROM

SIZE	IC NO.	REV.
N/A	LTC2974CUP DEMO CIRCUIT 1809A	4

DATE: Wednesday, August 31, 2011 SHEET 1 OF 3

ALL PARTS ON THIS PAGE ARE FOR DEMO ONLY, NOT NEEDED IN CUSTOMER DESIGN



- BUS SIGNALS:**
- 1 LGKPWR
 - 2 VIN_SNS
 - 3 GND
 - 4 AUXFAULTB
 - 5 SCL
 - 6 ALERTB
 - 7 SDA
 - 8 CONTROL0
 - 9 CONTROL2
 - 10 CONTROL3
 - 11 WDI/RESETB
 - 12 CONTROL1
 - 13 SPARE3 (PGOOD)
 - 14 SHARE_CLK
 - 15 FAULT4
 - 16 FAULT2
 - 17 FAULT3
 - 18 FAULT1
 - 19 SPARE 4
 - 20 GND

CUSTOMER NOTICE
 LINEAR TECHNOLOGY HAS MADE A BEST EFFORT TO DESIGN A CIRCUIT THAT MEETS CUSTOMER-SUPPLIED SPECIFICATIONS; HOWEVER, IT REMAINS THE CUSTOMER'S RESPONSIBILITY TO VERIFY PROPER AND RELIABLE OPERATION IN THE ACTUAL APPLICATION. COMPONENT SUBSTITUTION AND PRINTED CIRCUIT BOARD LAYOUT MAY SIGNIFICANTLY AFFECT CIRCUIT PERFORMANCE OR RELIABILITY. CONTACT LINEAR TECHNOLOGY APPLICATIONS ENGINEERING FOR ASSISTANCE.

THIS CIRCUIT IS PROPRIETARY TO LINEAR TECHNOLOGY AND SUPPLIED FOR USE WITH LINEAR TECHNOLOGY PARTS.

APPROVALS	
PCB DES.	S. M.
APP ENG.	KALIN L.
SCALE = NONE	

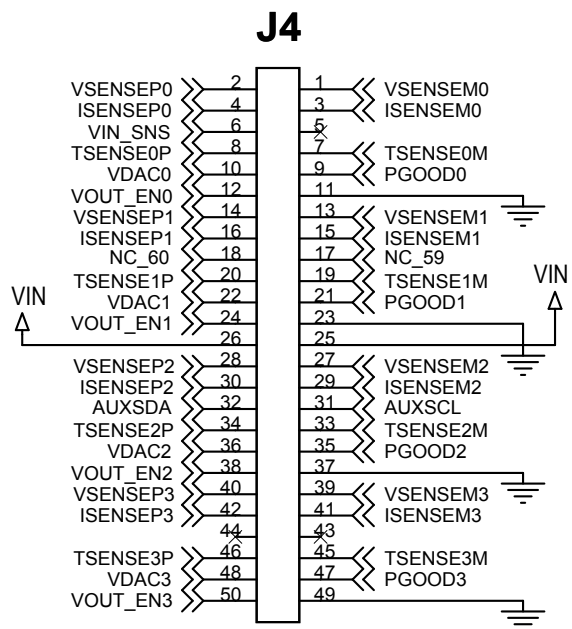
1630 McCarthy Blvd.
 Milpitas, CA 95035
 Phone: (408)432-1900 www.linear.com
 Fax: (408)434-0507
 LTC Confidential-For Customer Use Only

LINEAR TECHNOLOGY

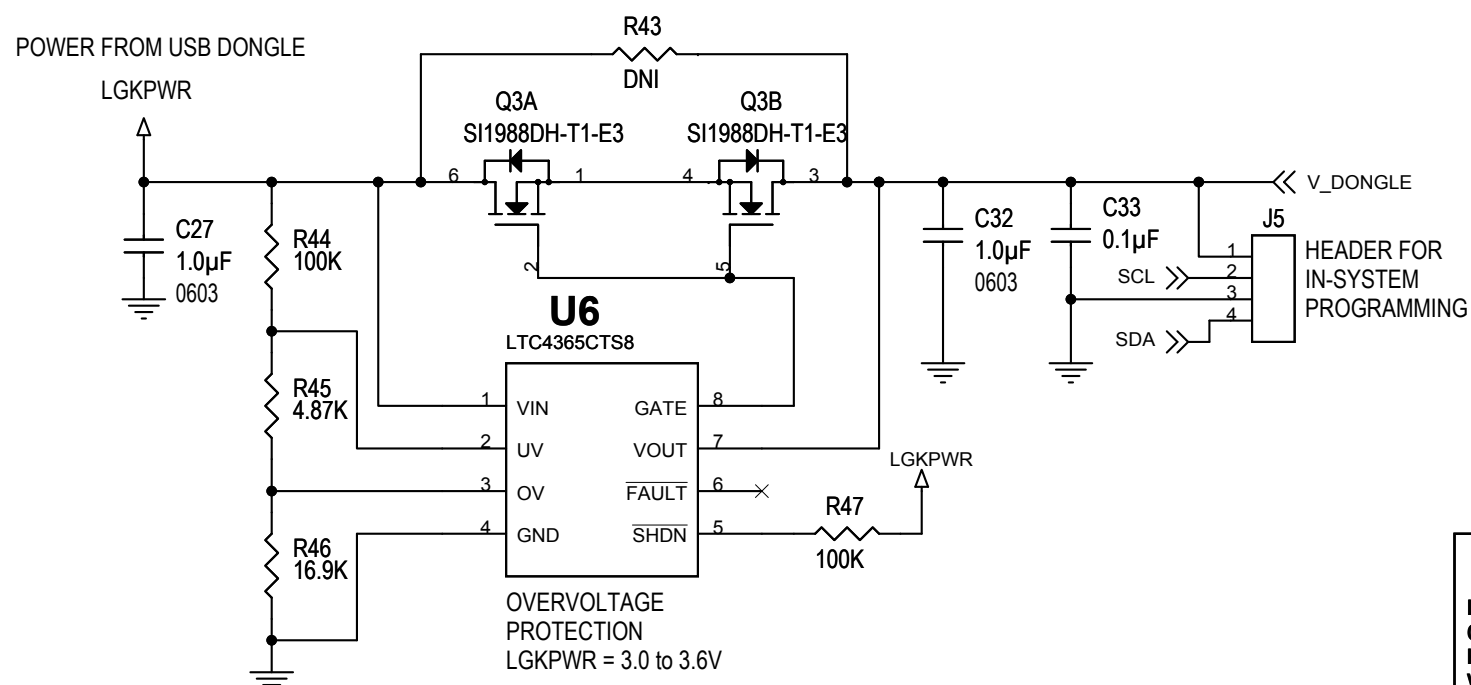
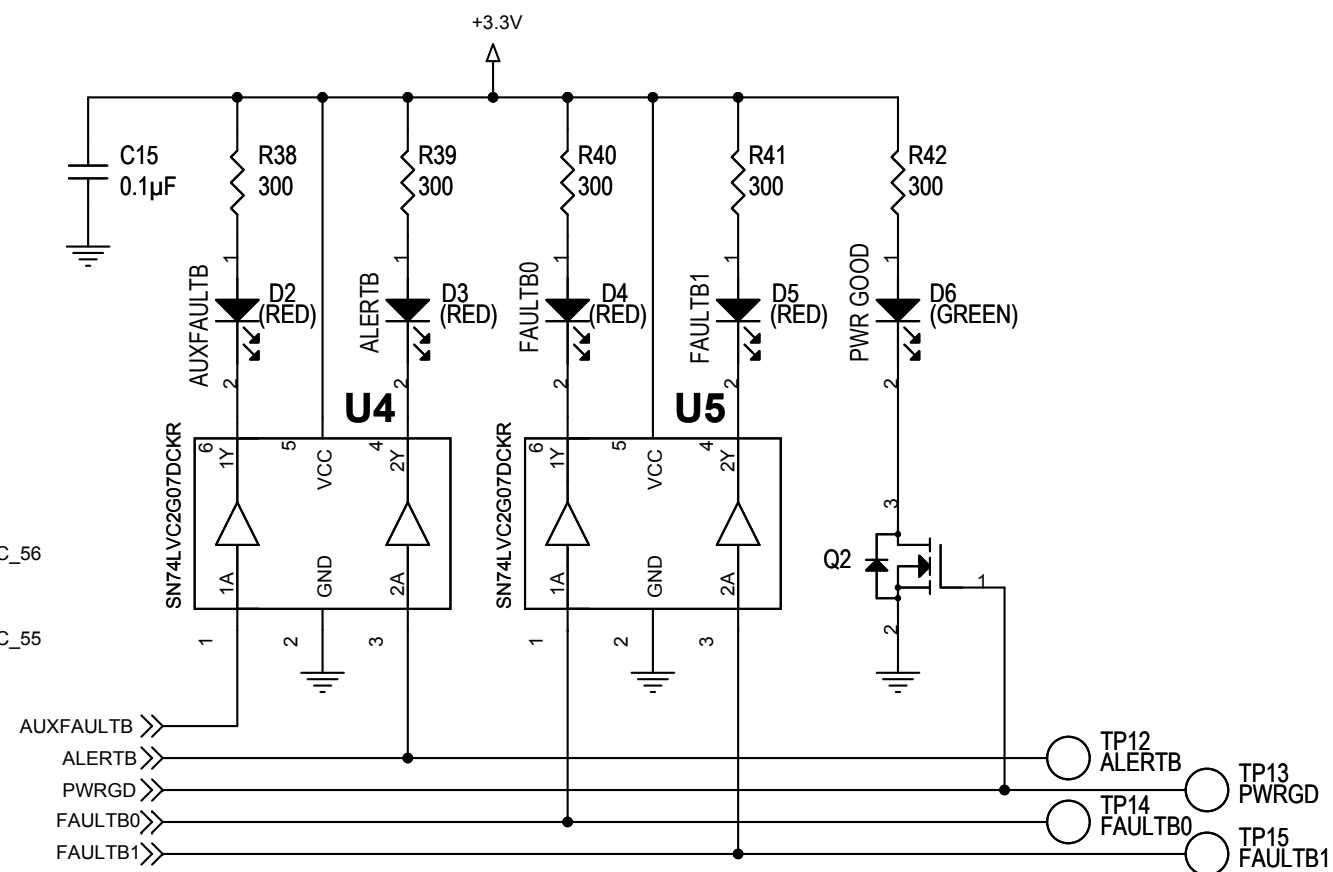
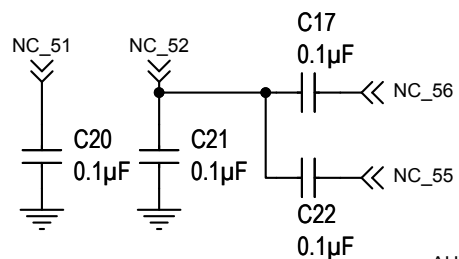
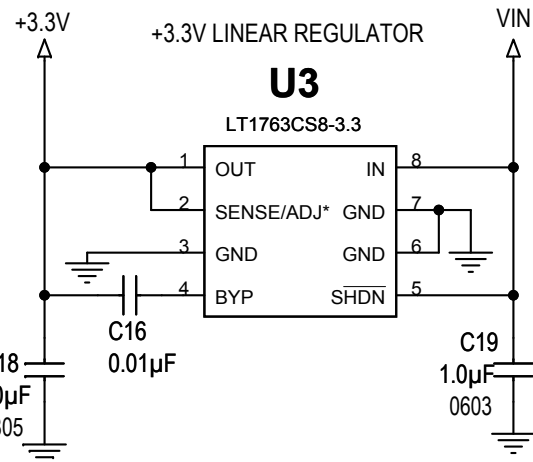
TITLE: SCHEMATIC
 QUAD DIGITAL POWER SUPPLY MANAGER WITH EEPROM

SIZE	IC NO.	REV.
N/A	LTC2974CUP DEMO CIRCUIT 1809A	4

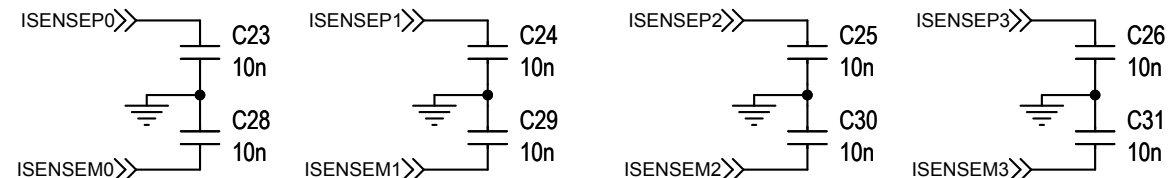
DATE: Wednesday, August 31, 2011 SHEET 2 OF 3



BOARD TO BOARD CONNECTOR MATES WITH DC1810A



OVERVOLTAGE PROTECTION LGKPWR = 3.0 to 3.6V

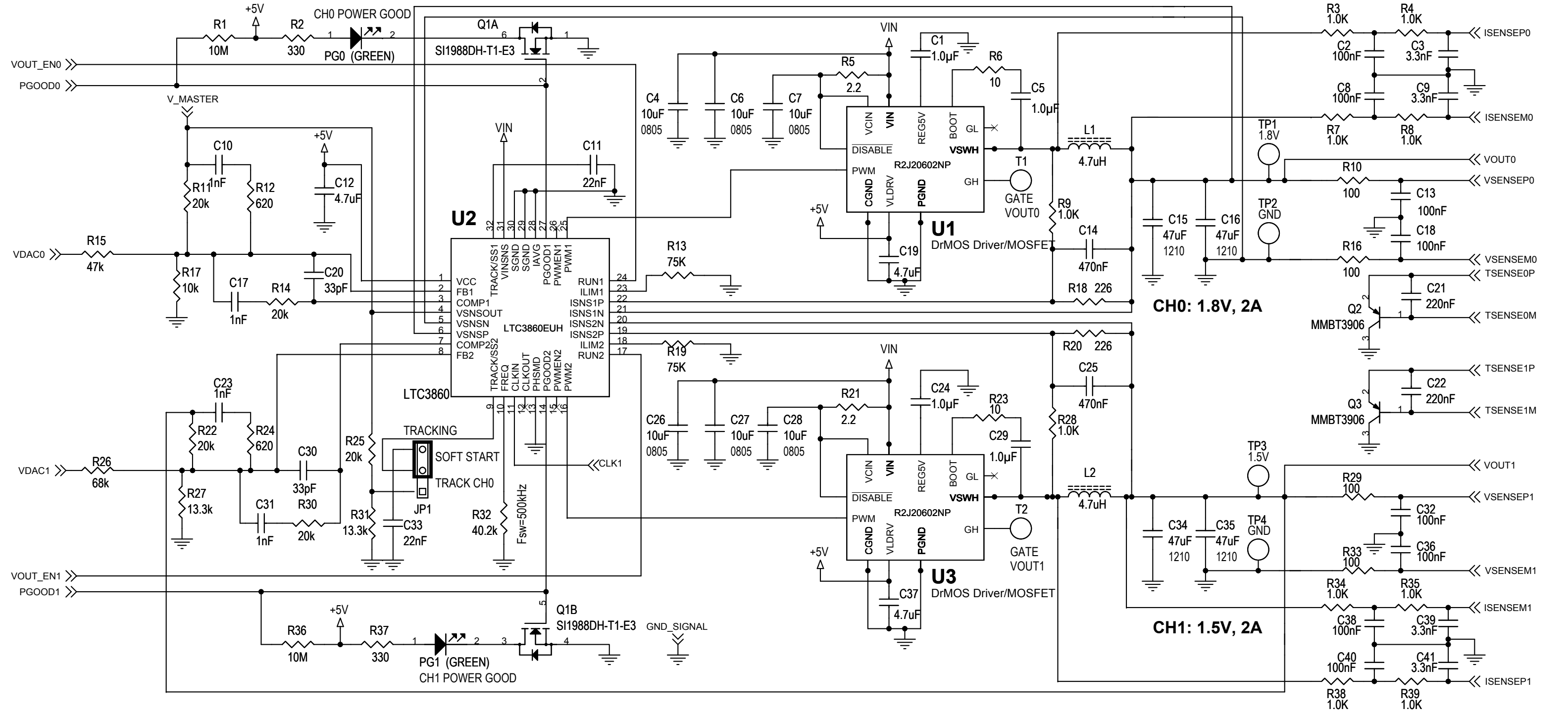


INPUT FILTERS FOR CURRENT SENSING PLACE CLOSE TO LTC2974

CUSTOMER NOTICE		APPROVALS		LINEAR TECHNOLOGY			
LINEAR TECHNOLOGY HAS MADE A BEST EFFORT TO DESIGN A CIRCUIT THAT MEETS CUSTOMER-SUPPLIED SPECIFICATIONS; HOWEVER, IT REMAINS THE CUSTOMER'S RESPONSIBILITY TO VERIFY PROPER AND RELIABLE OPERATION IN THE ACTUAL APPLICATION. COMPONENT SUBSTITUTION AND PRINTED CIRCUIT BOARD LAYOUT MAY SIGNIFICANTLY AFFECT CIRCUIT PERFORMANCE OR RELIABILITY. CONTACT LINEAR TECHNOLOGY APPLICATIONS ENGINEERING FOR ASSISTANCE.		PCB DES.	S. M.	1630 McCarthy Blvd. Milpitas, CA 95035 Phone: (408)432-1900 www.linear.com Fax: (408)434-0507 LTC Confidential-For Customer Use Only			
		APP ENG.	KALIN L.				
		TITLE: SCHEMATIC		SIZE	IC NO.	LTC2974CUP DEMO CIRCUIT 1809A	REV.
		QUAD DIGITAL POWER SUPPLY MANAGER WITH EEPROM		N/A			4
THIS CIRCUIT IS PROPRIETARY TO LINEAR TECHNOLOGY AND SUPPLIED FOR USE WITH LINEAR TECHNOLOGY PARTS.		SCALE = NONE		DATE:	Wednesday, August 31, 2011	SHEET 3 OF 3	

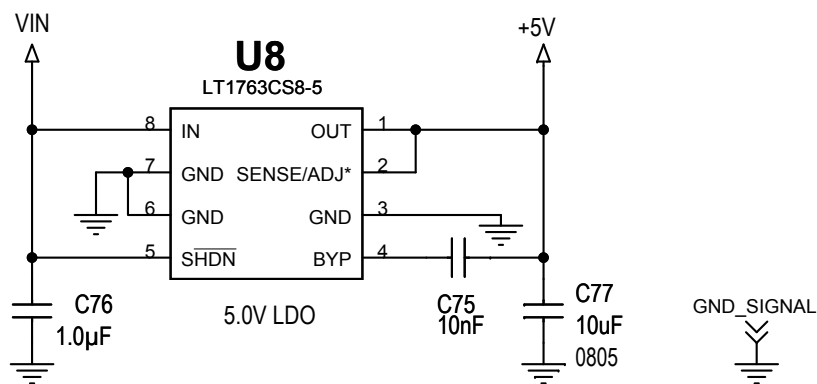
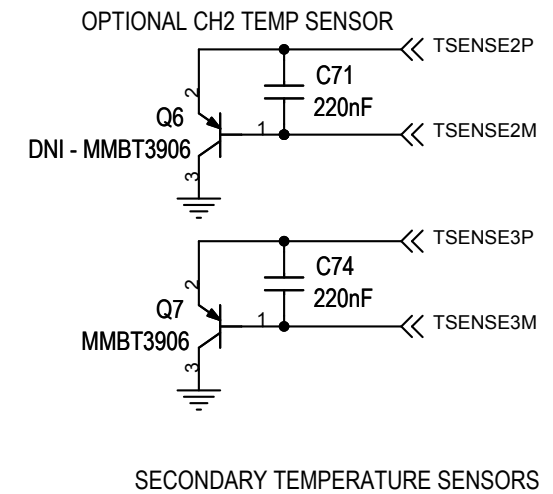
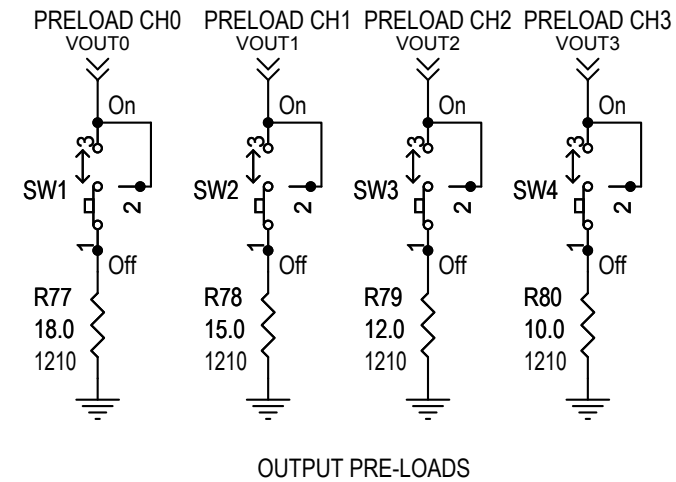
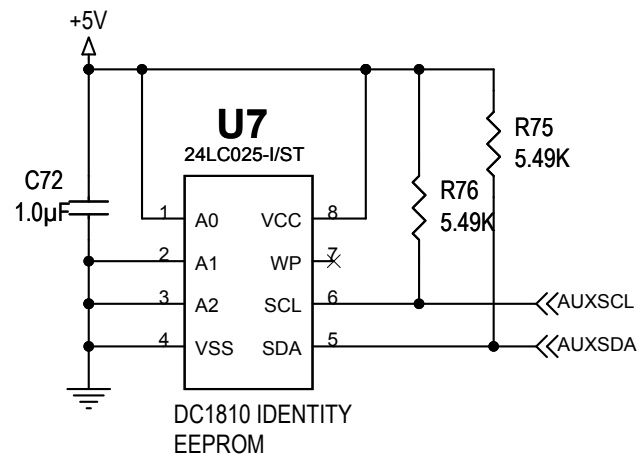
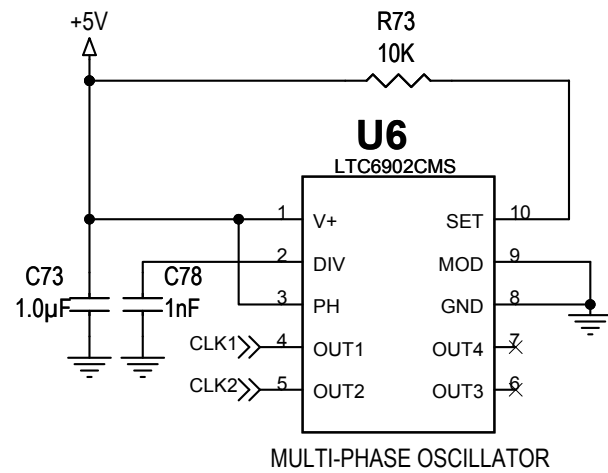
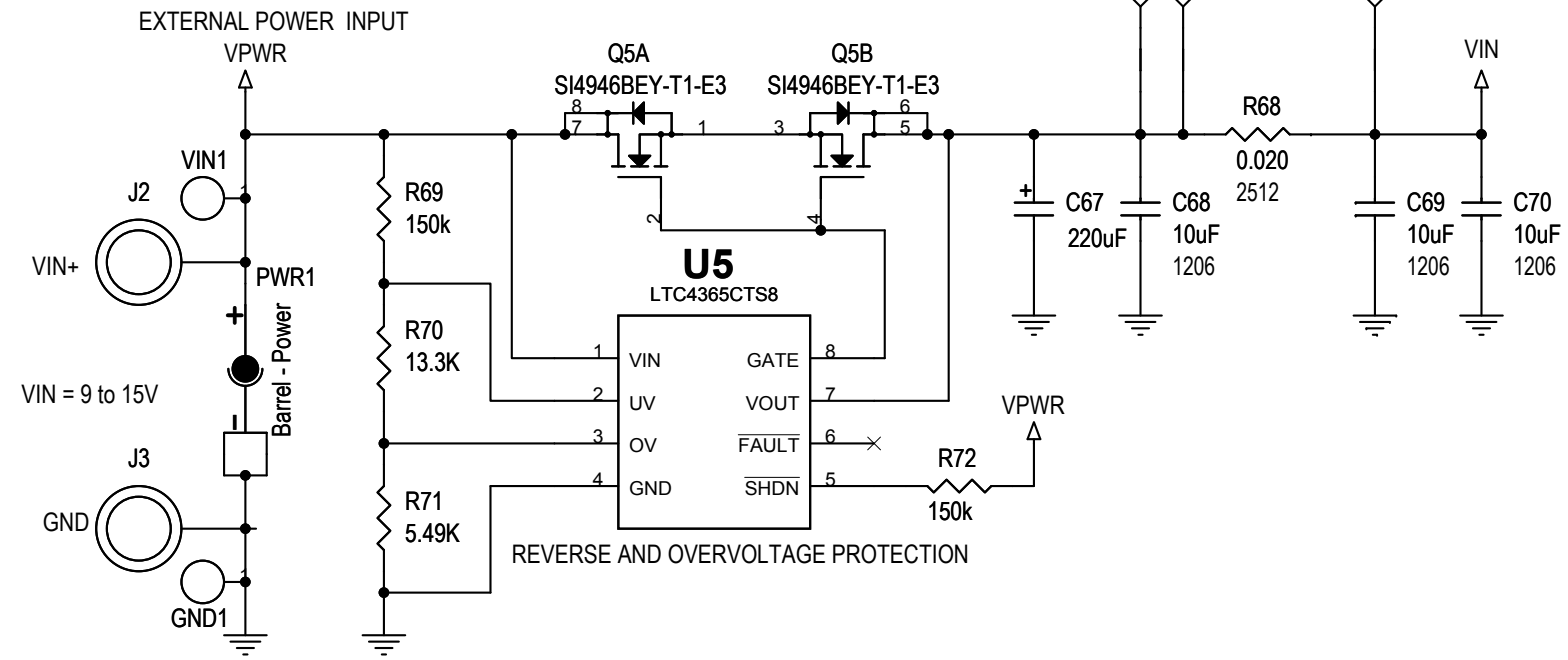
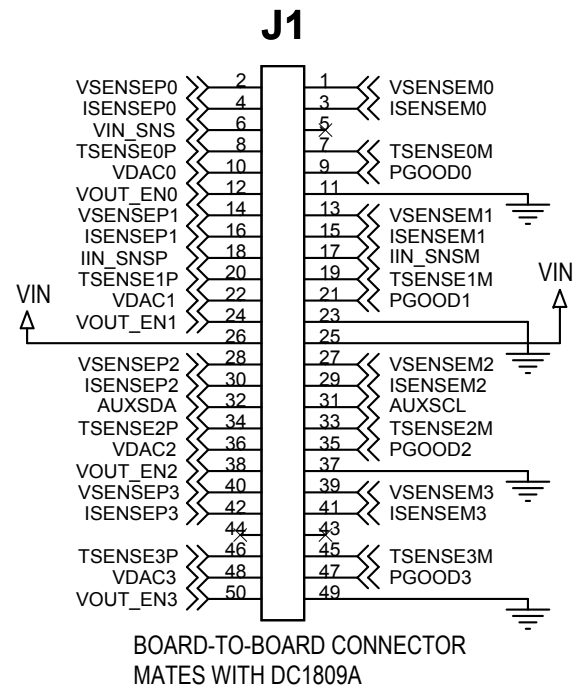
LTC3860 DUAL OUTPUT BUCK CONVERTER USING DrMOS

REVISION HISTORY				
ECO	REV	DESCRIPTION	APPROVED	DATE
—	4	PRODUCTION	KALIN L.	08-31-11



NOTES - UNLESS OTHERWISE SPECIFIED:
 1 - ALL CHIP CAPS AND CHIP RES ARE 0603

CUSTOMER NOTICE		APPROVALS		LINEAR TECHNOLOGY	
LINEAR TECHNOLOGY HAS MADE A BEST EFFORT TO DESIGN A CIRCUIT THAT MEETS CUSTOMER-SUPPLIED SPECIFICATIONS; HOWEVER, IT REMAINS THE CUSTOMER'S RESPONSIBILITY TO VERIFY PROPER AND RELIABLE OPERATION IN THE ACTUAL APPLICATION. COMPONENT SUBSTITUTION AND PRINTED CIRCUIT BOARD LAYOUT MAY SIGNIFICANTLY AFFECT CIRCUIT PERFORMANCE OR RELIABILITY. CONTACT LINEAR TECHNOLOGY APPLICATIONS ENGINEERING FOR ASSISTANCE.		PCB DES.	S. M.	1630 McCarthy Blvd. Milpitas, CA 95035 Phone: (408)432-1900 www.linear.com Fax: (408)434-0507 LTC Confidential-For Customer Use Only	
THIS CIRCUIT IS PROPRIETARY TO LINEAR TECHNOLOGY AND SUPPLIED FOR USE WITH LINEAR TECHNOLOGY PARTS.		APP ENG.	KALIN L.		
				TITLE: SCHEMATIC	
				QUAD DIGITAL POWER SUPPLY MANAGER	
		SIZE	IC NO.	LTC2974CUP	
		N/A		DEMO CIRCUIT 1810A	
		SCALE = NONE		DATE:	Wednesday, August 31, 2011
				SHEET 1	OF 3



CUSTOMER NOTICE		APPROVALS		LINEAR TECHNOLOGY		
LINEAR TECHNOLOGY HAS MADE A BEST EFFORT TO DESIGN A CIRCUIT THAT MEETS CUSTOMER-SUPPLIED SPECIFICATIONS; HOWEVER, IT REMAINS THE CUSTOMER'S RESPONSIBILITY TO VERIFY PROPER AND RELIABLE OPERATION IN THE ACTUAL APPLICATION. COMPONENT SUBSTITUTION AND PRINTED CIRCUIT BOARD LAYOUT MAY SIGNIFICANTLY AFFECT CIRCUIT PERFORMANCE OR RELIABILITY. CONTACT LINEAR TECHNOLOGY APPLICATIONS ENGINEERING FOR ASSISTANCE.		PCB DES.	S. M.	1630 McCarthy Blvd. Milpitas, CA 95035 Phone: (408)432-1900 www.linear.com Fax: (408)434-0507 LTC Confidential-For Customer Use Only		
		APP ENG.	KALIN L.			
		THIS CIRCUIT IS PROPRIETARY TO LINEAR TECHNOLOGY AND SUPPLIED FOR USE WITH LINEAR TECHNOLOGY PARTS.		SCALE = NONE		TITLE: SCHEMATIC QUAD DIGITAL POWER SUPPLY MANAGER
				SIZE	IC NO.	LTC2974CUP DEMO CIRCUIT 1810A
		N/A			4	
		DATE:	Wednesday, August 31, 2011		SHEET 3 OF 3	