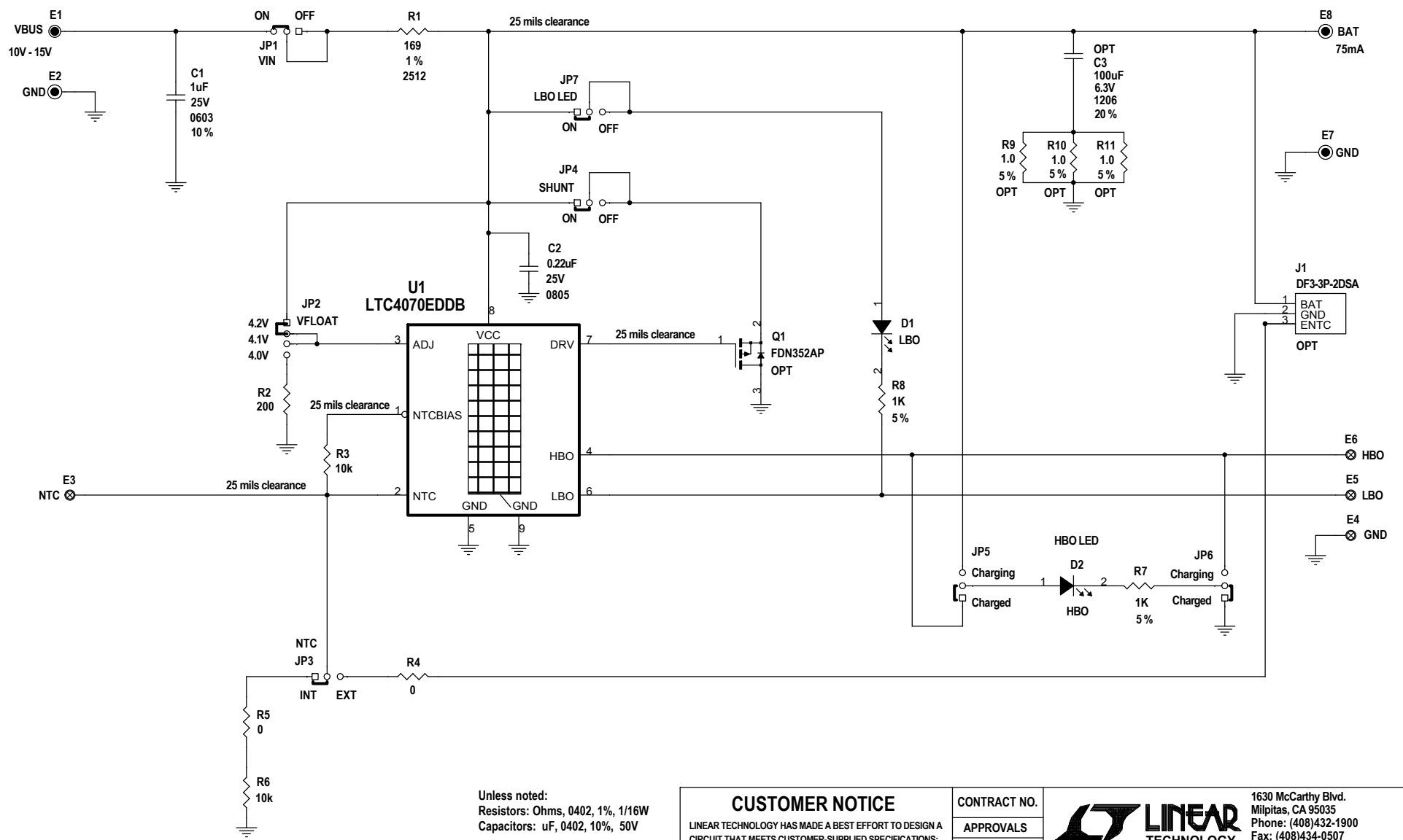


REVISION HISTORY				
ECO	REV	DESCRIPTION	APPROVED	DATE
	A	PRODUCTION RELEASE	NJC	10/15/09



Unless noted:  
 Resistors: Ohms, 0402, 1%, 1/16W  
 Capacitors: uF, 0402, 10%, 50V

<p><b>CUSTOMER NOTICE</b></p> <p>LINEAR TECHNOLOGY HAS MADE A BEST EFFORT TO DESIGN A CIRCUIT THAT MEETS CUSTOMER-SUPPLIED SPECIFICATIONS; HOWEVER, IT REMAINS THE CUSTOMER'S RESPONSIBILITY TO VERIFY PROPER AND RELIABLE OPERATION IN THE ACTUAL APPLICATION. COMPONENT SUBSTITUTION AND PRINTED CIRCUIT BOARD LAYOUT MAY SIGNIFICANTLY AFFECT CIRCUIT PERFORMANCE OR RELIABILITY. CONTACT LINEAR TECHNOLOGY APPLICATIONS ENGINEERING FOR ASSISTANCE.</p> <p>THIS CIRCUIT IS PROPRIETARY TO LINEAR TECHNOLOGY AND SUPPLIED FOR USE WITH LINEAR TECHNOLOGY PARTS.</p>		CONTRACT NO.	<p>1630 McCarthy Blvd.          Milpitas, CA 95035          Phone: (408)432-1900          Fax: (408)434-0507          LTC Confidential-For Customer Use Only</p>
		APPROVALS	
		DRAWN: G. Barbehenn	
		CHECKED:	
		APPROVED:	
ENGINEER: G. Barbehenn	TITLE:		
DESIGNER:	<p>LTC4070EDDB: SIMPLE LOW - Iq BATTERY CHARGER / PROTECTOR WITH NTC THERMISTOR INPUT</p> <p>SIZE X DWG NO. <b>DC1584A</b> REV <b>A</b></p>		
	DATE: Wednesday, November 04, 2009	SHEET 1 OF 1	