

**Circuits from the Lab<sup>®</sup>**  
Reference Designs

*Circuits from the Lab<sup>®</sup> reference designs are engineered and tested for quick and easy system integration to help solve today's analog, mixed-signal, and RF design challenges. For more information and/or support, visit [www.analog.com/CN0221](http://www.analog.com/CN0221).*

### Devices Connected/Referenced

ADuCM360/ ADuCM361	Cortex-M3 Based Microcontroller with Dual 24-Bit $\Sigma$ - $\Delta$ ADCs
ADP1720-3.3	Low Dropout Linear Regulator

## USB-Based, Thermocouple Temperature Measurement System Using ARM Cortex-M3

### EVALUATION AND DESIGN SUPPORT

#### Circuit Evaluation Board

[CN-0221 Evaluation Board \(EVAL-ADuCM360TCZ\)](#)

#### Design and Integration Files

[Schematics, Layout Files, Bill of Materials, source code for ADuCM360](#)

### CIRCUIT FUNCTION AND BENEFITS

This circuit uses the ADuCM360/ADuCM361 precision analog microcontroller in an accurate thermocouple temperature monitoring application. The ADuCM360/ADuCM361 integrates dual 24-bit sigma-delta ( $\Sigma$ - $\Delta$ ) analog-to-digital converters (ADCs), dual programmable current sources, a 12-bit digital-to-analog

converter (DAC), and a 1.2 V internal reference, as well as an ARM Cortex-M3 core, 128 kB flash, 8 kB SRAM, and various digital peripherals such as UART, timers, SPIs, and I<sup>2</sup>C interfaces.

In the circuit, the ADuCM360/ADuCM361 is connected to a thermocouple and a 100  $\Omega$  platinum resistance temperature detector (RTD). The RTD is used for cold junction compensation.

In the source code, an ADC sampling rate of 4 Hz is chosen. When the ADC input programmable gain amplifier (PGA) is configured for a gain of 32, the noise-free code resolution of the ADuCM360/ADuCM361 is greater than 18 bits.

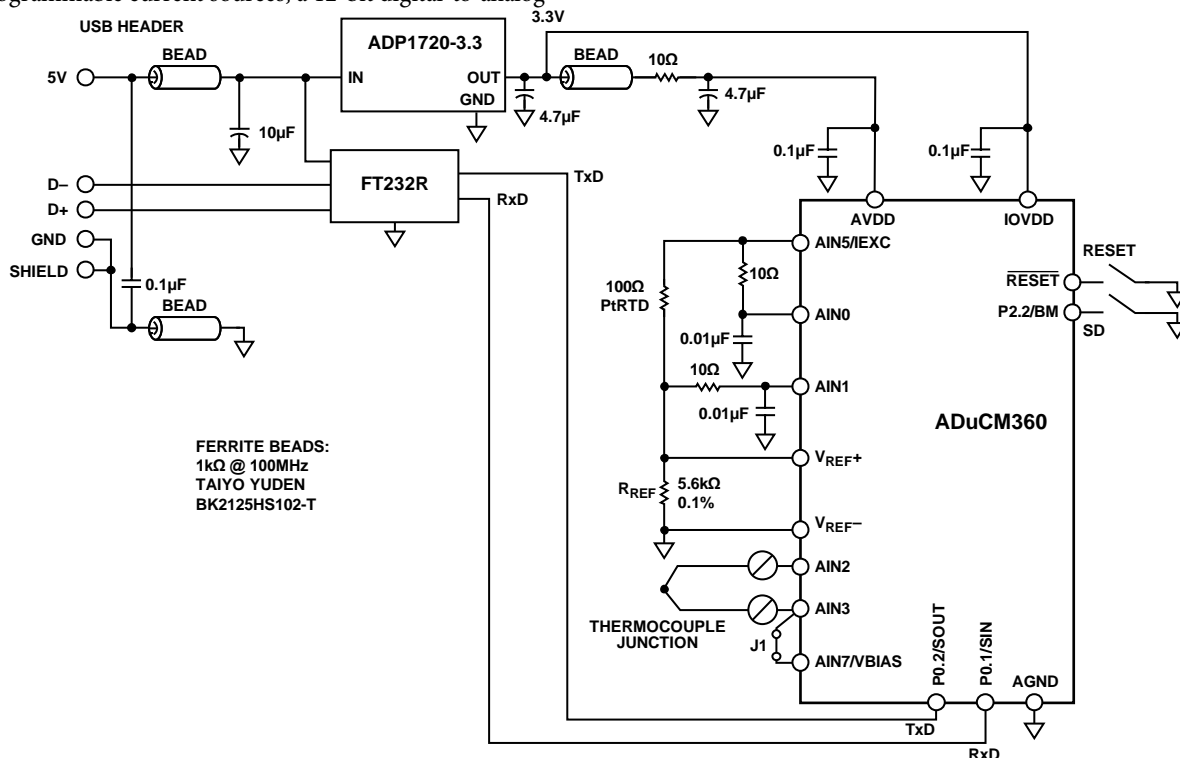


Figure 1. ADuCM360/ADuCM361 as a Temperature Monitor Controller with a Thermocouple Interface (Simplified Schematic, All Connections Not Shown)

#### Rev. C

Circuits from the Lab<sup>®</sup> reference designs from Analog Devices have been designed and built by Analog Devices engineers. Standard engineering practices have been employed in the design and construction of each circuit, and their function and performance have been tested and verified in a lab environment at room temperature. However, you are solely responsible for testing the circuit and determining its suitability and applicability for your use and application. Accordingly, in no event shall Analog Devices be liable for direct, indirect, special, incidental, consequential or punitive damages due to any cause whatsoever connected to the use of any Circuits from the Lab circuits. (Continued on last page)

## CIRCUIT DESCRIPTION

The following features of the [ADuCM360/ADuCM361](#) are used in this application:

- A 24-bit  $\Sigma$ - $\Delta$  ADC with a PGA set for a gain of 32 in the software for the thermocouple and RTD. The ADC1 was switched continuously between sampling the thermocouple and the RTD voltages.
- Programmable excitation current sources for forcing a controlled current through the RTD. The dual current sources are configurable in from 0  $\mu$ A to 2 mA. For this example, a 200  $\mu$ A setting was used to minimize the error introduced by the RTD self-heating.
- An internal 1.2 V reference for the ADC in the [ADuCM360/ADuCM361](#). It measures the thermocouple voltage; the internal voltage reference was used due to its precision.
- An external voltage reference for the ADC in the [ADuCM360/ADuCM361](#). It measures the RTD resistance; a ratiometric setup was used where an external reference resistor ( $R_{REF}$ ) was connected across the external VREF+ and VREF- pins.
- A bias voltage generator (VBIAS). The VBIAS function was used to set the thermocouple common-mode voltage to AVDD/2.
- The ARM Cortex-M3 core. The powerful 32-bit ARM core with integrated 128 kB flash and 8 kB SRAM memory runs the user code that configures and controls the ADC, processes the ADC conversions from the RTD, and controls the communications over the UART/USB interface.
- The UART was used as the communication interface to the host PC.
- Two external switches are used to force the part into its flash boot mode. By holding SD low and toggling the RESET button, the [ADuCM360/ADuCM361](#) enters boot mode instead of normal user mode. In boot mode, the internal flash can be reprogrammed through the UART interface.

Both the thermocouple and the RTD generate very small signals; therefore, a PGA is required to amplify those signals.

The thermocouple used in this application is a Type T (copper-constantan) that has a temperature range of  $-200^{\circ}\text{C}$  to  $+350^{\circ}\text{C}$ . Its sensitivity is approximately  $40 \mu\text{V}/^{\circ}\text{C}$ , which means that the ADC in bipolar mode, with a PGA gain of 32, can cover the entire temperature range of the thermocouple.

The RTD was used for cold junction compensation. The particular one used in this circuit was a platinum 100  $\Omega$  RTD, Encorcop PCS 1.1503.1. It is available in a 0805, surface-mount package. This RTD has a temperature variation of  $0.385 \Omega/^{\circ}\text{C}$ .

Note that the reference resistor,  $R_{REF}$ , should be a precision 5.6 k $\Omega$  ( $\pm 0.1\%$ ).

The USB interface to the [ADuCM360/ADuCM361](#) is implemented with an FT232R UART to USB transceiver, which converts USB signals directly to the UART.

In addition to the decoupling shown Figure 1, the USB cable itself must have a ferrite bead for added EMI/RFI protection. The ferrite beads used in the circuit were Taiyo Yuden, #BK2125HS102-T, which have an impedance of 1000  $\Omega$  at 100 MHz.

Construct the circuit on a multilayer printed circuit board (PCB) with a large area ground plane. Use proper layout, grounding, and decoupling techniques to achieve optimum performance (see [Tutorial MT-031, Grounding Data Converters and Solving the Mystery of "AGND" and "DGND,"](#) [Tutorial MT-101, Decoupling Techniques,](#) and the [ADuCM360TCZ Evaluation Board](#) layout).

The PCB used for evaluating this circuit is shown in Figure 2.

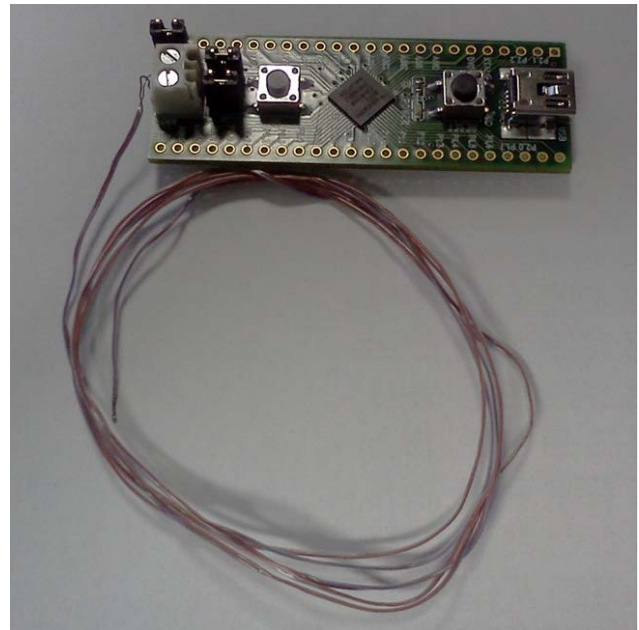


Figure 2. EVAL-ADuCM360TCZ Board Used for this Circuit

09885-002

**Code Description**

The link to the source code used to test the circuit can be found in the CN0221 Design Support Package at <http://www.analog.com/CN0221-DesignSupport>

The UART is configured for a baud rate of 9600, 8 data bits, no parity, and no flow control. If the circuit is connected directly to a PC, a communication port viewing application, such as a HyperTerminal, can be used to view the results sent by the program to the UART, as shown in Figure 3.

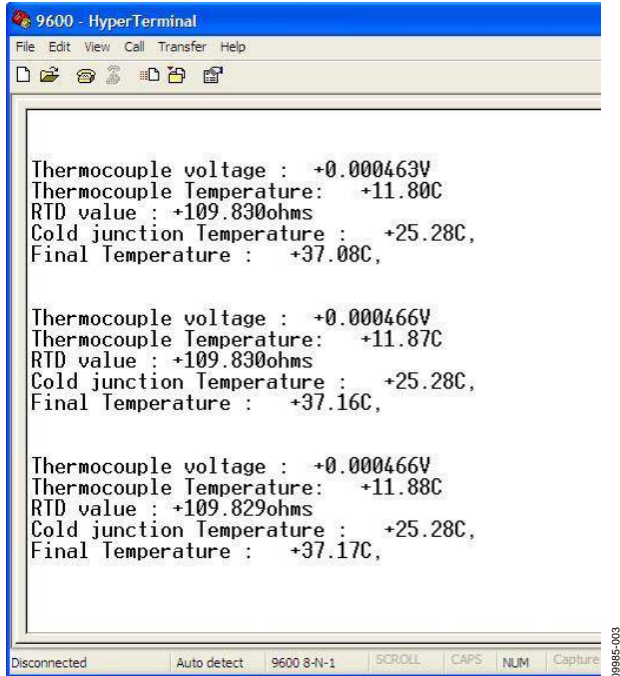


Figure 3. Output of HyperTerminal Communication Port Viewing Application

To get a temperature reading, measure the temperature of the thermocouple and the RTD. The RTD temperature is converted to its equivalent thermocouple voltage via a look-up table (see the ISE, Inc., ITS-90 Table for Type T Thermocouple). These two voltages are added together to give the absolute value at the thermocouple.

First, the voltage measured between the two wires of the thermocouple (V1). The RTD voltage is measured, converted to a temperature via a look-up table, and then, this temperature is converted to its equivalent thermocouple voltage (V2). V1 and V2 are then added to give the overall thermocouple voltage, and this is then converted to the final temperature measurement.

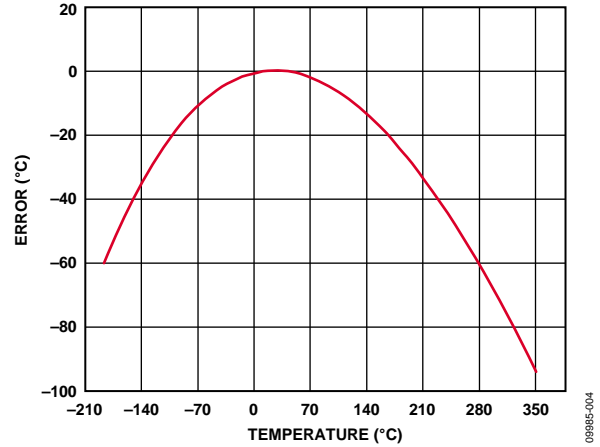


Figure 4. Error When Using Simple Linear Approximation

Initially, this was done using a simple linear assumption that the voltage on the thermocouple was  $40 \mu\text{V}/^\circ\text{C}$ . It can be seen from Figure 4 that this gives an acceptable error only for a small range, around 0°C. A better way of calculating the thermocouple temperatures is to use a six-order polynomial for the positive temperatures and a seventh-order polynomial for the negative temperatures. This requires mathematical operations that add to computational time and code size. A suitable compromise is to calculate the respective temperatures for a fixed number of voltages. These temperatures are stored in an array, and values in between are calculated using a linear interpolation between the adjacent points. It can be seen from Figure 5 that the error is drastically reduced using this method. Figure 5 gives the algorithm error using ideal thermocouple voltages.

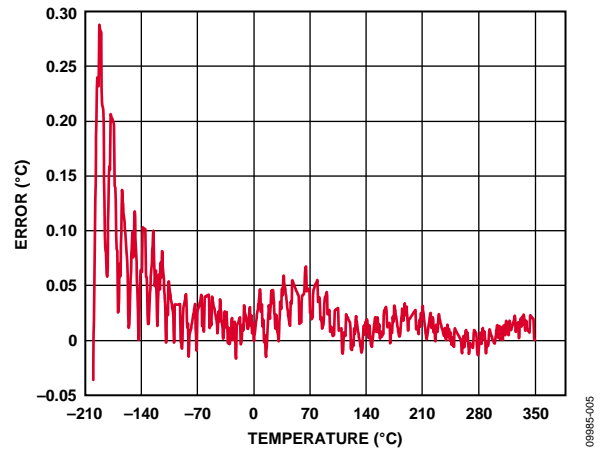


Figure 5. Error When Using Piecewise Linear Approximation Using 52 Calibration Points and Ideal Measurements

Figure 6 shows the error obtained when using ADC1 on the [ADuCM360](#) to measure 52 thermocouple voltages over the full thermocouple operating range. The overall worst-case error is  $<1^{\circ}\text{C}$ .

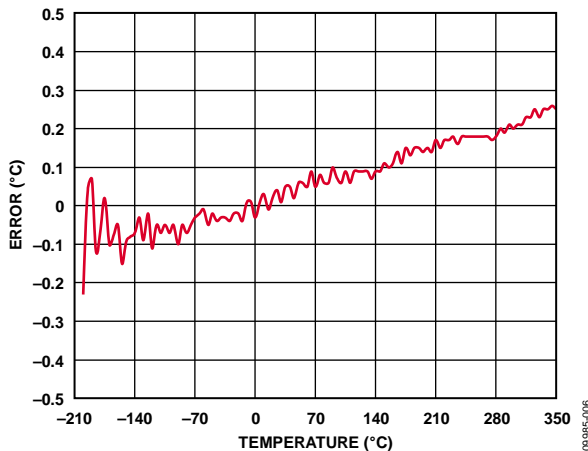


Figure 6. Error When Using Piecewise Linear Approximation Using 52 Calibration Points Measured by [ADuCM360/ADuCM361](#)

The RTD temperature is calculated using lookup tables and is implemented for the RTD the same way as for the thermocouple. Note that the RTD has a different polynomial describing its temperatures as a function of resistance.

For details on linearization and maximizing the performance of the RTD, refer to [Application Note AN-0970, RTD Interfacing and Linearization Using an ADuC706x Microcontroller](#).

## COMMON VARIATIONS

Note that the [ADuCM360/ADuCM361](#) can be programmed or debugged via a standard serial wire interface.

For a standard UART to RS-232 interface, the FT232R transceiver can be replaced with a device such as the [ADM3202](#), which requires a 3 V power supply. For a wider temperature range, a different thermocouple can be used, such as a Type J. To minimize the cold junction compensation error, a thermistor can be placed in contact with the actual cold junction instead of on the PCB.

Instead of using the RTD and external reference resistor for measuring the cold junction temperature, an external digital temperature sensor can be used. For example, the [ADT7410](#) can connect to the [ADuCM360/ADuCM361](#) via the I<sup>2</sup>C interface.

For more details on cold junction compensation, refer to [Sensor Signal Conditioning, Analog Devices, Chapter 7, "Temperature Sensors."](#)

If isolation between the USB connector and this circuit is required, the [ADuM3160/ADuM4160](#) isolation devices must be added.

## CIRCUIT EVALUATION AND TEST

To test and evaluate the circuit, the thermocouple measurements and the RTD measurements were evaluated separately.

### Thermocouple Measurement Test

The basic test setup is shown in Figure 7. The thermocouple is connected to J5, and Jumper J1 must be installed to allow the AIN7/VBIAS pin to set the thermocouple common-mode voltage. The circuit board receives its power from the USB connection to the PC.

Two methods were used to evaluate the performance of the circuit. Initially, the circuit was tested with the thermocouple attached to the board and it was used to measure the temperature of an ice bucket. Then, it was used to measure the temperature of boiling water.

A Wavetek 4808 Multifunction Calibrator was used to fully evaluate the error, as shown in Figure 4 and Figure 6. In this mode, the thermocouple was replaced with the calibrator as the voltage source, as shown in Figure 7. To evaluate the entire range of a Type T thermocouple, the calibrator was used to set the equivalent thermocouple voltage at 52 points between  $-200^{\circ}\text{C}$  to  $+350^{\circ}\text{C}$  for the negative and positive ranges of the T-type thermocouple (see the ISE, Inc., ITS-90 Table for Type T Thermocouple).

To evaluate the accuracy of the lookup algorithm, 551 voltage readings, equivalent to temperatures in the range of  $-200^{\circ}\text{C}$  to  $+350^{\circ}\text{C}$  spaced at  $+1^{\circ}\text{C}$ , were passed onto the temperature calculation functions. Errors were calculated for the linear method and the piecewise linear approximation method as is shown in Figure 4 and Figure 5.

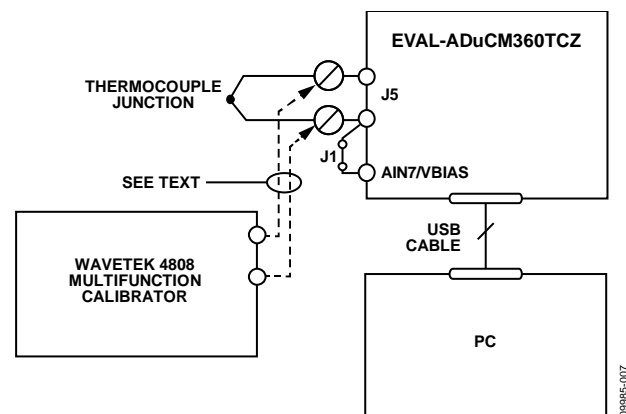


Figure 7. Test Setup Used to Calibrate and Test the Circuit Over Full Thermocouple Output Voltage Range

**RTD Measurement Test**

To evaluate the RTD circuit and linearization source code, the RTD on the board was replaced with an accurate, adjustable resistance source. The instrument used was the 1433-Z Decade Resistor. The RTD values are from 90 Ω to 140 Ω, which represents an RTD temperature range of -25°C to +114°C.

The test setup circuit is shown in Figure 8, and the error results for the RTD tests are shown in Figure 9.

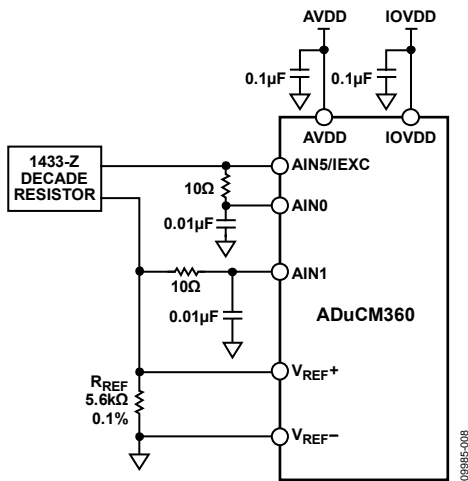


Figure 8. Test Setup for Measuring RTD Error

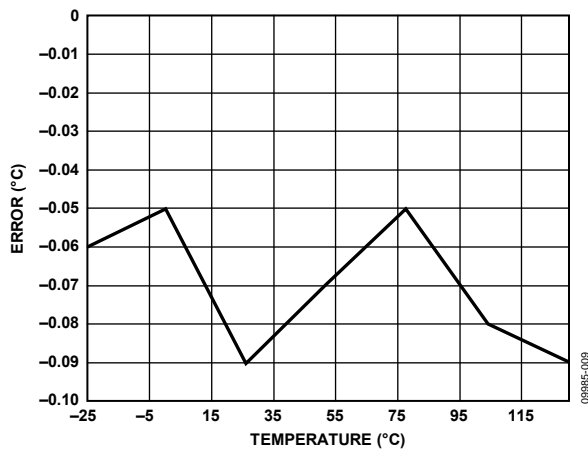


Figure 9. Error in °C of RTD Measurement Using Piecewise Linearization Code and ADC0 Measurements

**LEARN MORE**

- CN0221 Design Support Package:  
<http://www.analog.com/CN0221-DesignSupport>
- ADIsimPower Design Tool.
- Kester, Walt. 1999. *Sensor Signal Conditioning*. Analog Devices. Chapter 7, "Temperature Sensors."
- Kester, Walt. 1999. *Sensor Signal Conditioning*. Analog Devices. Chapter 8, "ADCs for Signal Conditioning."
- Looney, Mike. *RTD Interfacing and Linearization Using an ADuC706x Microcontroller*. AN-0970 Application Note. Analog Devices.
- MT-022 Tutorial, *ADC Architectures III: Sigma-Delta ADC Basics*. Analog Devices.
- MT-023 Tutorial, *ADC Architectures IV: Sigma-Delta ADC Advanced Concepts and Applications*. Analog Devices.
- MT-031 Tutorial, *Grounding Data Converters and Solving the Mystery of "AGND" and "DGND."* Analog Devices.
- MT-101 Tutorial, *Decoupling Techniques*. Analog Devices.
- ITS-90 Table for Type T Thermocouple.

**Data Sheets and Evaluation Boards**

- [ADuCM360/ADuCM361 Data Sheet](#)
- [ADuCM360/ADuCM361 Evaluation Kit](#)
- [ADM3202 UART to RS232 Transceiver Data Sheet](#)
- [ADP120 Data Sheet](#)
- [ADP1720 Data Sheet](#)

**REVISION HISTORY**

- 4/14—Rev. B to Rev. C
  - Change to Circuit Function and Benefits Section ..... 1
  - Change to Circuit Description Section ..... 2
  - Change to Common Variations Section ..... 4
- 12/13—Rev. A to Rev. B
  - Changes to Code Description Section ..... 3
- 8/13—Rev. 0 to Rev. A
  - Changes to Title..... 1
- 5/12—Revision 0: Initial Version

(Continued from first page) Circuits from the Lab reference designs are intended only for use with Analog Devices products and are the intellectual property of Analog Devices or its licensors. While you may use the Circuits from the Lab reference designs in the design of your product, no other license is granted by implication or otherwise under any patents or other intellectual property by application or use of the Circuits from the Lab reference designs. Information furnished by Analog Devices is believed to be accurate and reliable. However, Circuits from the Lab reference designs are supplied "as is" and without warranties of any kind, express, implied, or statutory including, but not limited to, any implied warranty of merchantability, noninfringement or fitness for a particular purpose and no responsibility is assumed by Analog Devices for their use, nor for any infringements of patents or other rights of third parties that may result from their use. Analog Devices reserves the right to change any Circuits from the Lab reference designs at any time without notice but is under no obligation to do so.