

Active Filter Evaluation Board for Differential Amplifiers

by John Ardizzoni

The EVAL-FLTR-DF-1RZ active filter evaluation board is designed to work with the Analog Devices, Inc., differential amplifiers. The filter board enables quick prototyping of two- or three-pole multiple feedback active filters. The board schematic shown in Figure 1 is for a low-pass filter. Converting the board from a low-pass filter to a high-pass filter is accomplished by swapping the location of the filter resistors and capacitors.

The boards also have provisions for edge-mounted SMA connectors, which simplify testing and integration. The input of the filter can be driven either single-ended or differentially.

The active filter evaluation boards are bare, which enables users to customize the filter design. The filter board assembly drawing is shown in Figure 2. All components are 0603 case sizes with the exception of the large bypass capacitors, which are 3216 case sizes.

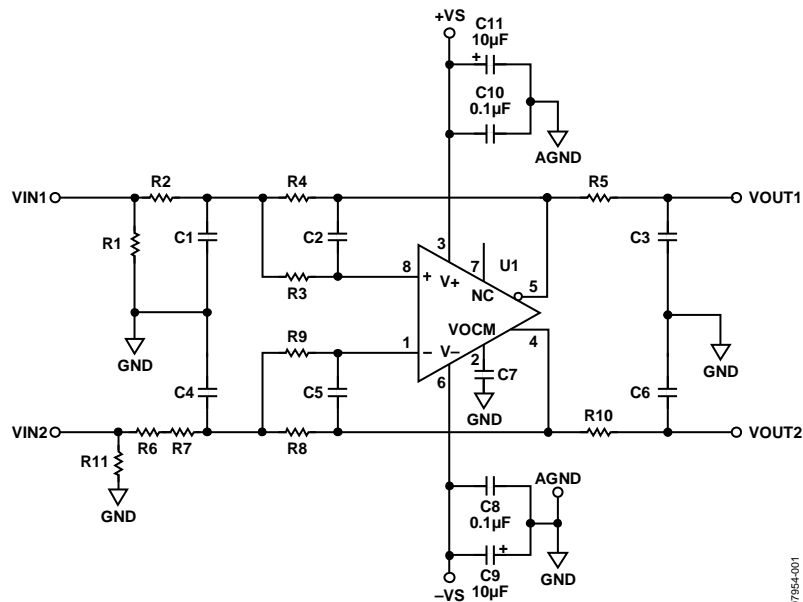


Figure 1. Active Filter Evaluation Board Schematic

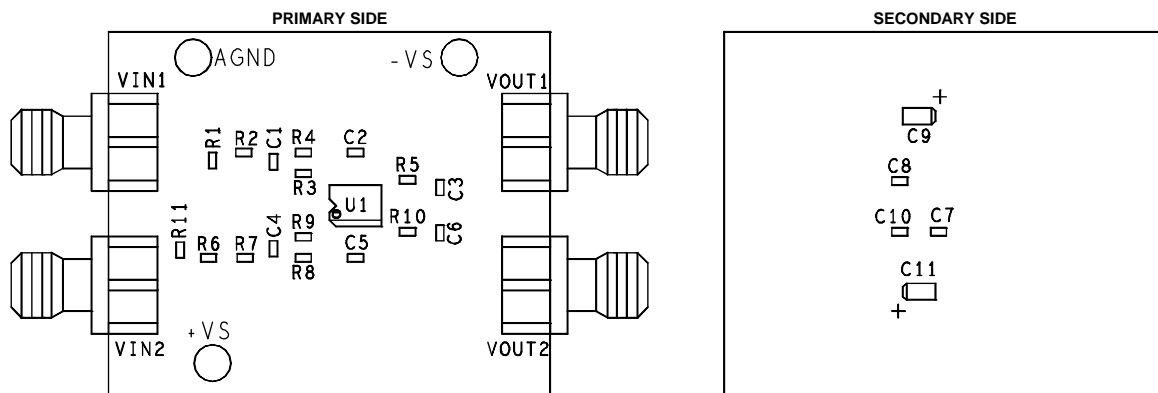


Figure 2. Active Filter Evaluation Board Assembly Drawing

NOTES