

Active Filter Evaluation Board for Standard SOIC Op Amps

by John Ardizzoni

The EVAL-FLTR-SO-1RZ active filter evaluation board is designed to work with standard pinout op amps. The filter board enables quick prototyping of two-, four-, or six-pole low- or high-pass Sallen-Key active filters. The board schematic shown in Figure 1 is for a low-pass filter. Converting the board from a low-pass filter to a high-pass filter is accomplished by swapping the location of the filter resistors and capacitors. The

board has provisions for edge-mounted SMA connectors, which simplify testing and integration.

The active filter evaluation board is bare, which enables the user to customize the filter design. The filter board assembly drawing is shown in Figure 2. All components are 0603 case sizes with the exception of the large bypass capacitors, which are 3216 case sizes.

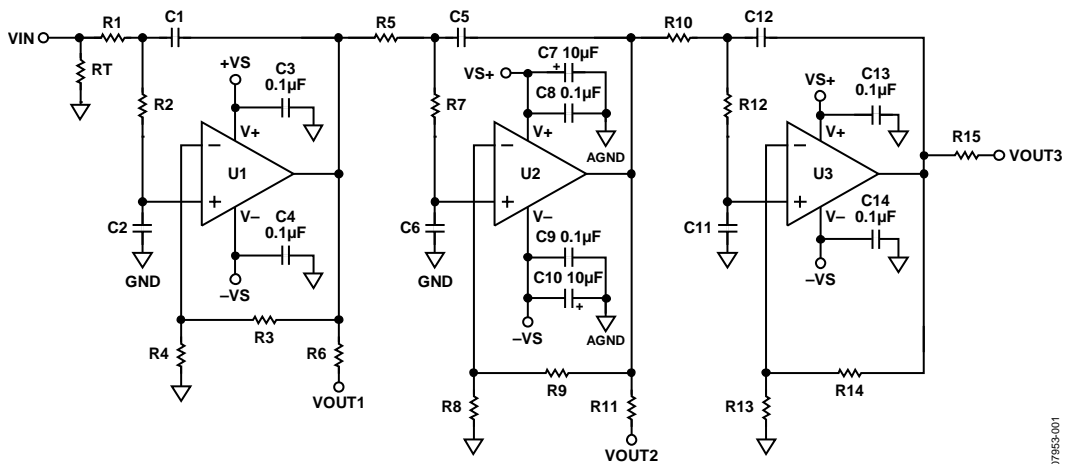


Figure 1. Active Filter Evaluation Board Schematic

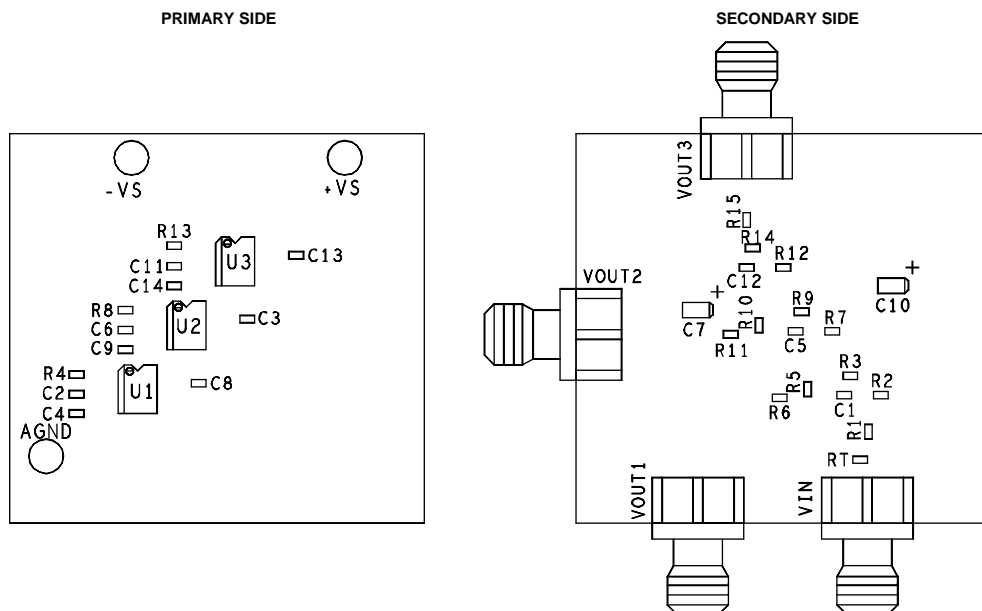


Figure 2. Active Filter Evaluation Board Assembly Drawing

NOTES