

Evaluation Board for the **ADM2484E** 5 kV Signal Isolated, ESD Protected, 500 kbps, Half-/Full Duplex, *iCoupler*, Isolated RS-485 Transceiver

FEATURES

Configurable as a half- or full duplex, isolated RS-485/RS-422 transceiver

Suitable for 5 V or 3.3 V operation on V_{DD1}

Suitable for 3.3 V operation on V_{DD2}

500 kbps data rate

256 nodes on bus

APPLICATIONS

Isolated RS-485/RS-422 interfaces

INTERBUS

Industrial field networks

Multipoint data transmission systems

EVALUATION KIT CONTENTS

[EVAL-ADM2484EEBZ](#)

GENERAL DESCRIPTION

The [EVAL-ADM2484EEBZ](#) allows the isolated [ADM2484E](#) RS-485 transceiver to be evaluated quickly and easily. The evaluation board allows all of the input and output functions to be exercised without the need for external components.

The [ADM2484E](#) differential bus transceiver is an integrated, galvanically isolated component designed for bidirectional data communication on multipoint bus transmission lines.

The device employs Analog Devices, Inc., *iCoupler*® technology to combine a 3-channel isolator, a three-state differential line driver, and a differential input receiver into a single package. The logic side of the device is powered with either a 5 V or a 3.3 V supply, and the bus side uses an isolated 3.3 V supply.

The [EVAL-ADM2484EEBZ](#) incorporates extra jumpers to switch in or out added termination resistors on the bus side of the transceiver and can switch between full and half-duplex configurations.

EVALUATION BOARD DIGITAL PHOTOGRAPH

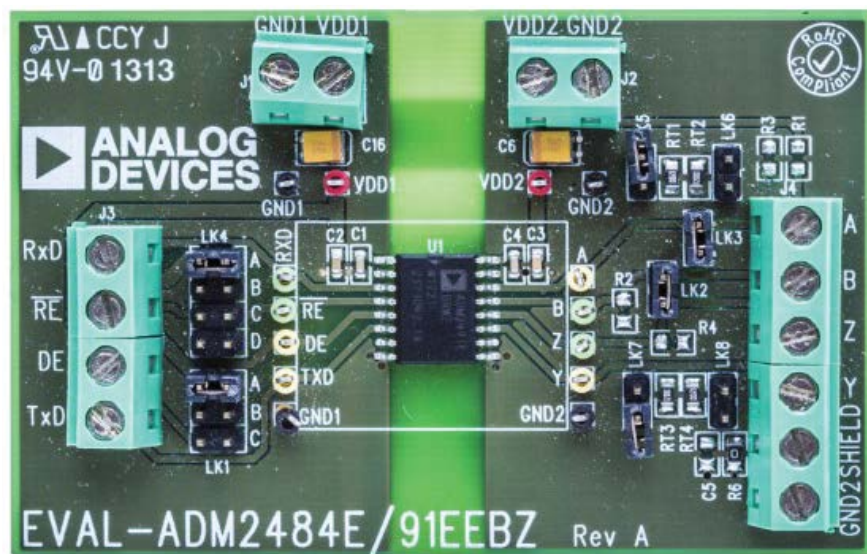


Figure 1. [EVAL-ADM2484EEBZ](#) Photo

TABLE OF CONTENTS

Features	1	Setting Up the Evaluation Board.....	3
Applications.....	1	Half-Duplex/Full Duplex configuration	3
Evaluation Kit Contents.....	1	Evaluation Board Schematic and Artwork.....	4
General Description	1	Ordering Information.....	7
Evaluation Board Digital Photograph.....	1	Bill of Materials.....	7
Revision History	2	Related Links.....	7
Evaluation Board Configurations.....	3		

REVISION HISTORY

9/2016—Rev. 0 to Rev. A

Changes to General Description Section and Figure 1	1
Changes to Setting up the Evaluation Board Section, Half-Duplex/Full Duplex Configuration Section, and Table 1.....	3
Added Table 2; Renumbered Sequentially	3
Changes to Figure 2.....	4
Changes to Figure 3 and Figure 4.....	5
Changes to Figure 5.....	6
Changes to Table 3.....	7

8/2011—Revision 0: Initial Version

EVALUATION BOARD CONFIGURATIONS

SETTING UP THE EVALUATION BOARD

The [EVAL-ADM2484EEBZ](#) allows the isolated [ADM2484E](#) RS-485 transceiver to be easily and quickly evaluated. The evaluation board allows all input and output functions to be exercised without the need for external components.

Termination resistors (RT1, RT2, RT3, and RT4) are fitted on the receiver inputs; these resistors can be jumpered in or out using Jumpers LK5, LK6, LK7, and LK8 if deemed necessary. RT1 and RT2 are fitted between the A and B receiver input lines, whereas RT3 and RT4 are fitted between the Z and Y receiver input lines.

The value of the termination resistors must be equal to the characteristic impedance of the cable used; 120 Ω is the standard termination resistor value used for all termination resistors. Therefore, depending on the jumper configuration, receiver input/output lines can be terminated by 0 Ω (no termination), 120 Ω (RT1 or RT2 in place), or 60 Ω (RT1 and RT2, or RT3 and RT4). 0 Ω is usually used when the board is connected to a bus that is already terminated at both ends.

The logic side is suitable for 5 V or 3.3 V operation on the VDD1 test point. A 100 nF decoupling capacitor, C2, and a 10 nF decoupling capacitor, C1, are fitted between the VDD1 and GND1 test points. The [EVAL-ADM2484EEBZ](#) board also has C6, a 10 μF decoupling capacitor, for the input supply. The bus side is suitable for 3.3 V operation on the VDD2 test point. A 100 nF decoupling capacitor, C3, and a 10 nF decoupling capacitor, C4, are fitted between the VDD2 and GND2 test points. The board also includes C16, a 10 μF decoupling capacitor for the input supply (see Figure 2).

Refer to the [AN-960 Application Note, RS-485/RS-422 Circuit Implementation Guide](#), for an explanation of bus termination and fail-safe biasing.

HALF-DUPLEX/FULL DUPLEX CONFIGURATION

To set up the [EVAL-ADM2484EEBZ](#) for a full duplex configuration, Jumpers LK2 and LK3 must be removed. For a half-duplex configuration, these jumpers must be included. LK2 ties B to Z, and LK3 ties A to Y.

Table 1. Board Configurations and Jumper Settings

Configuration	Jumpers Fitted	Jumpers Open
Half-Duplex Configuration	LK3 and LK2	Not applicable
Full Duplex Configuration	Not applicable	LK3 and LK2
\overline{RE} High	LK4 (Position A)	LK4 (Position B, Position C, and Position D)
\overline{RE} Low	LK4 (Position B)	LK4 (Position A, Position C, and Position D)
Using the Screw Terminal for \overline{RE}	LK4 (Position C)	LK4 (Position A, Position B, and Position D)
DE High	LK1 and LK4 (Position A)	LK4 (Position B and Position C)
DE Low	LK1 and LK4 (Position B)	LK4 (Position A and Position C)
Using the Screw Terminal for DE High/Low	LK1 and LK4 (Position C)	LK4 (Position A, Position B, and Position D)

Table 2. Termination Resistor Jumper Settings

Configuration	Jumpers Fitted	Jumpers Open
Receiver Line Inputs (A and B), 0 Ω Termination	Not applicable	LK5 and LK6
Receiver Line Inputs (A and B), 60 Ω Termination	LK5 and LK6	Not applicable
Receiver Line Inputs (A and B), 120 Ω Termination	LK5 or LK6	LK6 or LK5
Receiver Line Outputs (Z and Y), 0 Ω Termination	Not applicable	LK7 and LK8
Receiver Line Outputs (Z and Y), 60 Ω Termination	LK7 and LK8	Not applicable
Receiver Line Outputs (Z and Y), 120 Ω Termination	LK7 or LK8	LK7 or LK8

EVALUATION BOARD SCHEMATIC AND ARTWORK

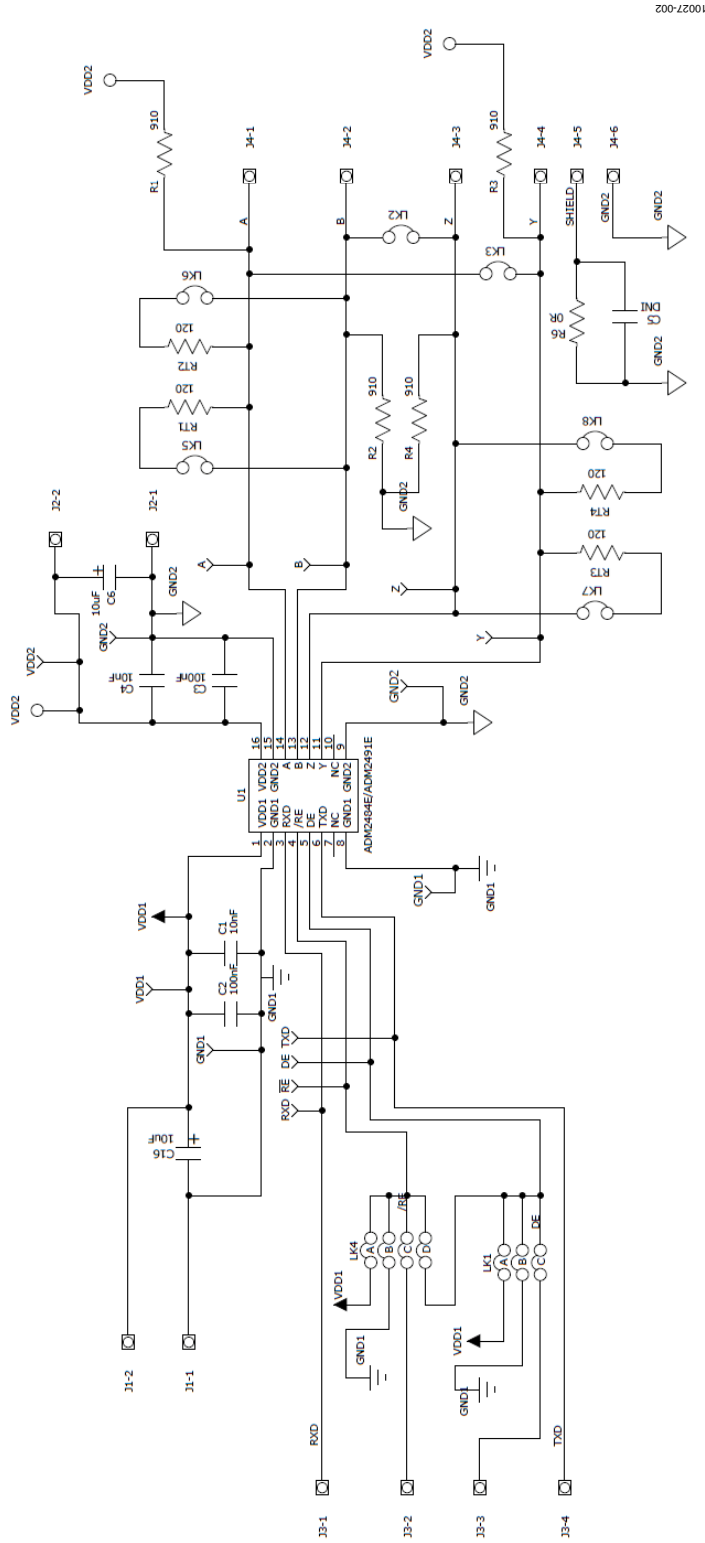


Figure 2. EVAL-ADM2484EEBZ Schematic

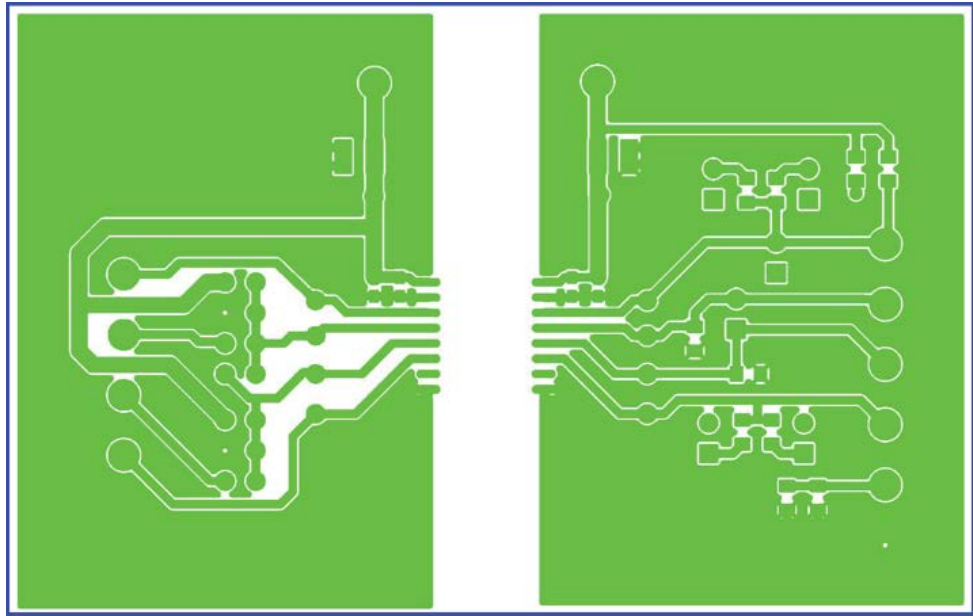


Figure 3. EVAL-ADM2484EEBZ Solder Side

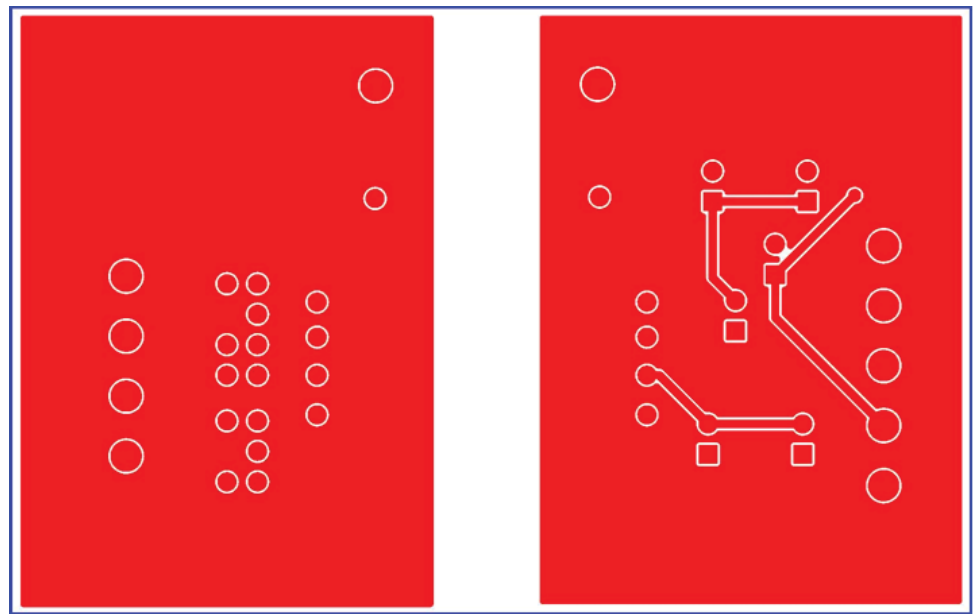


Figure 4. EVAL-ADM2484EEBZ Components

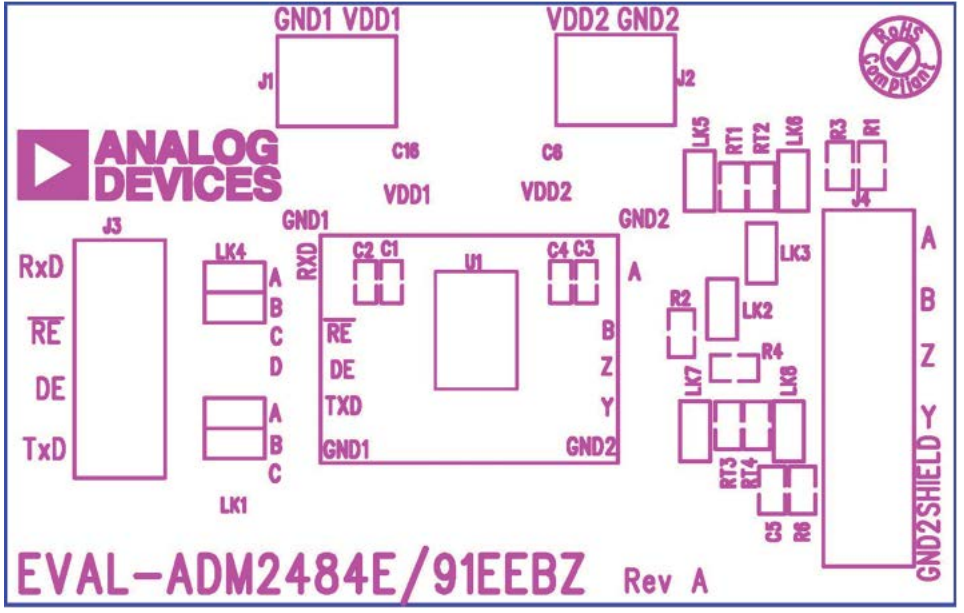


Figure 5. EVAL-ADM2484EEBZ Silkscreen

ORDERING INFORMATION

BILL OF MATERIALS

Table 3.

Quantity	Reference Designator	Description	Supplier/Part Number
1	A	Yellow test point	Vero/20-313140
1	B	Green test point	Vero/20-313138
2	C1, C4	Multilayer ceramic capacitor, 0603	Multicomp/MCCA000147
2	C2, C3	Multilayer ceramic capacitor, 0603	Multicomp/MCCA000255
1	C5	Capacitor (do not insert)	Not applicable
2	C6, C16	16 V polarized capacitor	KEMET/B45196H3106K209
1	DE	Yellow test point	Vero/20-313140
4	GND1, GND2, GND3, GND4	Black test point	Vero/20-2137
2	J1, J2	Terminal block, 2-way	Lumberg/KRM02
1	J3	Terminal block, 4-way	Lumberg/KRM04
1	J4	Terminal block, 6-way	Lumberg/KRM06
1	LK1	6-pin (3 × 2), 0.1 in. header and shorting block	Harwin/M20-9983646
6	LK2, LK3, LK5, LK6, LK7, LK8	Jumper block, 2-pin, 0.1 in. spacing	Harwin/M20-9990246
1	LK4	8-pin (4 × 2), 0.1 in. header and shorting block	Harwin/M20-9983646
4	R1, R2, R3, R4	Resistor, 0805 (do not insert for ADM2491E)	Multicomp/MC 0.1W 0805 1% 910R
1	R6	Thick film resistor, 0805	Vishay Draloric/CRCW08050000Z0EA
1	RE	Green test point	Vero/20-313138
4	RT1, RT2, RT3, RT4	Thick film resistor, 0805	Multicomp/MC 0.1W 0805 1% 120R
1	RXD	Green test point	Vero/20-313138
1	TXD	Yellow test point	Vero/20-313140
1	U1	ADM2484E/ADM2491E	Analog Devices/ ADM2484EBRWZ , ADM2491EBRWZ
2	VDD1, VDD2	Red test point	Vero/20-313137
1	Y	Yellow test point	Vero/20-313140
1	Z	Green test point	Vero/20-313138

RELATED LINKS

Resource	Description
ADM2484E	5 kV Signal Isolated, ESD Protected, 500 kbps, Full/Half Duplex RS-485 Transceiver
AN-960	RS-485/RS-422 Circuit Implementation Guide

NOTES

**ESD Caution**

ESD (electrostatic discharge) sensitive device. Charged devices and circuit boards can discharge without detection. Although this product features patented or proprietary protection circuitry, damage may occur on devices subjected to high energy ESD. Therefore, proper ESD precautions should be taken to avoid performance degradation or loss of functionality.

Legal Terms and Conditions

By using the evaluation board discussed herein (together with any tools, components documentation or support materials, the "Evaluation Board"), you are agreeing to be bound by the terms and conditions set forth below ("Agreement") unless you have purchased the Evaluation Board, in which case the Analog Devices Standard Terms and Conditions of Sale shall govern. Do not use the Evaluation Board until you have read and agreed to the Agreement. Your use of the Evaluation Board shall signify your acceptance of the Agreement. This Agreement is made by and between you ("Customer") and Analog Devices, Inc. ("ADI"), with its principal place of business at One Technology Way, Norwood, MA 02062, USA. Subject to the terms and conditions of the Agreement, ADI hereby grants to Customer a free, limited, personal, temporary, non-exclusive, non-sublicensable, non-transferable license to use the Evaluation Board FOR EVALUATION PURPOSES ONLY. Customer understands and agrees that the Evaluation Board is provided for the sole and exclusive purpose referenced above, and agrees not to use the Evaluation Board for any other purpose. Furthermore, the license granted is expressly made subject to the following additional limitations: Customer shall not (i) rent, lease, display, sell, transfer, assign, sublicense, or distribute the Evaluation Board; and (ii) permit any Third Party to access the Evaluation Board. As used herein, the term "Third Party" includes any entity other than ADI, Customer, their employees, affiliates and in-house consultants. The Evaluation Board is NOT sold to Customer; all rights not expressly granted herein, including ownership of the Evaluation Board, are reserved by ADI. CONFIDENTIALITY. This Agreement and the Evaluation Board shall all be considered the confidential and proprietary information of ADI. Customer may not disclose or transfer any portion of the Evaluation Board to any other party for any reason. Upon discontinuation of use of the Evaluation Board or termination of this Agreement, Customer agrees to promptly return the Evaluation Board to ADI. ADDITIONAL RESTRICTIONS. Customer may not disassemble, decompile or reverse engineer chips on the Evaluation Board. Customer shall inform ADI of any occurred damages or any modifications or alterations it makes to the Evaluation Board, including but not limited to soldering or any other activity that affects the material content of the Evaluation Board. Modifications to the Evaluation Board must comply with applicable law, including but not limited to the RoHS Directive. TERMINATION. ADI may terminate this Agreement at any time upon giving written notice to Customer. Customer agrees to return to ADI the Evaluation Board at that time. LIMITATION OF LIABILITY. THE EVALUATION BOARD PROVIDED HEREUNDER IS PROVIDED "AS IS" AND ADI MAKES NO WARRANTIES OR REPRESENTATIONS OF ANY KIND WITH RESPECT TO IT. ADI SPECIFICALLY DISCLAIMS ANY REPRESENTATIONS, ENDORSEMENTS, GUARANTEES, OR WARRANTIES, EXPRESS OR IMPLIED, RELATED TO THE EVALUATION BOARD INCLUDING, BUT NOT LIMITED TO, THE IMPLIED WARRANTY OF MERCHANTABILITY, TITLE, FITNESS FOR A PARTICULAR PURPOSE OR NON-INFRINGEMENT OF INTELLECTUAL PROPERTY RIGHTS. IN NO EVENT WILL ADI AND ITS LICENSORS BE LIABLE FOR ANY INCIDENTAL, SPECIAL, INDIRECT, OR CONSEQUENTIAL DAMAGES RESULTING FROM CUSTOMER'S POSSESSION OR USE OF THE EVALUATION BOARD, INCLUDING BUT NOT LIMITED TO LOST PROFITS, DELAY COSTS, LABOR COSTS OR LOSS OF GOODWILL. ADI'S TOTAL LIABILITY FROM ANY AND ALL CAUSES SHALL BE LIMITED TO THE AMOUNT OF ONE HUNDRED US DOLLARS (\$100.00). EXPORT. Customer agrees that it will not directly or indirectly export the Evaluation Board to another country, and that it will comply with all applicable United States federal laws and regulations relating to exports. GOVERNING LAW. This Agreement shall be governed by and construed in accordance with the substantive laws of the Commonwealth of Massachusetts (excluding conflict of law rules). Any legal action regarding this Agreement will be heard in the state or federal courts having jurisdiction in Suffolk County, Massachusetts, and Customer hereby submits to the personal jurisdiction and venue of such courts. The United Nations Convention on Contracts for the International Sale of Goods shall not apply to this Agreement and is expressly disclaimed.