

## LT8333

# Low I<sub>Q</sub> Boost/SEPIC/Inverting Converter with 3A, 40V Switch

## DESCRIPTION

Evaluation circuit EVAL-LT8333-AZ features the **LT®8333** in a SEPIC configuration. It operates with a switching frequency of 2MHz and is designed to convert a 3V to 26V source to 12V output. The converter can output up to 1.25A depending on the input voltage (see Figure 3 maximum output current vs V<sub>IN</sub> curve).

This evaluation circuit features Spread Spectrum Frequency Modulation (SSFM) and EMI filters to provide optimum EMI performance. This PCB layout is optimized for good EMI performance and small solution size. The evaluation board contains a selectable jumper, JP1, to aid in the selection of the desired SYNC pin mode of operation. At light load, either pulse-skipping (PULSE SKIP) or low-ripple Burst Mode® operation (BURST) can be selected to improve the efficiency.

The LT8333 boost/SEPIC/inverting converter IC operates over an input range of 2.8V to 40V, suitable for

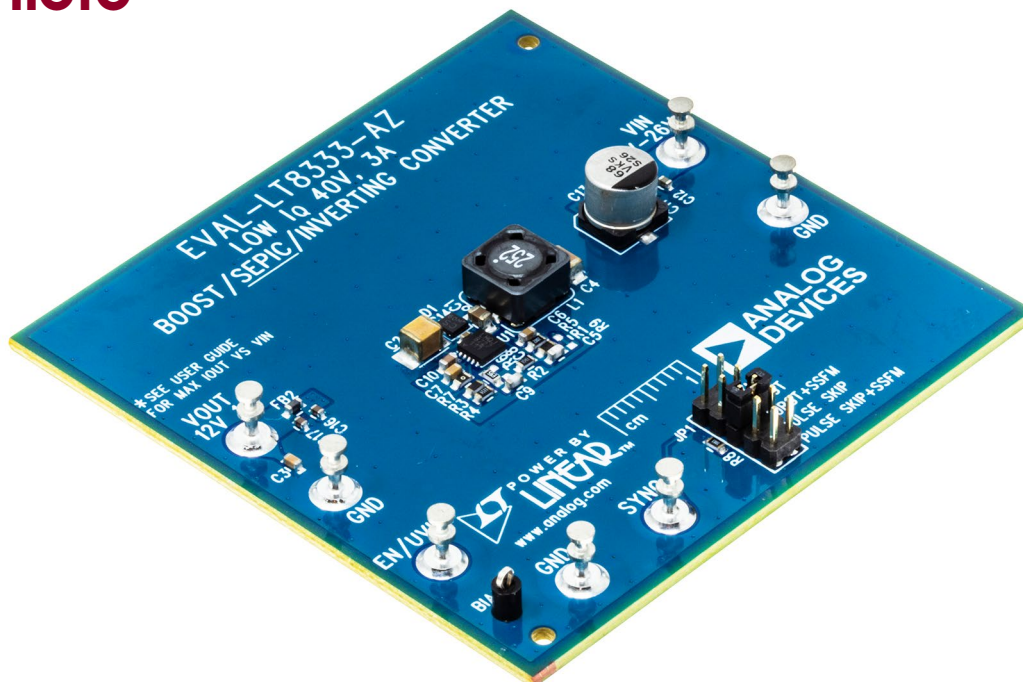
automotive, telecom, and industrial applications. The converter provides adjustable and synchronizable operation from 300kHz to 2MHz with SSFM option. The LT8333 packs other popular features such as soft-start, bias pin, input undervoltage lockout. The IC can exhibit a low quiescent current down to 9µA in BURST mode and 1µA in shutdown, which makes it ideal for battery-operated systems. The LT8333 is assembled in a thermally enhanced 10-lead 3mm × 3mm DFN package.

The data sheet gives a complete description of the device, operation, and application information. The data sheet must be read in conjunction with this demo manual for EVAL-LT8333-AZ.

**Design files for this circuit board are available.**

All registered trademarks and trademarks are the property of their respective owners.

## BOARD PHOTO



# DEMO MANUAL

## EVAL-LT8333-AZ

### PERFORMANCE SUMMARY Specifications are at $T_A = 25^\circ\text{C}$

PARAMETER	CONDITIONS	MIN	TYP	MAX	UNIT
Input Voltage ( $V_{IN}$ )	$V_{OUT} = 12\text{V}$	3		26	V
Output Voltage ( $V_{OUT}$ )	$R1 = 1\text{M}\Omega, R2 = 154\text{k}\Omega$		12		V
Output Voltage Ripple ( $\Delta V_{OUT}$ )	$V_{IN} = 12\text{V}, V_{OUT} = 12\text{V}, I_{OUT} = 1.1\text{A}$ (Measured at C2)		40		mV
Maximum Output Current ( $I_{OUT}$ )	$V_{OUT} = 12\text{V}, V_{IN} = 9\text{V}$		1		A
	$V_{OUT} = 12\text{V}, V_{IN} = 12\text{V}$		1.1		A
	$V_{OUT} = 12\text{V}, V_{IN} = 16\text{V to } 26\text{V}$		1.25		A
Switching Frequency ( $f_{SW}$ )	$R5 = 20.0\text{k}\Omega, \text{SSFM OFF}$		2		MHz
	$R5 = 20.0\text{k}\Omega, \text{SSFM ON}$	2		2.4	MHz
Input EN Voltage (Rising)	$R3 = 1\text{M}\Omega, R4 = 1.15\text{M}\Omega$		3.2		V
Input UVLO Voltage (Falling)	$R3 = 1\text{M}\Omega, R4 = 1.15\text{M}\Omega$		3.0		V
Typical Efficiency (with EMI Filters)	$V_{IN} = 9\text{V}, V_{OUT} = 12\text{V}, I_{OUT} = 1\text{A}$		86		%
	$V_{IN} = 12\text{V}, V_{OUT} = 12\text{V}, I_{OUT} = 1.1\text{A}$		87		%
	$V_{IN} = 16\text{V}, V_{OUT} = 12\text{V}, I_{OUT} = 1.25\text{A}$		87		%
Zero Load Quiescent Current ( $V_{OUT} = 12\text{V}$ )* $R1 = 1\text{M}\Omega, R2 = 154\text{k}\Omega$ $R3 = 1\text{M}\Omega, R4 = 1.15\text{M}\Omega$	$V_{IN} = 9\text{V}, \text{JP1} = \text{BURST}$		37		$\mu\text{A}$
	$V_{IN} = 9\text{V}, \text{JP1} = \text{PULSE SKIP}$		1.2		mA
	$V_{IN} = 12\text{V}, \text{JP1} = \text{BURST}$		33		$\mu\text{A}$
	$V_{IN} = 12\text{V}, \text{JP1} = \text{PULSE SKIP}$		1.1		mA

\*Please see PULSE SKIP, BURST, SSFM, SYNC section on how to achieve lower quiescent current.

## QUICK START PROCEDURE

Evaluation circuit EVAL-LT8333-AZ is easy to set up to evaluate the performance of the LT8333. Refer to Figure 1 for proper measurement equipment setup and follow the procedure below.

NOTE: Make sure that the input voltage is always with the specification.

1. Connect EN/UVLO turret to GND.
2. With power off, connect the input power supply to  $V_{IN}$  and GND terminals of the board. Include voltage and current meters as shown in Figure 1 if desired.
3. Connect the load to the  $V_{OUT}$  and GND terminals.
4. Turn on the power at the input. Increase  $V_{IN}$  slowly to 12V.
5. Disconnect EN/UVLO turret from GND and the output turns on.

6. Check for the proper output voltage. The output should be regulated at 12V.

If there is no output, temporarily disconnect the load to make sure that the load is not set too high.

7. Once the proper output voltage is established, adjust the input voltage and load current within the operating range and observe the output voltage regulation, ripple voltage, efficiency, and other parameters.

NOTE: When measuring the input or output voltage ripple, care must be taken to avoid a long ground lead on the oscilloscope probe. Measure the input or output voltage ripple by touching the probe tip directly across the input and output capacitors.

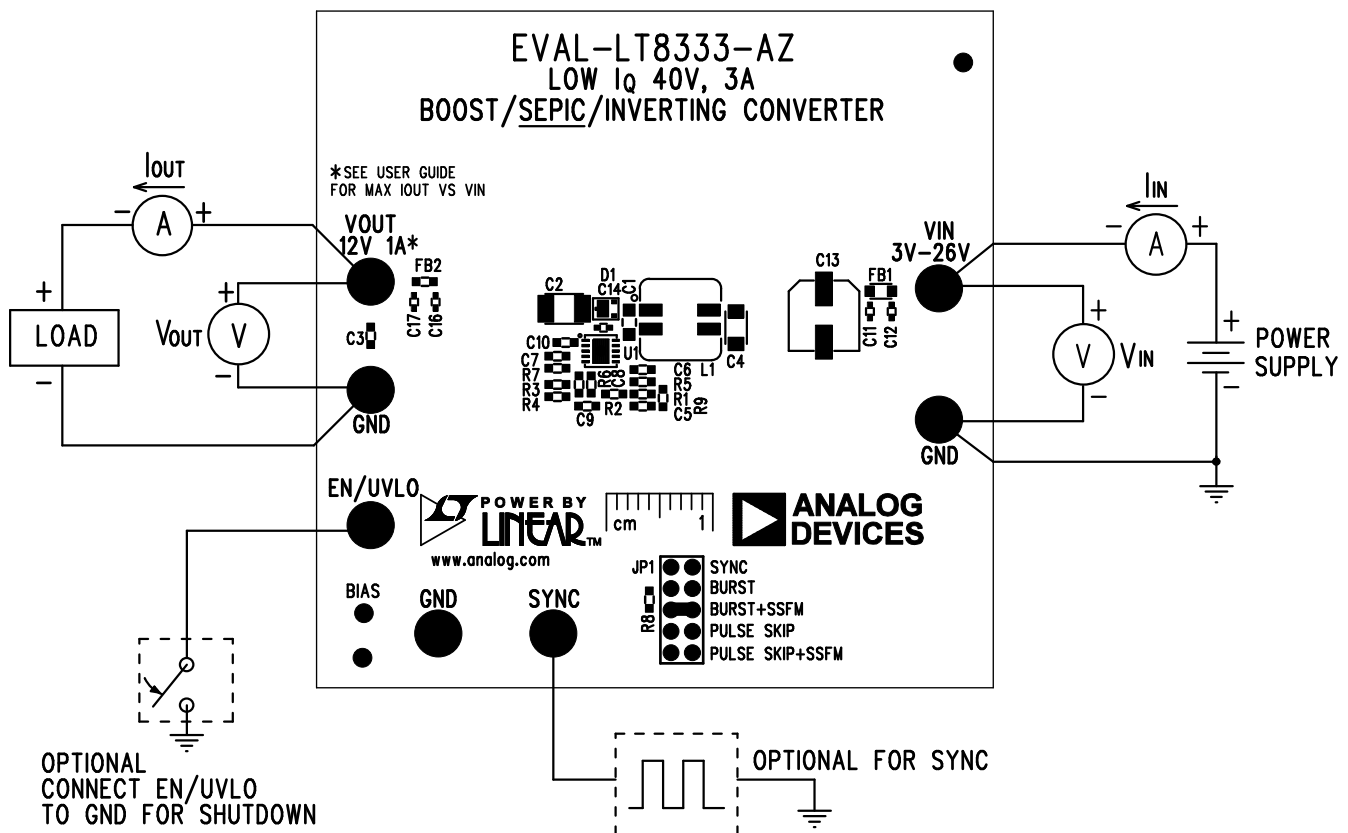


Figure 1. Proper Equipment Setup for EVAL-LT8333-AZ

### QUICK START PROCEDURE

#### OUTPUT VOLTAGE AND POWER

The LT8333 is a low  $I_Q$  non-synchronous DC/DC converter that can be configured in boost, SEPIC, or inverting converters. Although EVAL-LT8333-AZ is designed to regulate 12V output from a 3V to 26V source, the feedback resistors R1 and R2 can be easily adjusted for higher or lower output voltage. In addition to adjusting feedback resistors, the input and output capacitors should be sized appropriately. The catch diode, D1, must also be able to handle the switch voltage.

The 3A peak switch current limit and EMI filters allow a maximum 1.25A output current at 16V<sub>IN</sub> or higher. Figure 3 shows the maximum output current versus V<sub>IN</sub>.

#### PULSE SKIP, BURST, SSFM, SYNC

The LT8333 achieves low power consumption at light loads. The different SYNC/MODE pin states can be evaluated by changing the position of jumper JP1. It is easy to change from BURST to PULSE SKIP and to explore SSFM ON, SSFM OFF, and external SYNC with this jumper.

PULSE SKIP allows low quiescent current at light load consumption without changing switching frequency until a very light load. BURST allows the lowest light load power consumption and has a unique low ripple feature on the LT8333. These two features can be explored further in the data sheet of the LT8333. The feedback resistors, R1 and R2, can be replaced with higher resistance values for better no-load input current results. For even lower no-load input current, the EN/UVLO pin should be shorted to V<sub>IN</sub> and the R4 resistor should be removed.

Spread Spectrum Frequency Modulation (SSFM) can be enabled to reduce the emissions of the converter. SSFM spreads the frequency between the R<sub>T</sub>-programmed frequency and +20% higher.

If an external SYNC signal is provided, the SYNC option of JP1 can be used to synchronize with an external clock. The clock frequency should be slightly higher than the R<sub>T</sub>-programmed frequency for best performance.

#### EN/UVLO

R3 and R4 set the undervoltage lockout falling and rising thresholds. The LT8333 data sheet gives a formula for calculating these values. EVAL-LT8333-AZ has a falling UVLO threshold of 3V and a rising threshold of 3.2V. This threshold can easily be adjusted by changing resistors R3 and R4 according to the data sheet equations.

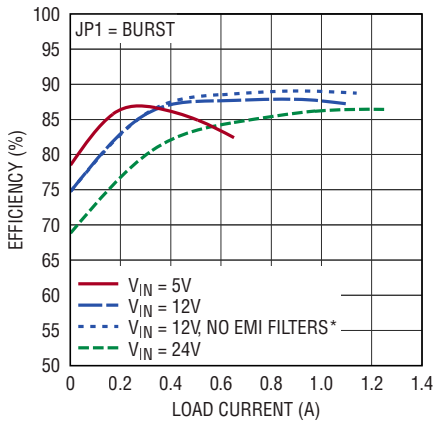
#### BIAS

In this evaluation circuit, the bias pin is unused and tied to GND through R7. However, the bias pin can be connected to an auxiliary input supply for powering INTV<sub>CC</sub> to improve efficiency when  $4.4V \leq \text{BIAS} \leq V_{IN}$ . To use the BIAS pin, R7 needs to be replaced by an 0603 sized ceramic capacitor with a value of at least 1 $\mu$ F, and BIAS terminal should be connected to an auxiliary source, which could be V<sub>OUT</sub>.

#### OUTPUT SHORT-CIRCUIT PROTECTION

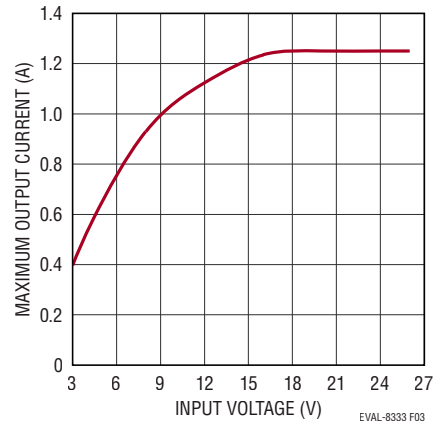
The LT8333 configured in a SEPIC configuration protects the circuitry when the output is shorted. Thus, the EVAL-LT8333-AZ prevents damage to circuitry during quick transient output short-circuits. However, the existing diode on the evaluation circuit is selected for optimizing efficiency and quiescent current, but not for protecting continuous short-circuits. If continuous output short-circuit protection is required, a diode with the current rating above the "Switch Overcurrent Threshold" stated in the data sheet is recommended.

### TEST RESULTS

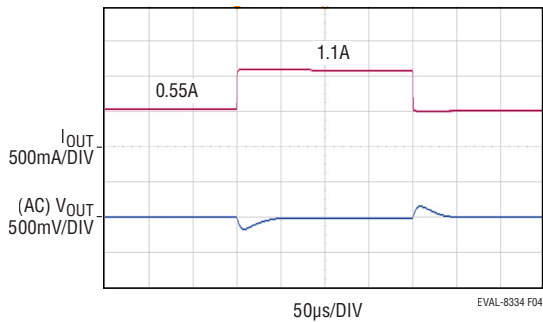


\*FB1 AND FB2 REPLACED WITH  $0\Omega$  RESISTORS

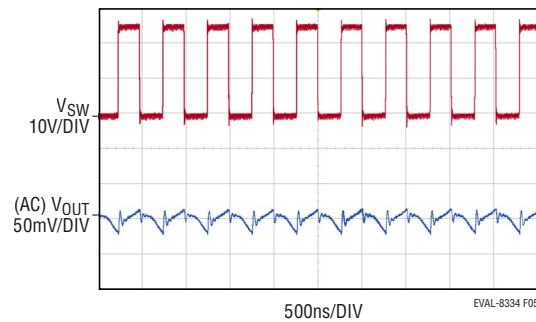
**Figure 2. EVAL-LT8333-AZ Efficiency with and without EMI Filters at  $V_{OUT} = 12V$**



**Figure 3. EVAL-LT8333-AZ Steady State Maximum Output Current vs Input Voltage**

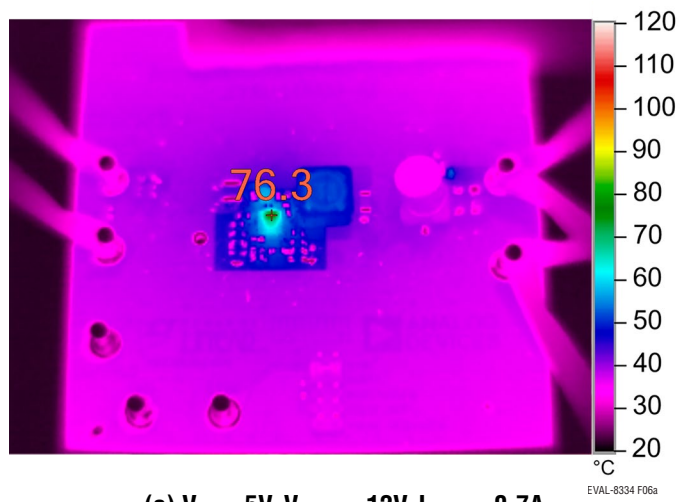


**Figure 4. EVAL-LT8333-AZ Output Voltage Transient Response at  $V_{IN} = 12V$ ,  $V_{OUT} = 12V$ ,  $I_{OUT} = 0.55A$  to 1.1A (JP1 = PULSE SKIP)**

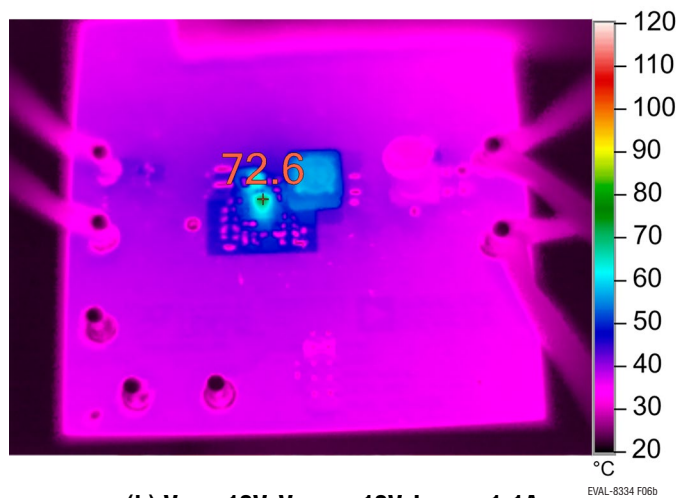


**Figure 5. EVAL-LT8333-AZ Output Voltage Ripple  $\Delta V_{OUT}$  Across C2 at  $V_{IN} = 12V$ ,  $V_{OUT} = 12V$ ,  $I_{OUT} = 1.1A$ ; EVAL-LT8333-AZ is Assembled with EMI Filters (SSFM is OFF)**

## TEST RESULTS



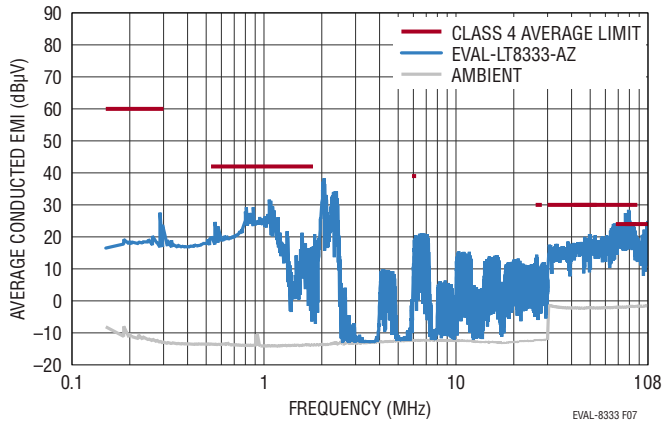
(a)  $V_{IN} = 5V$ ,  $V_{OUT} = 12V$ ,  $I_{OUT} = 0.7A$



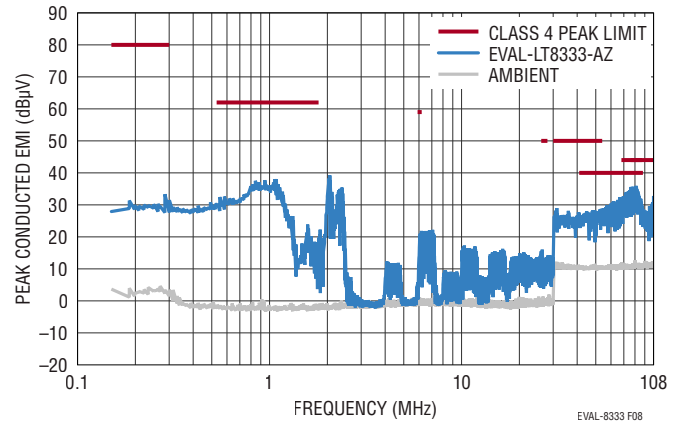
(b)  $V_{IN} = 12V$ ,  $V_{OUT} = 12V$ ,  $I_{OUT} = 1.1A$

Figure 6. EVAL-LT8333-AZ Thermals (JP1 = BURST)

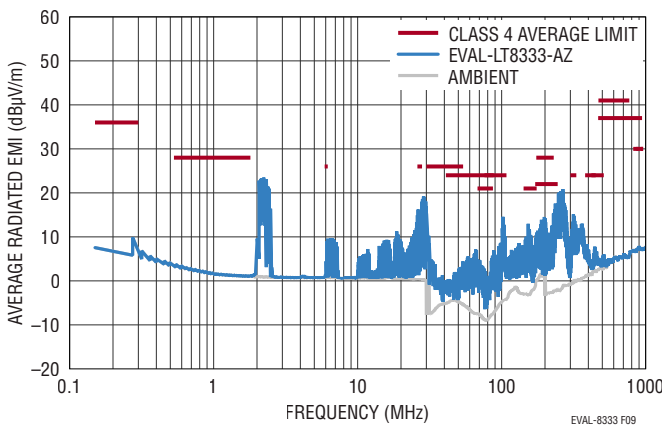
### TEST RESULTS



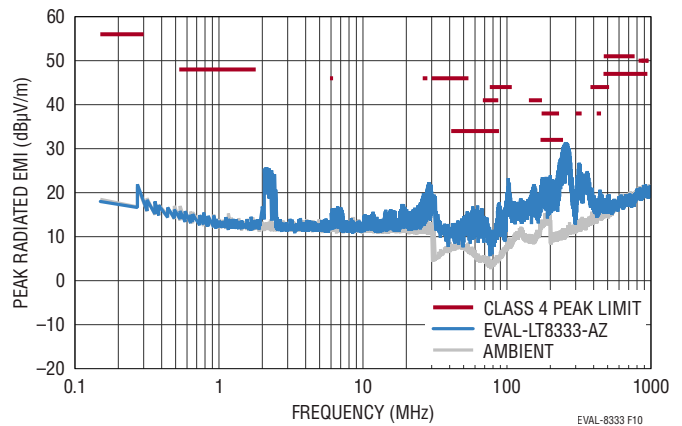
**Figure 7. EVAL-LT8333-AZ CISPR25 Voltage Conducted EMI Average Performance with 12V<sub>IN</sub> to 12V<sub>OUT</sub> at 1A, JP1 = BURST + SSFM**



**Figure 8. EVAL-LT8333-AZ CISPR25 Voltage Conducted EMI Peak Performance with 12V<sub>IN</sub> to 12V<sub>OUT</sub> at 1A, JP1 = BURST + SSFM**



**Figure 9. EVAL-LT8333-AZ CISPR25 Radiated EMI Average Performance with 12V<sub>IN</sub> to 12V<sub>OUT</sub> at 1A, JP1 = BURST + SSFM**



**Figure 10. EVAL-LT8333-AZ CISPR25 Radiated EMI Peak Performance with 12V<sub>IN</sub> to 12V<sub>OUT</sub> at 1A, JP1 = BURST + SSFM**

# DEMO MANUAL

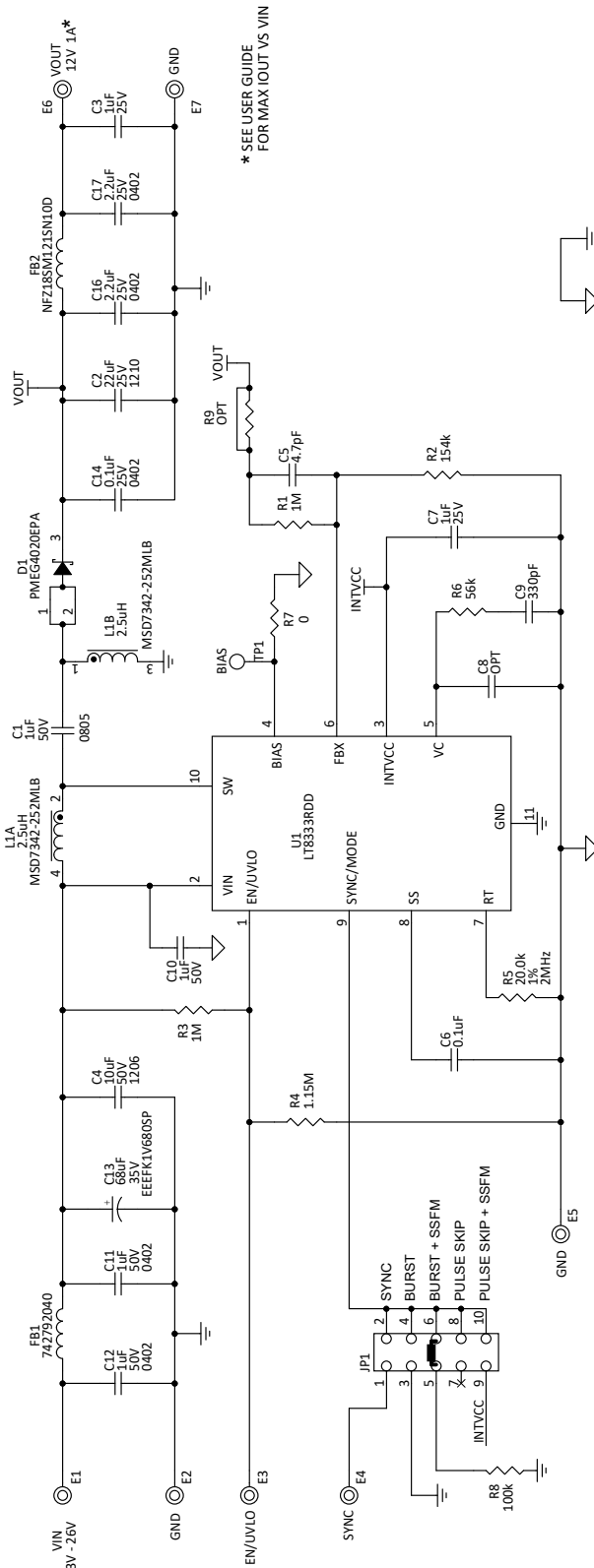
## EVAL-LT8333-AZ

### PARTS LIST

ITEM	QTY	REFERENCE	PART DESCRIPTION	MANUFACTURER/PART NUMBER
<b>Required Electrical Components</b>				
1	1	C1	CAP, 1 $\mu$ F, X7R, 50V, 10%, 0805, AEC-Q200	MURATA, GCM21BR71H105KA03L
2	1	C2	CAP, 22 $\mu$ F, X7R, 25V, 20%, 1210, AEC-Q200	TAIYO YUDEN, TMK325B7226MMHP
3	1	C4	CAP, 10 $\mu$ F, X5R, 50V, 10%, 1206, AEC-Q200	MURATA, GRT31CR61H106KE01L
4	1	C5	CAP, 4.7pF, C0G, 25V, $\pm$ 0.25pF, 0603, AEC-Q200	KEMET, C0603C479C3GACAUTO
5	1	C6	CAP, 0.1 $\mu$ F, X7R, 25V, 10%, 0603, AEC-Q200	SAMSUNG, CL10B104KA8WPNC
6	1	C7	CAP, 1 $\mu$ F, X7R, 25V, 10%, 0603, AEC-Q200	MURATA, GCM188R71E105KA64D
7	1	C9	CAP, 330pF, C0G, 50V, 10%, 0603, AEC-Q200	AVX, 06035A331K4T2A
8	1	C10	CAP, 1 $\mu$ F, X5R, 50V, 10%, 0603, AEC-Q200	TAIYO YUDEN, UMK107ABJ105KAHT
9	2	R1, R3	RES., 1M, 1%, 1/10W, 0603, AEC-Q200	VISHAY, CRCW06031M00FKEA
10	1	R2	RES., 154k, 1%, 1/10W, 0603, AEC-Q200	PANASONIC, ERJ3EKF1543V
11	1	R4	RES., 1.15M, 1%, 1/10W, 0603, AEC-Q200	VISHAY, CRCW06031M15FKEA
12	1	R5	RES., 20k, 1%, 1/10W, 0603, AEC-Q200	PANASONIC, ERJ3EKF2002V
13	1	R6	RES., 56k, 5%, 1/10W, 0603, AEC-Q200	VISHAY, CRCW060356K0JNEA
14	1	D1	DIODE, SCHOTTKY, 40V, 2A, SOT1061, AEC-Q101	NEXPERIA, PMEG4020EPA
15	1	L1	IND., 2.5 $\mu$ H, SHIELDED COUPLED INDUCTORS, 20%, 6.2A, 33m $\Omega$ , SMD, 7.5mm $\times$ 7.5mm	COILCRAFT, MSD7342-252MLB
16	1	U1	IC, BOOST/SEPIC/INVERTING CONVERTER, 3mm $\times$ 3mm, DFN	ANALOG DEVICES, LT8333RDD#PBF
<b>Optional Low EMI Components</b>				
1	1	FB1	IND., 600 $\Omega$ AT 100MHZ, FERRITE BEAD, 25%, 2A, 150m $\Omega$ , 0805	WURTH ELEKTRONIK, 742792040
2	1	FB2	IND., 120 $\Omega$ AT 100MHZ, FERRITE BEAD, 25%, 1.25A, 140m $\Omega$ , 0603	MURATA, NFZ18SM121SN10D
3	1	C3	CAP, 1 $\mu$ F, X7R, 25V, 10%, 0603, AEC-Q200	MURATA, GCM188R71E105KA64D
4	2	C11, C12	CAP, 1 $\mu$ F, X5R, 50V, 20%, 0402	TAIYO YUDEN, UMK105CBJ105MV-F
5	2	C16, C17	CAP, 2.2 $\mu$ F, X5R, 25V, 10%, 0402, AEC-Q200	MURATA, GRT155R61E225KE13D
6	1	C13	CAP, 68 $\mu$ F, ALUM, 35V, 20%, 6.3mm $\times$ 5.8mm, AEC-Q200	PANASONIC, EEEFK1V680SP
7	1	C14	CAP, 0.1 $\mu$ F, X7R, 25V, 10%, 0402, AEC-Q200	MURATA, GCM155R71E104KE02D
<b>Optional Electrical Components</b>				
1	0	C8	CAP, OPTION, 0603	
2	0	R9	RES., OPTION, 0603	
3	1	R8	RES., 100k, 1%, 1/10W, 0603, AEC-Q200	VISHAY, CRCW0603100KFKEA
4	1	R7	RES., 0 $\Omega$ , 1/10W, 0603, AEC-Q200	VISHAY, CRCW06030000Z0EA
<b>Hardware: For Evaluation Circuit Only</b>				
1	7	E1 - E7	TEST POINT, TURRET, 0.094" MTG. HOLE, PCB 0.062" THK	MILL-MAX, 2501-2-00-80-00-00-07-0
2	1	JP1	CONN., HDR, MALE, 2 $\times$ 5, 2mm, VERT, ST, THT	WURTH ELEKTRONIK, 62001021121
3	1	TP1	TEST POINT, 1-POS, 0.040" MTG. HOLE, 2.54mm DIA $\times$ 4.57mm L, THT, BLACK	KEYSTONE, 5001
4	1	XJP1	CONN., SHUNT, FEMALE, 2-POS, 2mm	WURTH ELEKTRONIK, 60800213421



## SCHEMATIC DIAGRAM



\* SEE USER GUIDE  
FOR MAX I/OUT VS VIN

**NOTES: UNLESS OTHERWISE SPECIFIED**  
1. ALL RESISTORS ARE 0603.  
ALL CAPACITORS ARE 0603.



### ESD Caution

**ESD (electrostatic discharge) sensitive device.** Charged devices and circuit boards can discharge without detection. Although this product features patented or proprietary protection circuitry, damage may occur on devices subjected to high energy ESD. Therefore, proper ESD precautions should be taken to avoid performance degradation or loss of functionality.

### Legal Terms and Conditions

By using the evaluation board discussed herein (together with any tools, components documentation or support materials, the "Evaluation Board"), you are agreeing to be bound by the terms and conditions set forth below ("Agreement") unless you have purchased the Evaluation Board, in which case the Analog Devices Standard Terms and Conditions of Sale shall govern. Do not use the Evaluation Board until you have read and agreed to the Agreement. Your use of the Evaluation Board shall signify your acceptance of the Agreement. This Agreement is made by and between you ("Customer") and Analog Devices, Inc. ("ADI"), with its principal place of business at One Technology Way, Norwood, MA 02062, USA. Subject to the terms and conditions of the Agreement, ADI hereby grants to Customer a free, limited, personal, temporary, non-exclusive, non-sublicensable, non-transferable license to use the Evaluation Board FOR EVALUATION PURPOSES ONLY. Customer understands and agrees that the Evaluation Board is provided for the sole and exclusive purpose referenced above, and agrees not to use the Evaluation Board for any other purpose. Furthermore, the license granted is expressly made subject to the following additional limitations: Customer shall not (i) rent, lease, display, sell, transfer, assign, sublicense, or distribute the Evaluation Board; and (ii) permit any Third Party to access the Evaluation Board. As used herein, the term "Third Party" includes any entity other than ADI, Customer, their employees, affiliates and in-house consultants. The Evaluation Board is NOT sold to Customer; all rights not expressly granted herein, including ownership of the Evaluation Board, are reserved by ADI. CONFIDENTIALITY. This Agreement and the Evaluation Board shall all be considered the confidential and proprietary information of ADI. Customer may not disclose or transfer any portion of the Evaluation Board to any other party for any reason. Upon discontinuation of use of the Evaluation Board or termination of this Agreement, Customer agrees to promptly return the Evaluation Board to ADI. ADDITIONAL RESTRICTIONS. Customer may not disassemble, decompile or reverse engineer chips on the Evaluation Board. Customer shall inform ADI of any occurred damages or any modifications or alterations it makes to the Evaluation Board, including but not limited to soldering or any other activity that affects the material content of the Evaluation Board. Modifications to the Evaluation Board must comply with applicable law, including but not limited to the RoHS Directive. TERMINATION. ADI may terminate this Agreement at any time upon giving written notice to Customer. Customer agrees to return to ADI the Evaluation Board at that time. LIMITATION OF LIABILITY. THE EVALUATION BOARD PROVIDED HEREUNDER IS PROVIDED "AS IS" AND ADI MAKES NO WARRANTIES OR REPRESENTATIONS OF ANY KIND WITH RESPECT TO IT. ADI SPECIFICALLY DISCLAIMS ANY REPRESENTATIONS, ENDORSEMENTS, GUARANTEES, OR WARRANTIES, EXPRESS OR IMPLIED, RELATED TO THE EVALUATION BOARD INCLUDING, BUT NOT LIMITED TO, THE IMPLIED WARRANTY OF MERCHANTABILITY, TITLE, FITNESS FOR A PARTICULAR PURPOSE OR NON-INFRINGEMENT OF INTELLECTUAL PROPERTY RIGHTS. IN NO EVENT WILL ADI AND ITS LICENSORS BE LIABLE FOR ANY INCIDENTAL, SPECIAL, INDIRECT, OR CONSEQUENTIAL DAMAGES RESULTING FROM CUSTOMER'S POSSESSION OR USE OF THE EVALUATION BOARD, INCLUDING BUT NOT LIMITED TO LOST PROFITS, DELAY COSTS, LABOR COSTS OR LOSS OF GOODWILL. ADI'S TOTAL LIABILITY FROM ANY AND ALL CAUSES SHALL BE LIMITED TO THE AMOUNT OF ONE HUNDRED US DOLLARS (\$100.00). EXPORT. Customer agrees that it will not directly or indirectly export the Evaluation Board to another country, and that it will comply with all applicable United States federal laws and regulations relating to exports. GOVERNING LAW. This Agreement shall be governed by and construed in accordance with the substantive laws of the Commonwealth of Massachusetts (excluding conflict of law rules). Any legal action regarding this Agreement will be heard in the state or federal courts having jurisdiction in Suffolk County, Massachusetts, and Customer hereby submits to the personal jurisdiction and venue of such courts. The United Nations Convention on Contracts for the International Sale of Goods shall not apply to this Agreement and is expressly disclaimed.