

## Evaluating the ADPA7009-2 20 GHz to 54 GHz, GaAs, pHEMT, MMIC, 29 dBm (0.5 W) Power Amplifier

### FEATURES

- ▶ 2-layer Rogers 4350B evaluation board with heat spreader
- ▶ End launch 1.85 mm RF connectors
- ▶ Through calibration path

### EVALUATION KIT CONTENTS

- ▶ 2-layer Rogers 4350B evaluation board with heat spreader

### EQUIPMENT NEEDED

- ▶ RF signal generator
- ▶ RF spectrum analyzer
- ▶ RF network analyzer
- ▶ 5 V, 1.5 A power supply
- ▶ -1.5 V, 10 mA power supply

### GENERAL DESCRIPTION

The ADPA7009-2-EVALZ consists of a 2-layer printed circuit board (PCB) fabricated from 10 mil thick Rogers 4350B copper clad mounted to an aluminum heat spreader. The heat spreader assists in providing thermal relief to the ADPA7009-2 as well as mechanical support to the PCB. Mounting holes on the heat spreader allow it to be attached to larger heat sinks for improved thermal management. The RFIN and RFOUT ports are populated with 1.85 mm female coaxial connectors, and their respective RF traces are of 50  $\Omega$  characteristic impedance. The ADPA7009-2-EVALZ is populated with components suitable for use over the entire operating temperature range of the ADPA7009.

RF traces are 50  $\Omega$  grounded coplanar waveguide. Package ground leads and the exposed pad connect directly to the ground plane. Multiple vias are used to connect the top and bottom ground planes, with particular focus on the area directly beneath the ground paddle to provide adequate electrical conduction and thermal conduction to the heat spreader.

The power supply decoupling capacitors shown in Figure 4 represent the configuration that was used to characterize and qualify the device. It is possible to reduce the number of capacitors; however, this reduction varies by system. It is instead recommended to first remove or combine the largest capacitors that are farthest from the device.

Consult the ADPA7009 data sheet in conjunction with this user guide when working with the ADPA7009-2-EVALZ board.

### ADPA7009-2-EVALZ EVALUATION BOARD PHOTOGRAPHS

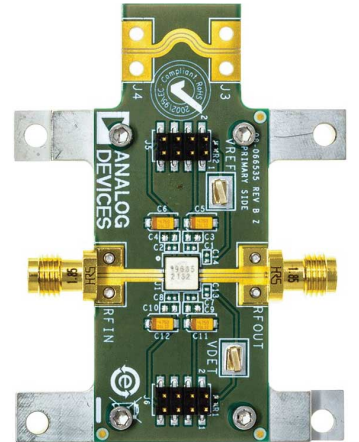


Figure 1. Primary Side

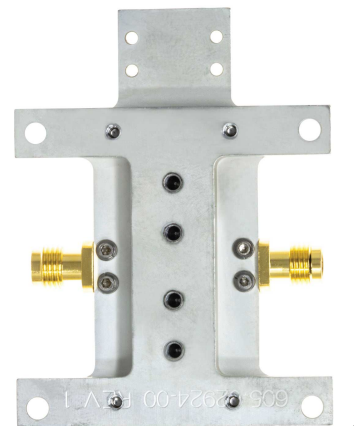


Figure 2. Secondary Side

**TABLE OF CONTENTS**

Features.....	1	Operating the ADPA7009-2-EVALZ.....	3
Evaluation Kit Contents.....	1	Through Calibration Path .....	3
Equipment Needed.....	1	Evaluation Board Schematic and Artwork.....	4
General Description.....	1	Ordering Information.....	5
ADPA7009-2-EVALZ Evaluation Board		Bill of Materials.....	5
Photographs.....	1		

**REVISION HISTORY**

**8/2022—Revision 0: Initial Version**

## OPERATING THE ADPA7009-2-EVALZ

The ADPA7009-2 operates by externally biasing the gate voltage. Adjust VGG1 within the -1.5 V to 0 V range through J5 or VGG2 within the -1.5 V to 0 V range through the J6 header to set the target drain current.

See the ADPA7009-2 data sheet for the bias sequencing information.

Ground and gate control voltages are accessed through two 8-pin headers (see Table 1 for the header pinout).

**Table 1. J5 and J6 Header Connections to the ADPA7009-2**

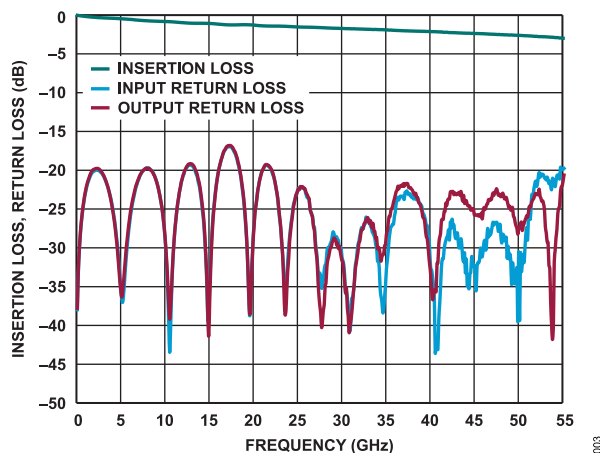
Header Pin No.	ADPA7009-2 Pin
<b>J5</b>	
8	VGG1
4	VDD1
2	VREF
3, 5, 6, and 7 <sup>1</sup>	GND <sup>1</sup>
<b>J6</b>	
7	VGG2
3	VDD2
1	VDET
4, 5, 6, and 8 <sup>1</sup>	GND <sup>1</sup>

<sup>1</sup> These header pins are connected to all GND pins, and the exposed pad of the ADPA7009-2 on the evaluation board.

## THROUGH CALIBRATION PATH

To calibrate out board trace losses, a through (thru) calibration path is provided between J3 and J4. J3 and J4 must be populated with RF connectors to use the through calibration path.

Figure 3 shows the plot of the data in Table 2 of the through calibration path (J3 to J4). See Figure 4 for the evaluation board schematic.



**Figure 3. Insertion Loss and Return Loss of Through Calibration Path**

**Table 2. Insertion Loss and Return Loss of Through Calibration Path**

Frequency (GHz)	Insertion Loss (dB)
0.1	-0.03
1	-0.18
5	-0.49
10	-0.83
15	-1.08
20	-1.30
25	-1.53
30	-1.73
35	-1.92
40	-2.16
45	-2.40
50	-2.63
55	-3.01

EVALUATION BOARD SCHEMATIC AND ARTWORK

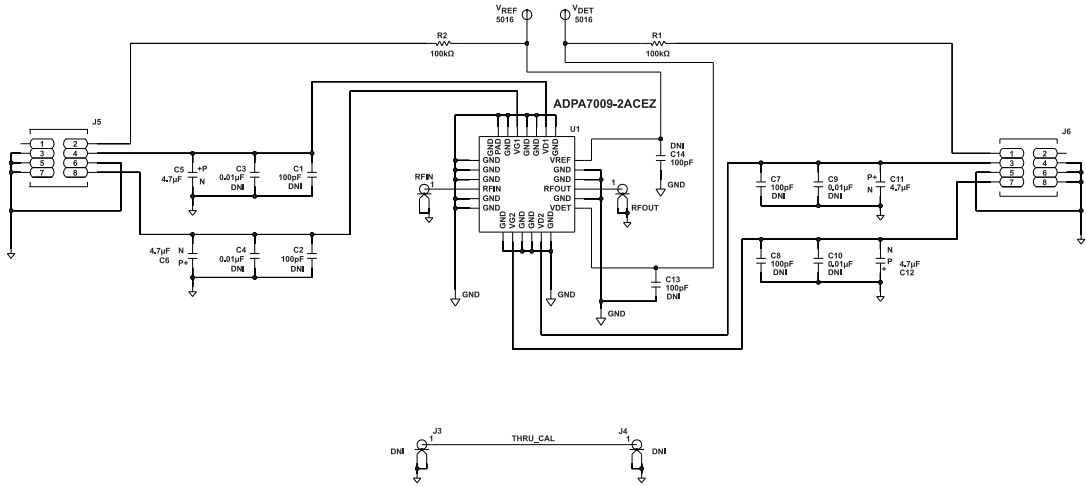


Figure 4. ADPA7009-2-EVALZ Evaluation Board Schematic

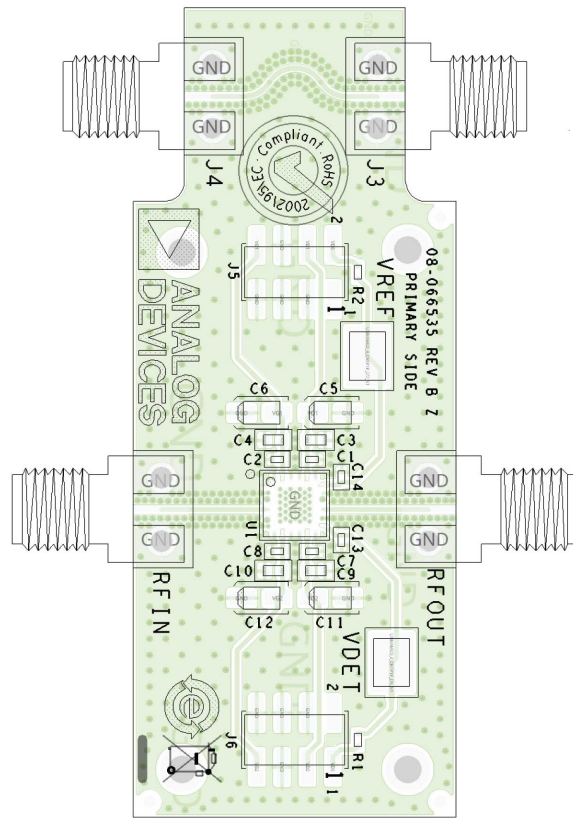


Figure 5. ADPA7009-2-EVALZ Assembly Drawing (Note That J3 and J4 Are Not Installed)

## ORDERING INFORMATION

## BILL OF MATERIALS

Table 3.

Reference Designator	Description	Manufacturer	Part Number
C1, C2, C7, C8, C13, C14 (do not install, DNI)	100 pF ceramic capacitors, 0402	Not applicable	Not applicable
C3, C4, C9, C10 (DNI)	0.01 $\mu$ F ceramic capacitors, 0603	Not applicable	Not applicable
C5, C6, C11, C12	Tantalum capacitors, 4.7 $\mu$ F, 20 V, 10%, 3216-18	AVX	TAJA475K020RNJ
J3, J4 (Not Installed)	CONN-PCB, 1.85 mm, coax, 50 $\Omega$ , 67 GHz	HIROSE ELECTRIC CO.	HV-LR-SR2(12)
RFIN, RFOUT	CONN-PCB, 1.85 mm coax, 50 $\Omega$ , 67 GHz	HIROSE ELECTRIC CO.	HV-LR-SR2(12)
J5, J6	Connectors, PCB header, vertical, dual row, 8-position, 2 mm pitch	Molex	87759-0814
R1, R2	100 k $\Omega$ resistors, SMD, 5%, 1/10 W, 0402	Panasonic	ERJ-2GEJ104X
U1	20 GHz to 54 GHz, gallium arsenide (GaAs), pseudomorphic high electron mobility transfer (pHEMT), monolithic microwave integrated circuit (MMIC), 29 dBm (0.5 W) power amplifier	Analog Devices, Inc.	<a href="#">ADPA7009-2ACEZ</a>
Not applicable	Aluminum heat spreader, 02.51 in. $\times$ 1.9 in.	Not applicable	Not applicable

**ESD Caution**

**ESD (electrostatic discharge) sensitive device.** Charged devices and circuit boards can discharge without detection. Although this product features patented or proprietary protection circuitry, damage may occur on devices subjected to high energy ESD. Therefore, proper ESD precautions should be taken to avoid performance degradation or loss of functionality.

**Legal Terms and Conditions**

By using the evaluation board discussed herein (together with any tools, components documentation or support materials, the "Evaluation Board"), you are agreeing to be bound by the terms and conditions set forth below ("Agreement") unless you have purchased the Evaluation Board, in which case the Analog Devices Standard Terms and Conditions of Sale shall govern. Do not use the Evaluation Board until you have read and agreed to the Agreement. Your use of the Evaluation Board shall signify your acceptance of the Agreement. This Agreement is made by and between you ("Customer") and Analog Devices, Inc. ("ADI"), with its principal place of business at Subject to the terms and conditions of the Agreement, ADI hereby grants to Customer a free, limited, personal, temporary, non-exclusive, non-sublicensable, non-transferable license to use the Evaluation Board FOR EVALUATION PURPOSES ONLY. Customer understands and agrees that the Evaluation Board is provided for the sole and exclusive purpose referenced above, and agrees not to use the Evaluation Board for any other purpose. Furthermore, the license granted is expressly made subject to the following additional limitations: Customer shall not (i) rent, lease, display, sell, transfer, assign, sublicense, or distribute the Evaluation Board; and (ii) permit any Third Party to access the Evaluation Board. As used herein, the term "Third Party" includes any entity other than ADI, Customer, their employees, affiliates and in-house consultants. The Evaluation Board is NOT sold to Customer; all rights not expressly granted herein, including ownership of the Evaluation Board, are reserved by ADI. CONFIDENTIALITY. This Agreement and the Evaluation Board shall all be considered the confidential and proprietary information of ADI. Customer may not disclose or transfer any portion of the Evaluation Board to any other party for any reason. Upon discontinuation of use of the Evaluation Board or termination of this Agreement, Customer agrees to promptly return the Evaluation Board to ADI. ADDITIONAL RESTRICTIONS. Customer may not disassemble, decompile or reverse engineer chips on the Evaluation Board. Customer shall inform ADI of any occurred damages or any modifications or alterations it makes to the Evaluation Board, including but not limited to soldering or any other activity that affects the material content of the Evaluation Board. Modifications to the Evaluation Board must comply with applicable law, including but not limited to the RoHS Directive. TERMINATION. ADI may terminate this Agreement at any time upon giving written notice to Customer. Customer agrees to return to ADI the Evaluation Board at that time. LIMITATION OF LIABILITY. THE EVALUATION BOARD PROVIDED HEREUNDER IS PROVIDED "AS IS" AND ADI MAKES NO WARRANTIES OR REPRESENTATIONS OF ANY KIND WITH RESPECT TO IT. ADI SPECIFICALLY DISCLAIMS ANY REPRESENTATIONS, ENDORSEMENTS, GUARANTEES, OR WARRANTIES, EXPRESS OR IMPLIED, RELATED TO THE EVALUATION BOARD INCLUDING, BUT NOT LIMITED TO, THE IMPLIED WARRANTY OF MERCHANTABILITY, TITLE, FITNESS FOR A PARTICULAR PURPOSE OR NON-INFRINGEMENT OF INTELLECTUAL PROPERTY RIGHTS. IN NO EVENT WILL ADI AND ITS LICENSORS BE LIABLE FOR ANY INCIDENTAL, SPECIAL, INDIRECT, OR CONSEQUENTIAL DAMAGES RESULTING FROM CUSTOMER'S POSSESSION OR USE OF THE EVALUATION BOARD, INCLUDING BUT NOT LIMITED TO LOST PROFITS, DELAY COSTS, LABOR COSTS OR LOSS OF GOODWILL. ADI'S TOTAL LIABILITY FROM ANY AND ALL CAUSES SHALL BE LIMITED TO THE AMOUNT OF ONE HUNDRED US DOLLARS (\$100.00). EXPORT. Customer agrees that it will not directly or indirectly export the Evaluation Board to another country, and that it will comply with all applicable United States federal laws and regulations relating to exports. GOVERNING LAW. This Agreement shall be governed by and construed in accordance with the substantive laws of the Commonwealth of Massachusetts (excluding conflict of law rules). Any legal action regarding this Agreement will be heard in the state or federal courts having jurisdiction in Suffolk County, Massachusetts, and Customer hereby submits to the personal jurisdiction and venue of such courts. The United Nations Convention on Contracts for the International Sale of Goods shall not apply to this Agreement and is expressly disclaimed.

