

Evaluating the ADG6412, 0.5 Ω On Resistance, ± 20 V, +36 V, Quad SPST Switch**FEATURES**

- ▶ Low R_{ON} 0.5 Ω
- ▶ High continuous current of up to 847 mA
- ▶ Flat R_{ON} across signal range, 0.003 Ω
- ▶ Improved balance between on resistance and on capacitance
- ▶ Low R_{ON} (0.5 Ω) and C_{ON} (33 pF)
- ▶ 1.8 V Logic compatibility
- ▶ 16-lead, 4 mm x 4 mm LFCSP
- ▶ Pin to pin compatible with the [ADG5412](#) and [ADG5412F](#)
- ▶ Fully specified at ± 20 V and +36 V
- ▶ Operational with asymmetric power supplies
- ▶ V_{SS} to $V_{DD} - 2$ V analog signal range

EVALUATION KIT CONTENTS

- ▶ EVAL-ADG6412EBZ evaluation board

DOCUMENTS NEEDED

- ▶ [ADG6412](#) data sheet

EQUIPMENT NEEDED

- ▶ DC voltage source
 - ▶ ± 22 V for dual-supply
 - ▶ 39.6 V for single-supply
- ▶ Optional digital logic-supply
- ▶ Analog signal source
- ▶ Method to measure voltage, such as a digital multimeter (DMM) or oscilloscope

GENERAL DESCRIPTION

The EVAL-ADG6412EBZ is the evaluation board for the ADG6412. The ADG6412 contains four independent single-pole/single-throw (SPST) switches. The ADG6412 switches turn on with Logic 1. Each switch conducts equally well in both directions when on, and each switch has an input signal range that extends from V_{SS} to $V_{DD} - 2$ V. When the switches are open, signal levels up to the supplies are blocked. The ADG6412 does not have a V_L pin. The digital inputs are compatible with 1.8 V logic inputs over the full-operating supply range. The on-resistance profile is very flat over the full-analog input range, which ensures good linearity and low distortion when switching audio signals.

[Figure 1](#) shows the EVAL-ADG6412EBZ evaluation board. The ADG6412 is located in the center of the evaluation board and wire screw terminals are provided to connect to each of the source and drain pins. Three screw terminals power the device and a fourth terminal provides users with a defined digital logic-supply voltage, if required. Alternatively, the digital logic-supply voltage can be supplied from the [ADP7142](#) that is on the board.

Full specifications on the ADG6412 are available in the ADG6412 data sheet available from Analog Devices, Inc., and must be consulted with this user guide when using the EVAL-ADG6412EBZ evaluation board.

TABLE OF CONTENTS

Features.....	1	Power Supplies.....	4
Evaluation Kit Contents.....	1	Input Signals.....	4
Documents Needed.....	1	Link Options.....	4
Equipment Needed.....	1	Digital Interface Options.....	4
General Description.....	1	Evaluation Board Schematics and Artwork.....	5
EVAL-ADG6412EBZ Evaluation Board Layout.....	3	Ordering Information.....	8
Evaluation Board Hardware.....	4	Bill of Materials.....	8

REVISION HISTORY**8/2023—Rev. 0 to Rev. A**

Change to User Guide Title.....	1
---------------------------------	---

1/2023—Revision 0: Initial Version

EVAL-ADG6412EBZ EVALUATION BOARD LAYOUT

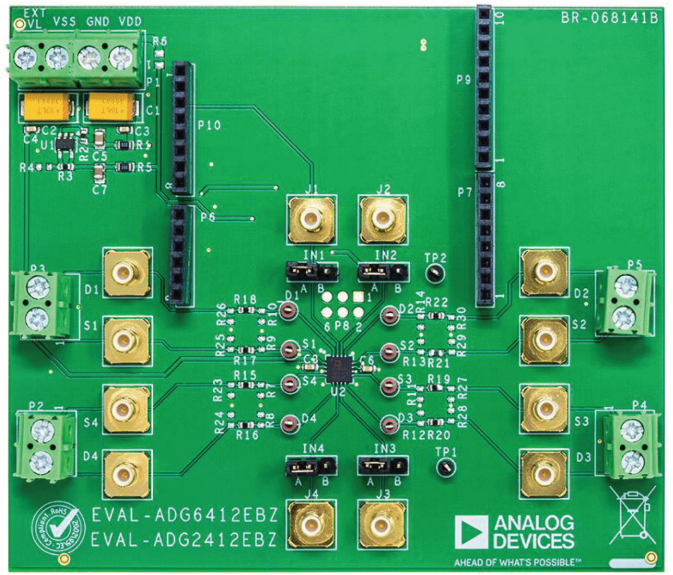


Figure 1. Evaluation Board Layout

EVALUATION BOARD HARDWARE

POWER SUPPLIES

Connector P1 provides access to the supply pins on the [ADG6412](#). V_{DD} , GND, and V_{SS} on P1 link to the appropriate pins on the ADG6412. For dual-supply voltages, the EVAL-ADG6412EBZ evaluation board can be powered from ± 18 V to ± 22 V. For single-supply voltages, the GND and V_{SS} terminals must be connected and V_{DD} between 18 V to 39.6 V. Additionally, 5 V from the [ADP7142](#) regulator can be supplied to INx logic pins of the ADG6412 via links IN1, IN2, IN3, and IN4. To use the 5 V from ADP7142 for the logic inputs, then use the default setting of R5 populated and R6 not inserted. If there is a wish to supply a custom logic voltage via the IN1, IN2, IN3, and IN4 headers, then EXT_VL on P1 can be supplied with a suitable logic voltage. To use EXT_VL on P1, do not insert R5 and populate R6.

INPUT SIGNALS

Screw connectors, P2, P3, P4, and P5 are provided to connect to both the source and drain pins of the ADG6412. Additional Subminiature Version B (SMB) connectors are available to connect cables to the source and drain pins.

Each trace on the source and drain side includes two sets of 0603 pads, which can place a load on the signal path to ground. A 0 Ω resistor is placed in the signal path and can be replaced with a user-defined value. The resistor combined with the 0603 pads can create a simple RC filter.

LINK OPTIONS

Several link options are provided on the EVAL-ADG6412EBZ evaluation board. The functions of these link options are described in [Table 1](#).

Table 1. Link Options

Link Number	Options	
IN1, IN2, IN3, IN4	A = switch closed	B = switch open

DIGITAL INTERFACE OPTIONS

The digital interface of the ADG6412 can either be controlled manually using the IN1, IN2, IN3, and IN4 link headers or accessed by using the J1, J2, J3, and J4 SMB connectors. To use the SMB connectors, remove the IN1, IN2, IN3, and IN4 link headers.

Connectors P6, P7, P9, and P10 can also be used with a controller board such as the SDP-K1 or Arduino. If a controller board is used to control the ADG6412, remove the IN1, IN2, IN3, and IN4 link headers.

EVALUATION BOARD SCHEMATICS AND ARTWORK

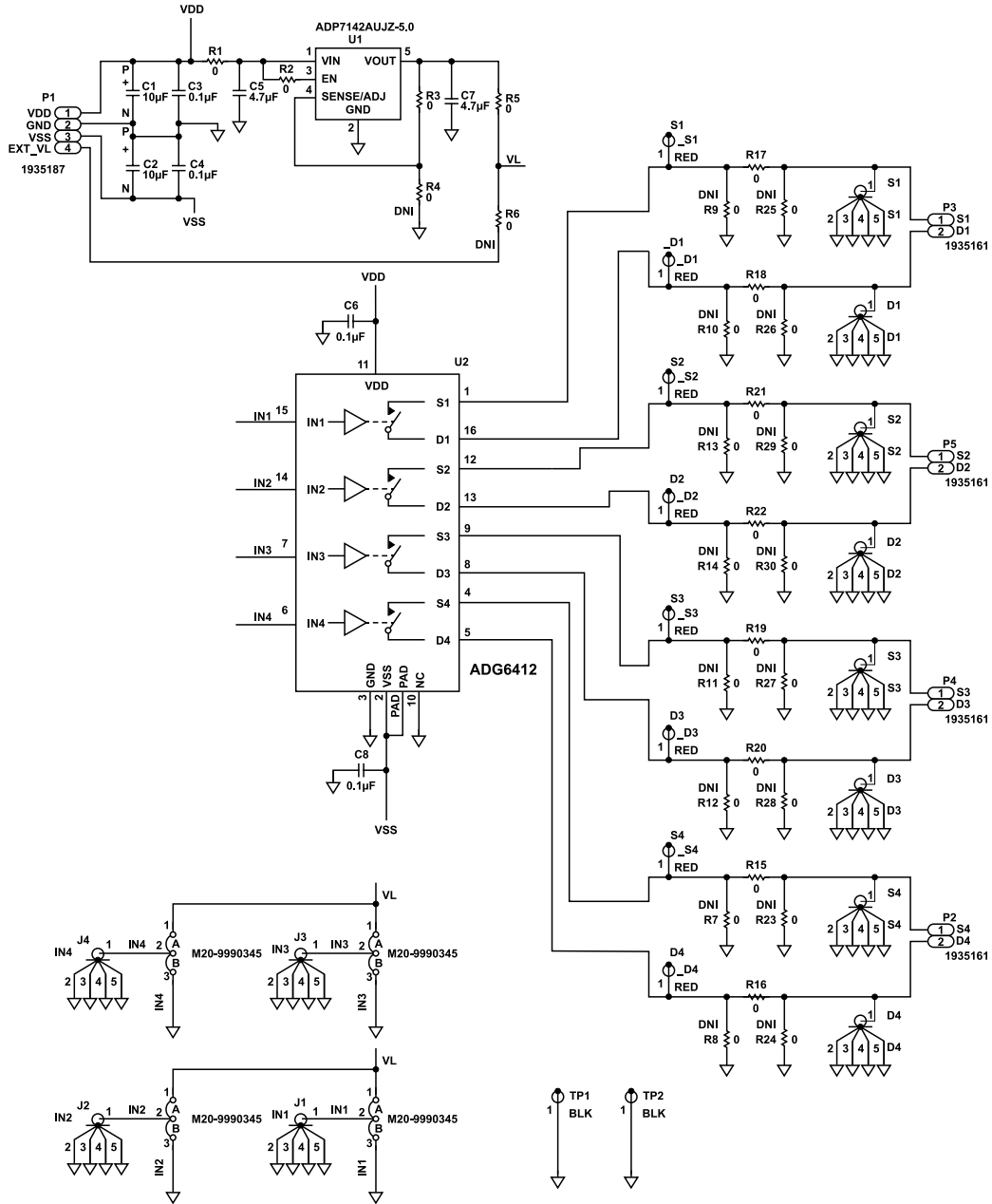


Figure 2. EVAL-ADG6412EBZ Schematic Part 1

EVALUATION BOARD SCHEMATICS AND ARTWORK

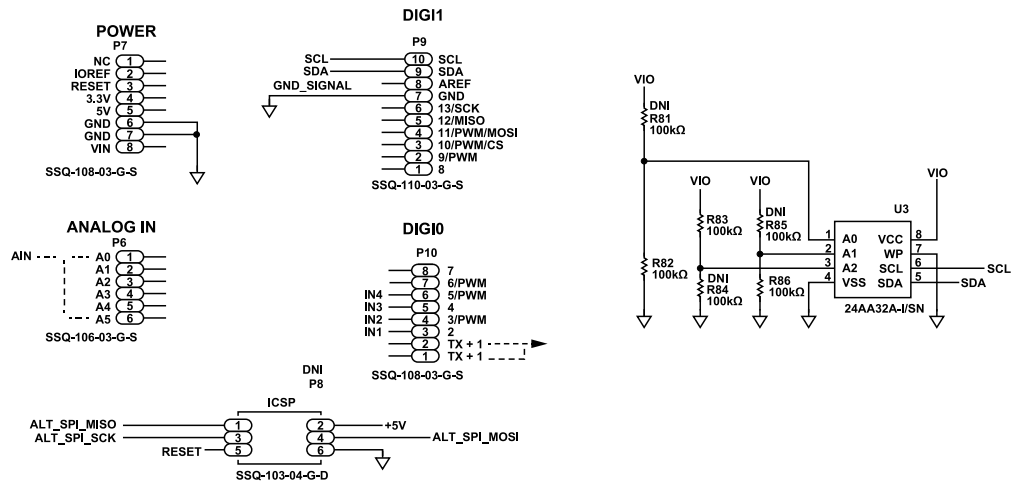


Figure 3. EVAL-ADG6412EBZ Schematic Part 2

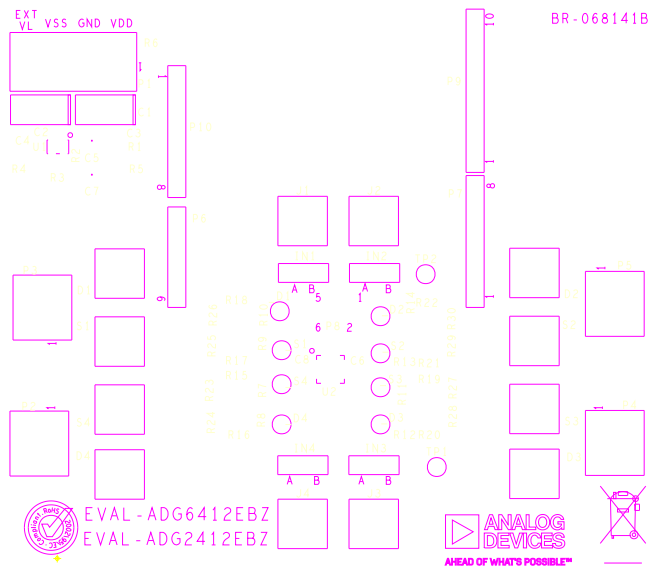


Figure 4. EVAL-ADG6412EBZ Silkscreen

EVALUATION BOARD SCHEMATICS AND ARTWORK

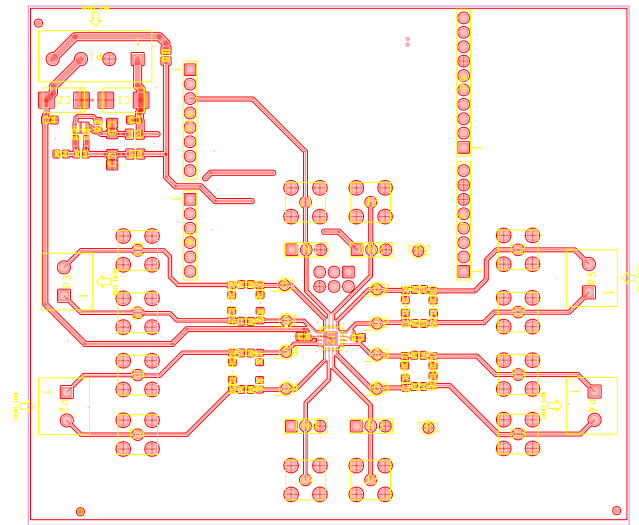


Figure 5. EVAL-ADG6412EBZ Top Layer

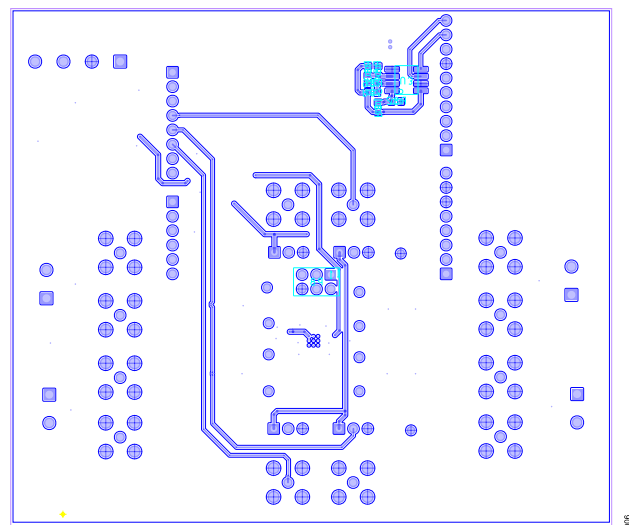


Figure 6. EVAL-ADG6412EBZ Bottom Layer

ORDERING INFORMATION

BILL OF MATERIALS

Table 2. Bill of Materials

Reference Designator	Description	Manufacturer	Part Number
C1, C2	50 V, 10 uF tantalum capacitors, 7343-31, 0.8 Ω	AVX	TAJD106M050RNJ
C3, C4, C6, C8	0.1 μ F, 50 V, ceramic capacitors, X7R, 0603	Samsung	CL10B104KB8NUNC
C5, C7	4.7 μ F, 50 V, ceramic capacitors, X5R, 0805	TDK	C2012X5R1H475K125AB
D1 to D4, J1 to J4, S1 to S4	SMB sockets	Amphenol	SMB1251B1-3GT30G-50
IN1 to IN4	Jumper blocks using 3-pin SIP header	Harwin	M20-9990345
P1	4-pin terminal, 5 mm	Phoenix Contact	1935187
P7, P10	Socket strips, square tails, 2.54 mm pitch	Samtec	SSQ-108-03-G-S
P2 to P5	2-pin terminals, 5 mm	Phoenix Contact	1935161
P6	Socket strip, square tails, 2.54 mm pitch	Samtec	SSQ-106-03-G-S
P9	Socket strip, square tails, 2.54 mm pitch	Samtec	SSQ-110-03-G-S
R1, R5	0 Ω resistors, SMD, 1/8 W, 0805	Vishay	RCG08050000Z0EA
R2, R3, R15 to R22	0 Ω jumpers, SMD, 1/4 W, 0603, AEC-Q200	Vishay	CRCW06030000Z0EAHP
R82, R83, R86	100 k Ω resistors, SMD, 1%, 1/16 W, 0603	Multicomp (SPC)	MC 0.063W 0603 1% 100K
TP1, TP2	PCB test points	Keystone Electronics	5001
U1	40 V, 200 mA, low noise, CMOS LDO linear regulator	Analog Devices	ADP7142AUJZ-5.0-R7
U2	0.5 Ω R _{ON} , \pm 15 V, +12 V, \pm 5 V, +5 V/-12 V, quad SPST switch	Analog Devices	ADG6412BPCZ
U3	IC, 32 kb serial EEPROM	Microchip Technology	24AA32A-I/SN
_D1 to _D4, _S1 to _S4	PCB test points	Keystone Electronics	5000

**ESD Caution**

ESD (electrostatic discharge) sensitive device. Charged devices and circuit boards can discharge without detection. Although this product features patented or proprietary protection circuitry, damage may occur on devices subjected to high energy ESD. Therefore, proper ESD precautions should be taken to avoid performance degradation or loss of functionality.

Legal Terms and Conditions

By using the evaluation board discussed herein (together with any tools, components documentation or support materials, the "Evaluation Board"), you are agreeing to be bound by the terms and conditions set forth below ("Agreement") unless you have purchased the Evaluation Board, in which case the Analog Devices Standard Terms and Conditions of Sale shall govern. Do not use the Evaluation Board until you have read and agreed to the Agreement. Your use of the Evaluation Board shall signify your acceptance of the Agreement. This Agreement is made by and between you ("Customer") and Analog Devices, Inc. ("ADI"), with its principal place of business at Subject to the terms and conditions of the Agreement, ADI hereby grants to Customer a free, limited, personal, temporary, non-exclusive, non-sublicensable, non-transferable license to use the Evaluation Board FOR EVALUATION PURPOSES ONLY. Customer understands and agrees that the Evaluation Board is provided for the sole and exclusive purpose referenced above, and agrees not to use the Evaluation Board for any other purpose. Furthermore, the license granted is expressly made subject to the following additional limitations: Customer shall not (i) rent, lease, display, sell, transfer, assign, sublicense, or distribute the Evaluation Board; and (ii) permit any Third Party to access the Evaluation Board. As used herein, the term "Third Party" includes any entity other than ADI, Customer, their employees, affiliates and in-house consultants. The Evaluation Board is NOT sold to Customer; all rights not expressly granted herein, including ownership of the Evaluation Board, are reserved by ADI. CONFIDENTIALITY. This Agreement and the Evaluation Board shall all be considered the confidential and proprietary information of ADI. Customer may not disclose or transfer any portion of the Evaluation Board to any other party for any reason. Upon discontinuation of use of the Evaluation Board or termination of this Agreement, Customer agrees to promptly return the Evaluation Board to ADI. ADDITIONAL RESTRICTIONS. Customer may not disassemble, decompile or reverse engineer chips on the Evaluation Board. Customer shall inform ADI of any occurred damages or any modifications or alterations it makes to the Evaluation Board, including but not limited to soldering or any other activity that affects the material content of the Evaluation Board. Modifications to the Evaluation Board must comply with applicable law, including but not limited to the RoHS Directive. TERMINATION. ADI may terminate this Agreement at any time upon giving written notice to Customer. Customer agrees to return to ADI the Evaluation Board at that time. LIMITATION OF LIABILITY. THE EVALUATION BOARD PROVIDED HEREUNDER IS PROVIDED "AS IS" AND ADI MAKES NO WARRANTIES OR REPRESENTATIONS OF ANY KIND WITH RESPECT TO IT. ADI SPECIFICALLY DISCLAIMS ANY REPRESENTATIONS, ENDORSEMENTS, GUARANTEES, OR WARRANTIES, EXPRESS OR IMPLIED, RELATED TO THE EVALUATION BOARD INCLUDING, BUT NOT LIMITED TO, THE IMPLIED WARRANTY OF MERCHANTABILITY, TITLE, FITNESS FOR A PARTICULAR PURPOSE OR NON-INFRINGEMENT OF INTELLECTUAL PROPERTY RIGHTS. IN NO EVENT WILL ADI AND ITS LICENSORS BE LIABLE FOR ANY INCIDENTAL, SPECIAL, INDIRECT, OR CONSEQUENTIAL DAMAGES RESULTING FROM CUSTOMER'S POSSESSION OR USE OF THE EVALUATION BOARD, INCLUDING BUT NOT LIMITED TO LOST PROFITS, DELAY COSTS, LABOR COSTS OR LOSS OF GOODWILL. ADI'S TOTAL LIABILITY FROM ANY AND ALL CAUSES SHALL BE LIMITED TO THE AMOUNT OF ONE HUNDRED US DOLLARS (\$100.00). EXPORT. Customer agrees that it will not directly or indirectly export the Evaluation Board to another country, and that it will comply with all applicable United States federal laws and regulations relating to exports. GOVERNING LAW. This Agreement shall be governed by and construed in accordance with the substantive laws of the Commonwealth of Massachusetts (excluding conflict of law rules). Any legal action regarding this Agreement will be heard in the state or federal courts having jurisdiction in Suffolk County, Massachusetts, and Customer hereby submits to the personal jurisdiction and venue of such courts. The United Nations Convention on Contracts for the International Sale of Goods shall not apply to this Agreement and is expressly disclaimed.

