

Evaluating the ADG1634L 4.7 Ω R_{ON} , Quad SPDT Switch with 1.2 V and 1.8 V JEDEC Logic Compliance**FEATURES**

- ▶ Single inline headers provide flexibility for the field programmable gate array (FPGA) or microcontroller 1.2 V or 1.8V logic input signals
- ▶ SMD pin resistor or capacitor sockets available for the addition of passive components
- ▶ SMB connector sockets provide flexibility for the input and output signals

EVALUATION KIT CONTENTS

- ▶ EVAL-ADG1634LEBZ evaluation board

DOCUMENTS NEEDED

- ▶ [ADG1634L](#) data sheet
- ▶ EVAL-ADG1634LEBZ user guide

EQUIPMENT NEEDED

- ▶ DC voltage source (V_{DD}/V_{SS})
 - ▶ ± 5 V for dual supply
- ▶ Optional digital logic supply (V_L)
 - ▶ 1.1 V to 1.3 V for 1.2 V logic
 - ▶ 1.65 V to 1.95 V for 1.8 V logic
- ▶ Analog signal source
- ▶ Method to measure voltage, such as a digital multimeter (DMM)

GENERAL DESCRIPTION

The EVAL-ADG1634LEBZ is the evaluation board for the ADG1634L. The ADG1634L contains four independent single-pole, double-throw (SPDT) switches. Each switch conducts equally well in both directions when on, and each switch has an input signal range that extends to the supplies. In the off condition, signal levels up to the supplies are blocked.

An external V_L supply pin provides logic control flexibility for lower logic controls. The ADG1634L is both 1.2 V and 1.8 V JEDEC standard compliant.

[Figure 1](#) shows the EVAL-ADG1634LEBZ in a typical evaluation setup. The EVAL-ADG1634LEBZ is located in the center of the evaluation board. Eight test points are included to connect to each of the source pins. Subminiature Version B (SMB) sockets are included for the drain inputs. Three screw terminals power the device. A 5-pin header is provided for user defined digital voltage, if required.

Full specifications on the ADG1634L are available in the ADG1634L data sheet available from Analog Devices, Inc., and should be consulted in conjunction with this user guide when using the EVAL-ADG1634LEBZ.

TABLE OF CONTENTS

Features.....	1	Power Supply.....	4
Evaluation Kit Contents.....	1	Link Headers.....	4
Documents Needed.....	1	SMB Connectors.....	4
Equipment Needed.....	1	Input Signals.....	4
General Description.....	1	Evaluation Board Schematic and Artwork.....	5
Evaluation Board Photograph.....	3	Ordering Information.....	9
Evaluation Board Hardware.....	4	Bill of Materials.....	9

REVISION HISTORY

4/2022—Revision 0: Initial Version

EVALUATION BOARD PHOTOGRAPH

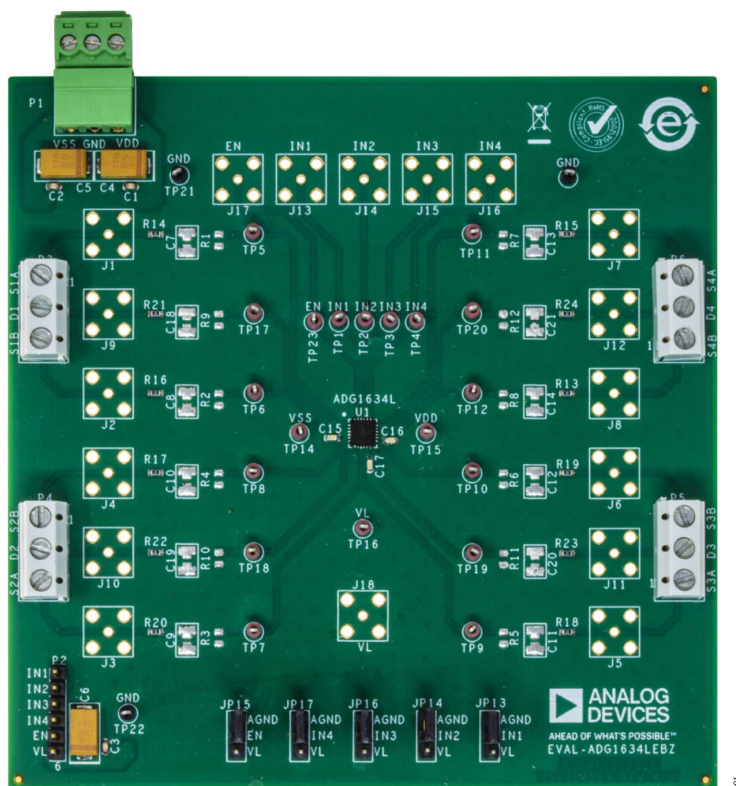


Figure 1.

EVALUATION BOARD HARDWARE

POWER SUPPLY

Connector P1 provides access to the supply pins on the [ADG1634L](#). VDD, GND, and VSS on P1 link to the appropriate pins on the ADG1634L. For dual-supply voltages, the EVAL-ADG1634LEBZ can be powered at ± 5 V. For single-supply voltages, the GND and VSS terminals must be connected and power the EVAL-ADG1634LEBZ with 5 V or 12 V. Additionally, 1.1 V to 1.95 V is supplied to the V_L pin of the ADG1634L.

LINK HEADERS

A number of link options are provided on the EVAL-ADG1634LEBZ that must be set for the required operating conditions before using. [Table 1](#) shows the summary of the link headers and how they are used on the EVAL-ADG1634LEBZ. The functions of these link options are described in detail in [Table 2](#).

Table 1. Link Header Descriptions

Link	Position	Description
JP13 to JP17	A	V_L
	B	GND

Table 2. Link Header Functions

Link	Function
JP13 to JP17	This link selects the source of the IN_x voltage supplied to the ADG1634L. Position A selects V_L from P2. Position B selects 0 V or GND.

SMB CONNECTORS

The parallel interface of the ADG1634L is controlled manually using the link headers of JP13 to JP17, or it can be accessed using the SMB connectors, IN1 to IN4. To use the SMB connectors, remove the JP13 to JP17 link headers.

INPUT SIGNALS

Four screw connectors, P3, P4, P5, and P6, are provided to connect to both the source and drain pins of the ADG1634L. Additional SMB connector pads are available if extra connections are required.

Each trace on the source and drain side includes two sets of 0603 pads, which can place a load on the signal path to ground. A $0\ \Omega$ resistor is placed in the signal path and can be replaced with a user defined value. The resistor combined with the 0603 pads can create a simple RC filter.

EVALUATION BOARD SCHEMATIC AND ARTWORK

200

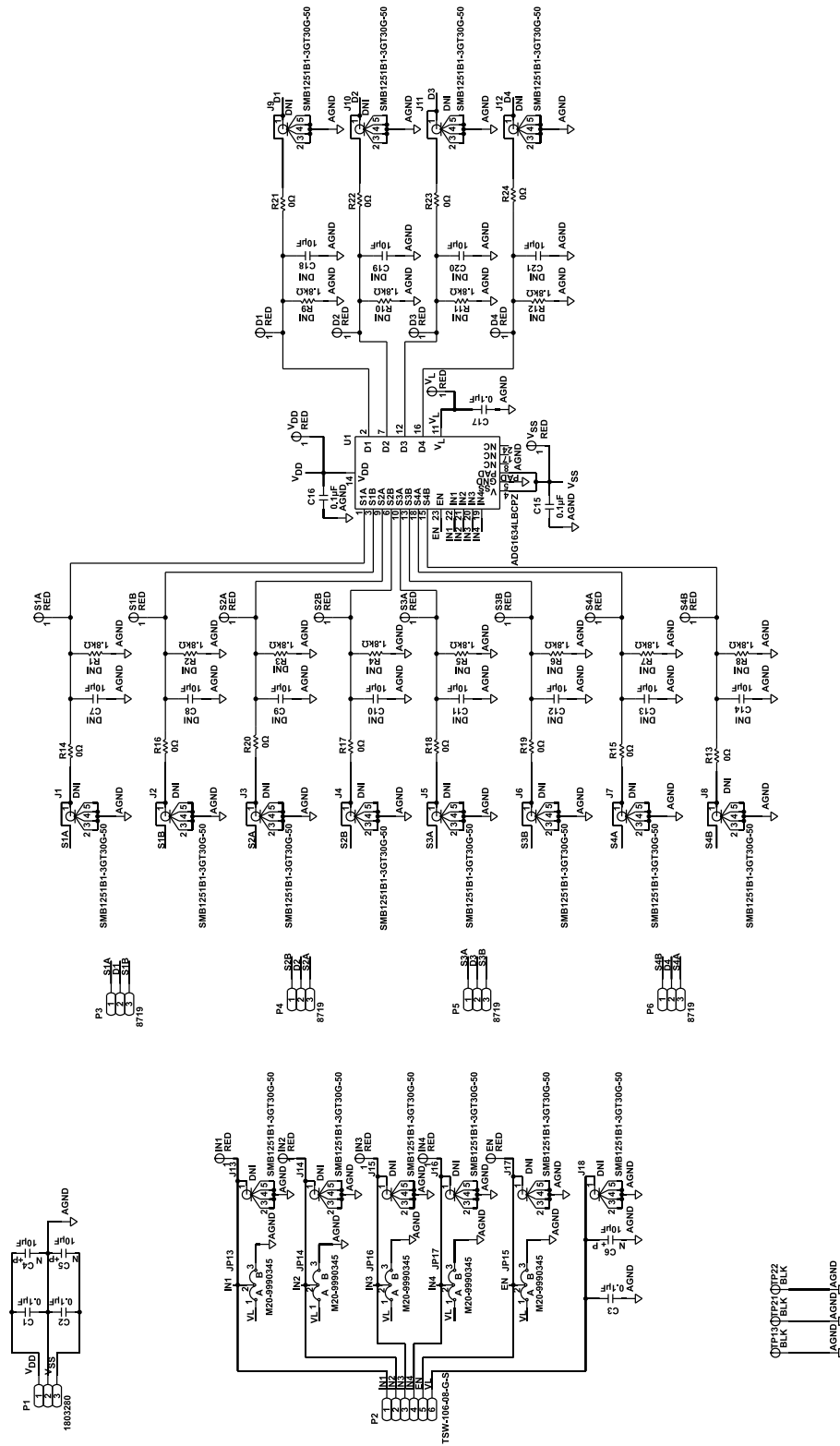


Figure 2. EVAL-ADG1634LEBZ Evaluation Board Schematic, Part 1

EVALUATION BOARD SCHEMATIC AND ARTWORK

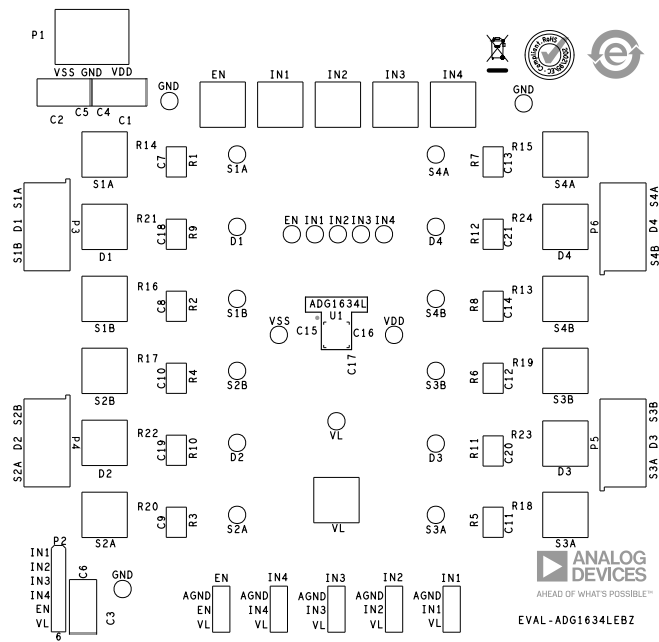


Figure 3. EVAL-ADG1634LEBZ Silkscreen

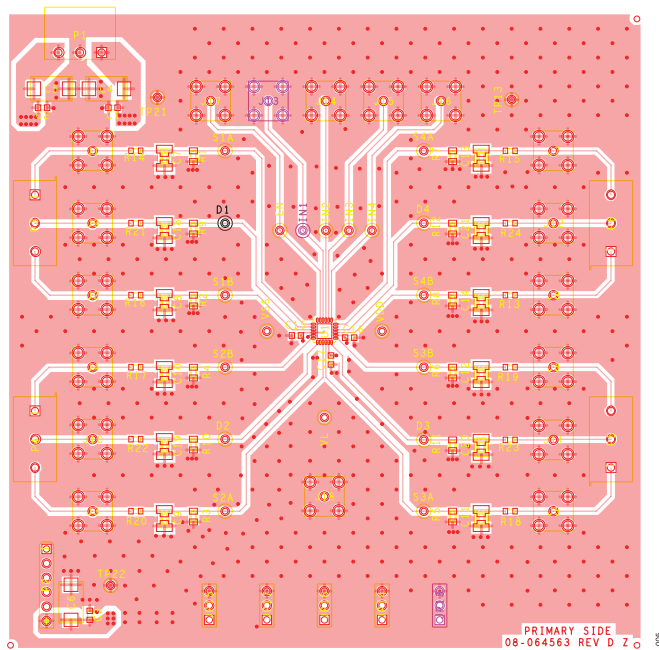


Figure 4. EVAL-ADG1634LEBZ Top Layer

EVALUATION BOARD SCHEMATIC AND ARTWORK

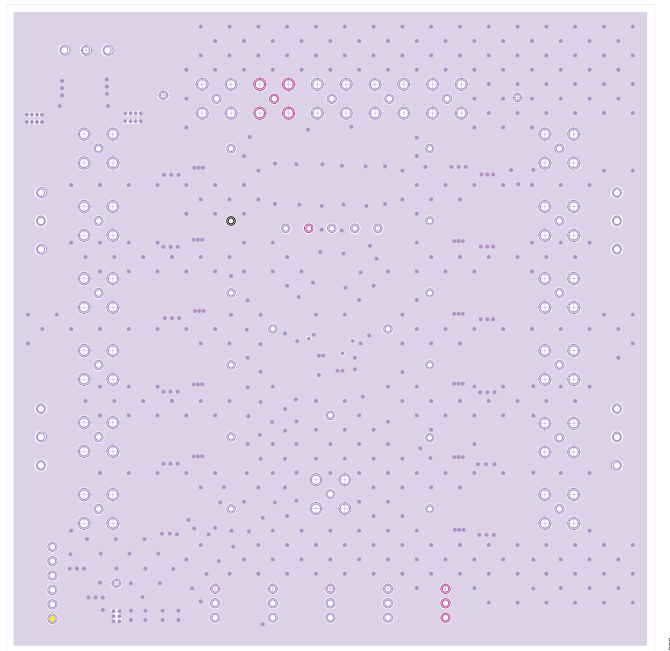


Figure 5. EVAL-ADG1634LEBZ Layer 2

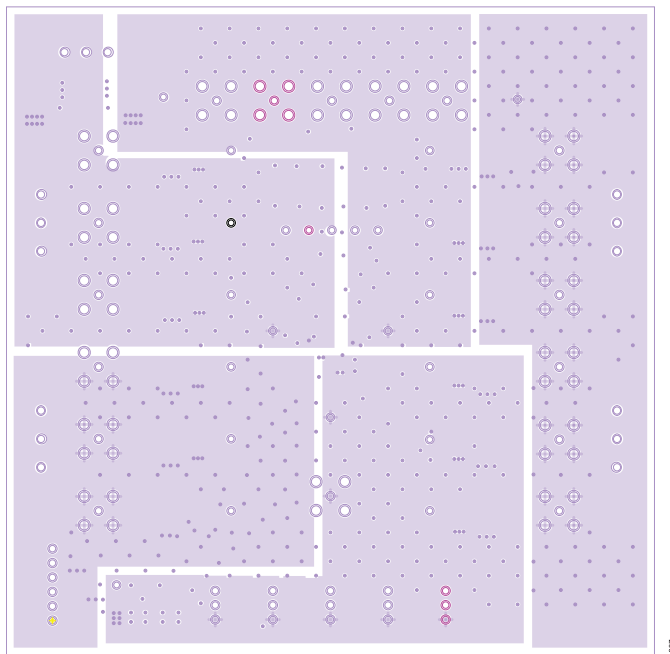


Figure 6. EVAL-ADG1634LEBZ Layer 3

EVALUATION BOARD SCHEMATIC AND ARTWORK

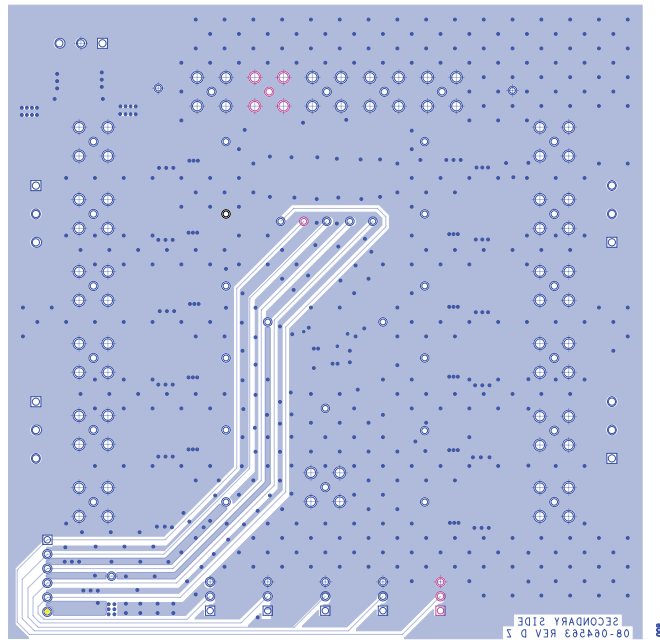


Figure 7. EVAL-ADG1634LEBZ Bottom Layer

ORDERING INFORMATION

BILL OF MATERIALS

Table 3.

Reference Designator	Description	Manufacturer	Part Number
C1 to C3	50 V tantalum capacitors, 10 μ F, D size	Kemet	T491D106K050AT
C4 to C6, C15 to C17	50 V, X7R multilayer ceramic capacitors, 0.1 μ F, 0603	Vishay	VJ0603Y104KX AAC31X
C7 to C14, C18 to C21	Not placed	Not applicable	Not applicable
R1 to R12	Not placed	Not applicable	Not applicable
R13 to R24	Resistors, 0 Ω , 0603, 1%	Yageo	RC0603JR-070RL
J1 to J18	50 Ω , SMB sockets, not placed	Amphenol	SMB1251B1-3GT30G-50
T1 to T12, TP14 to TP20, TP23	Red test points	Vero Technologies	20-313137
TP13, TP21 to TP22	Black test points	Vero Technologies	20-2137
P1	Header, right angle, 3.81 mm with plug	Phoenix Contact	1803280
P2	Through hole header, 6-position	Samtec	TSW-106-08-G-S
P3 to P6	2-pin terminal blocks, 5 mm	Keystone Electronics	8719
JP13 to JP17	3-pin single inline headers and shorting links	Harwin	M20-9990345
U1	ADG1634L, 4.7 Ω R_{ON} , quad SPDT switch with 1.2 V and 1.8 V JEDEC logic compliance	Analog Devices Inc.	ADG1634L

**ESD Caution**

ESD (electrostatic discharge) sensitive device. Charged devices and circuit boards can discharge without detection. Although this product features patented or proprietary protection circuitry, damage may occur on devices subjected to high energy ESD. Therefore, proper ESD precautions should be taken to avoid performance degradation or loss of functionality.

Legal Terms and Conditions

By using the evaluation board discussed herein (together with any tools, components documentation or support materials, the "Evaluation Board"), you are agreeing to be bound by the terms and conditions set forth below ("Agreement") unless you have purchased the Evaluation Board, in which case the Analog Devices Standard Terms and Conditions of Sale shall govern. Do not use the Evaluation Board until you have read and agreed to the Agreement. Your use of the Evaluation Board shall signify your acceptance of the Agreement. This Agreement is made by and between you ("Customer") and Analog Devices, Inc. ("ADI"), with its principal place of business at Subject to the terms and conditions of the Agreement, ADI hereby grants to Customer a free, limited, personal, temporary, non-exclusive, non-sublicensable, non-transferable license to use the Evaluation Board FOR EVALUATION PURPOSES ONLY. Customer understands and agrees that the Evaluation Board is provided for the sole and exclusive purpose referenced above, and agrees not to use the Evaluation Board for any other purpose. Furthermore, the license granted is expressly made subject to the following additional limitations: Customer shall not (i) rent, lease, display, sell, transfer, assign, sublicense, or distribute the Evaluation Board; and (ii) permit any Third Party to access the Evaluation Board. As used herein, the term "Third Party" includes any entity other than ADI, Customer, their employees, affiliates and in-house consultants. The Evaluation Board is NOT sold to Customer; all rights not expressly granted herein, including ownership of the Evaluation Board, are reserved by ADI. CONFIDENTIALITY. This Agreement and the Evaluation Board shall all be considered the confidential and proprietary information of ADI. Customer may not disclose or transfer any portion of the Evaluation Board to any other party for any reason. Upon discontinuation of use of the Evaluation Board or termination of this Agreement, Customer agrees to promptly return the Evaluation Board to ADI. ADDITIONAL RESTRICTIONS. Customer may not disassemble, decompile or reverse engineer chips on the Evaluation Board. Customer shall inform ADI of any occurred damages or any modifications or alterations it makes to the Evaluation Board, including but not limited to soldering or any other activity that affects the material content of the Evaluation Board. Modifications to the Evaluation Board must comply with applicable law, including but not limited to the RoHS Directive. TERMINATION. ADI may terminate this Agreement at any time upon giving written notice to Customer. Customer agrees to return to ADI the Evaluation Board at that time. LIMITATION OF LIABILITY. THE EVALUATION BOARD PROVIDED HEREUNDER IS PROVIDED "AS IS" AND ADI MAKES NO WARRANTIES OR REPRESENTATIONS OF ANY KIND WITH RESPECT TO IT. ADI SPECIFICALLY DISCLAIMS ANY REPRESENTATIONS, ENDORSEMENTS, GUARANTEES, OR WARRANTIES, EXPRESS OR IMPLIED, RELATED TO THE EVALUATION BOARD INCLUDING, BUT NOT LIMITED TO, THE IMPLIED WARRANTY OF MERCHANTABILITY, TITLE, FITNESS FOR A PARTICULAR PURPOSE OR NON-INFRINGEMENT OF INTELLECTUAL PROPERTY RIGHTS. IN NO EVENT WILL ADI AND ITS LICENSORS BE LIABLE FOR ANY INCIDENTAL, SPECIAL, INDIRECT, OR CONSEQUENTIAL DAMAGES RESULTING FROM CUSTOMER'S POSSESSION OR USE OF THE EVALUATION BOARD, INCLUDING BUT NOT LIMITED TO LOST PROFITS, DELAY COSTS, LABOR COSTS OR LOSS OF GOODWILL. ADI'S TOTAL LIABILITY FROM ANY AND ALL CAUSES SHALL BE LIMITED TO THE AMOUNT OF ONE HUNDRED US DOLLARS (\$100.00). EXPORT. Customer agrees that it will not directly or indirectly export the Evaluation Board to another country, and that it will comply with all applicable United States federal laws and regulations relating to exports. GOVERNING LAW. This Agreement shall be governed by and construed in accordance with the substantive laws of the Commonwealth of Massachusetts (excluding conflict of law rules). Any legal action regarding this Agreement will be heard in the state or federal courts having jurisdiction in Suffolk County, Massachusetts, and Customer hereby submits to the personal jurisdiction and venue of such courts. The United Nations Convention on Contracts for the International Sale of Goods shall not apply to this Agreement and is expressly disclaimed.

