



**TABLE OF CONTENTS**

Features.....	1	Reference Input.....	4
Evaluation Board Contents.....	1	Clock Outputs.....	4
Equipment Needed.....	1	Calibration Path.....	4
Documents Needed.....	1	Loop Filter.....	4
Required Software.....	1	Serial Peripheral Interface (SPI).....	5
General Description.....	1	Default Configuration.....	5
Evaluation Board Photograph.....	1	Evaluation Board Software.....	6
Getting Started.....	3	Main Controls.....	7
Software Installation Procedures.....	3	Evaluation and Test.....	9
Evaluation Board Setup Procedures.....	3	Evaluation Board Schematic and Artwork.....	10
Evaluation Board Hardware.....	4	Ordering Information.....	17
Power Supplies.....	4	Bill of Materials.....	17

**REVISION HISTORY****10/2022—Revision 0: Initial Version**

## GETTING STARTED

### SOFTWARE INSTALLATION PROCEDURES

To install the [ACE](#) software and [ADF4377](#) plugin, perform the following steps:

1. Install the latest version of the ACE software platform.
2. If the ADF4377 plugin appears automatically, proceed to Step 4.
3. Double-click the ADF4377 plugin file, **Board.ADF4377.1.2022.13200.acezip**.
4. Check that the ADF4377 plugin appears when the EV-ADF4377SD1Z is attached through the system demonstration platform (SDP) connector to the PC, as shown in [Figure 3](#).

### EVALUATION BOARD SETUP PROCEDURES

The EV-ADF4377SD1Z setup diagram is shown in [Figure 2](#). The EV-ADF4377SD1Z uses a single 6 V power supply with J14 and J15 banana plugs or a J12 SMA connector by default. On-board low noise LDO regulators are used to generate nominal 3.3 V and 5 V supplies.

Details of the power supply circuitry are given in the [Power Supplies](#) section.

To power-up the EV-ADF4377SD1Z, perform the following steps:

1. Set the voltage of the power supply to 6 V and the current limit to 1 A
2. Connect power cables to J14 and J15 (two banana cables) or to J12 (single SMA cable)
3. Turn-on the power

To run the software, perform the following steps:

1. Select **Start > All Programs > Analog Devices > ACE**
2. On the **Select Device and Connection** tab, choose **ADF4377** and the EV-ADF4377SD1Z appears as shown in [Figure 3](#) under **Attached Hardware**
3. When connecting the EV-ADF4377SD1Z, allow 5 sec to 10 sec for the label on the status bar to change

## EVALUATION BOARD HARDWARE

The EV-ADF4377SD1Z requires the [SDP-S](#) platform that uses the [EVAL-SDP-CS1Z](#).

The EV-ADF4377SD1Z schematics are shown in [Figure 8](#), [Figure 9](#), [Figure 10](#), and [Figure 11](#).

### POWER SUPPLIES

The EV-ADF4377SD1Z is powered by a 6 V power supply connected to the J12 SMA, or the banana plug, J14, and GND to the banana plug, J15.

The power supply circuitry has three [LT3045](#) and one [LT3042](#) high performance, low noise, and low dropout (LDO) regulators.

One LT3045 is used to generate 5 V to drive the VCO supply pins. The other two LT3045 provide 3.3 V supplies for Supply Group 1 and Supply Group 2.

Component placement for single 6 V supply is given in [Table 1](#). The EV-ADF4377SD1Z provides the flexibility to use external 3.3 V and 5 V supplies with component placement changes shown in [Table 2](#).

**Table 1. Component Placement for Power Supplies for Single 6 V Supply**

6 V	3.3 V Supply Group 1		3.3 V Supply Group 2		5 V Supply Group 1	
	R11	R21	R12	R22	R16	R26
Component	0 Ω	Do not install (DNI)	0 Ω	DNI	0 Ω	DNI
Connector	J14 and J15 banana plug or J12 SMA connector					

**Table 2. Component Placement for Power Supplies for External Supplies**

External Supply	3.3 V Supply Group 1		3.3 V Supply Group 2		5 V Supply Group 1	
	R11	R21	R12	R22	R16	R26
Component	DNI	0 Ω	DNI	0 Ω	DNI	0 Ω
Connector	J13		J17		J16	

LT3042 is used to generate 5 V to drive the on-board ultralow phase noise sine wave oscillator.

### REFERENCE INPUT

The EV-ADF4377SD1Z has an on-board 125 MHz ultralow phase noise sine wave oscillator to drive the [ADF4377](#) reference input. The single-ended oscillator output is connected to the REFP pin, and the REFN pin is ac grounded.

The Y2 reference footprint supports 5 mm x 7.5 mm and 14 mm x 9 mm packages in the 4-pin or 6-pin format. The R87 and R91 resistors can be populated if there is a need to set the control voltage of an alternative voltage controlled crystal oscillator (VCXO).

The default oscillator supply voltage is set to 5 V. If an alternative oscillator requires a different supply voltage, the resistor of the LT3042, R17, can be changed to provide the required supply voltage.

The reference input can also be driven externally via a pair of SMA connectors, REFN (J4) and REFP (J11). The on-board oscillator supply must be disabled when using an external reference.

[Table 3](#) provides the required EV-ADF4377SD1Z modifications for the external reference clock.

The ADF4377 has a configurable reference input buffer whose performance can be optimized for different reference slew rates, amplitudes, and frequencies. Refer to the ADF4377 data sheet for more information on the REF\_SEL bit, BST\_REF bit, and FILT\_REF bit.

Refer to the ADF4377 data sheet for detailed reference buffer amplitude and frequency considerations.

**Table 3. Component Placement for Different Reference Sources**

Component	Default Board Oscillator	On-Single-Ended External Reference	Differential External Reference	
			CML/LVPECL	LVDS
P8	Short Pin 1 and Pin 2	Short Pin 2 and Pin 3	Short Pin 2 and Pin 3	Short Pin 2 and Pin 3
C120	1 μF	Remove C120	Remove C120	Remove C120
C13	DNI	1 μF	1 μF	1 μF
C110	DNI	DNI	1 μF	1 μF
R9	0 Ω	0 Ω	Remove R9	Remove R9
R10	49.9 Ω	49.9 Ω	Remove R10	Remove R10
R13	DNI	DNI	100 Ω	100 Ω

### CLOCK OUTPUTS

The EV-ADF4377SD1Z has two pairs of SMA connectors for the CLK1P/CLK1N and CLK2P/CLK2N differential clock outputs.

The output power of clock output channels can be adjusted via software, individually.

The clock output channels can be powered-down separately via software or hardware.

If only one port of a differential pair is used, terminate the complementary port with an equal load terminator (in general, a 50 Ω terminator). Refer to the ADF4377 data sheet for more information on output termination examples.

### CALIBRATION PATH

The EV-ADF4377SD1Z calibration path has two pairs of SMA connectors, which are labeled REFN\_CAL/REFP\_CAL and CLK2P\_CAL/CLK2N\_CAL. The calibration path is used to measure and calibrate out the EV-ADF4377SD1Z effect on reference to output delay.

### LOOP FILTER

The loop filter schematic is included in [Figure 8](#). The fifth order loop filter on the EV-ADF4377SD1Z is optimized for the ADF4377 low noise amplifier (LNA) reference amplifier, a 6 dBm sine wave

**EVALUATION BOARD HARDWARE**

reference frequency of 125 MHz, a phase frequency detector (PFD) frequency of 250 MHz, and an 11.1 mA charge pump current. A fourth order loop filter may be used with faster slew rate reference signals that allow for use of the delay matched amplifier (DMA) reference amplifier of the ADF4377. Refer to the ADF4377 data sheet for more information on loop filter design.

**SERIAL PERIPHERAL INTERFACE (SPI)**

Connector P5 interfaces with the SDP-S to evaluate the ADF4377 using the ACE GUI software. A second connector, P2, is provided for software development. The P2 connector allows for a common open source hardware (OSH) board, such as a peripheral module (Pmod™), Raspberry Pi, and SDP-K1, to interface directly with the EV-ADF4377SD1Z.

**DEFAULT CONFIGURATION**

All components necessary for local oscillator (LO) generation are installed on the EV-ADF4377SD1Z. The EV-ADF4377SD1Z is shipped with a 125 MHz crystal oscillator (XO), the ADF4377 synthesizer with an integrated VCO, and a 650 kHz loop filter (charge pump current ( $I_{CP}$ ) = 11.1 mA) at 10 GHz. When the EV-ADF4377SD1Z is powered-up and connected to the ACE software, clicking the **LoadDefault** and **Write All Registers/ Initialize** buttons, shown in Figure 5, provides a 10 GHz output clock on both clock output channels.

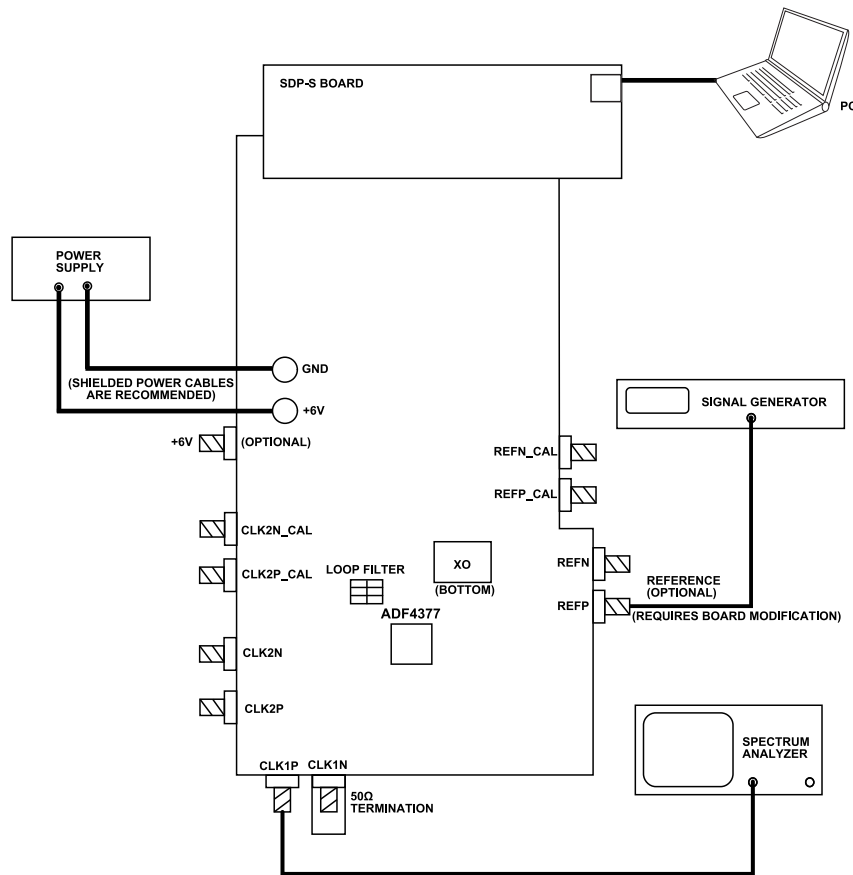


Figure 2. EV-ADF4377SD1Z Setup Diagram

EVALUATION BOARD SOFTWARE

The ACE software is the main platform that is used to control the EV-ADF4377SD1Z. The ADF4377 plugin includes user interfaces that relate to the ADF4377 and allow evaluation of the device. Use the following steps to open the main control window for the ADF4377:

1. Launch the ACE application. With the SDP-S board connected to the EV-ADF4377SD1Z, the attached hardware appears in the graphical user interface (GUI), as shown in Figure 3.

2. Double-click the **ADF4377 Board** button, and the tab shown in Figure 4 appears.
3. Double-click the **ADF4377** button that appears in Figure 4 to open the main control window shown in Figure 5.

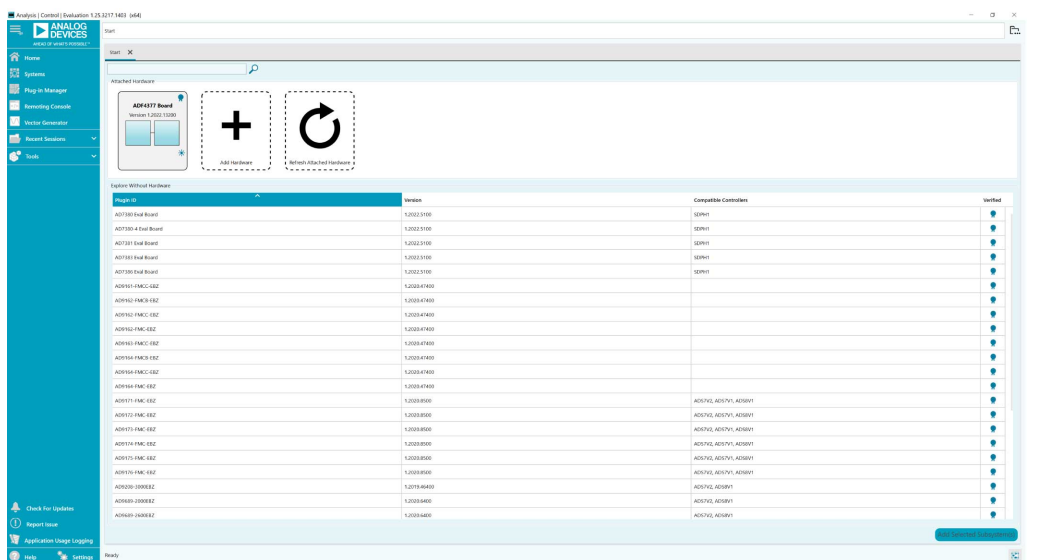


Figure 3. ACE Start Page, Attached Hardware (ADF4377 Board Button)

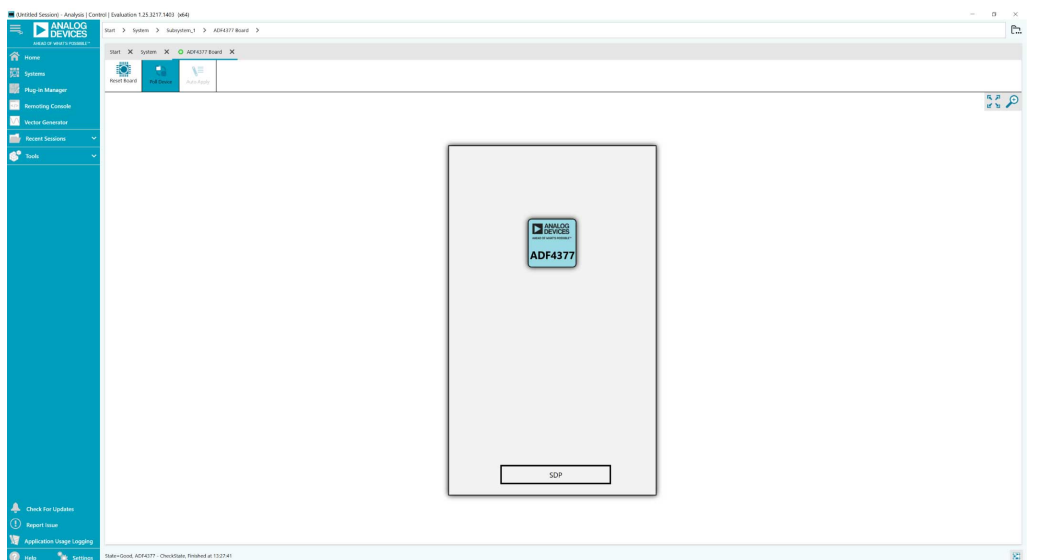


Figure 4. ACE Board Page, Device Selection

## EVALUATION BOARD SOFTWARE

## MAIN CONTROLS

The main controls are available in the high level register map, shown in Figure 5. To modify registers, perform the following steps:

1. ACE plug-in is opened with power-on reset register values. The **LoadDefault** button must be clicked to load the suggested register settings for initialization.
2. After clicking **LoadDefault**, any changes to the configuration can be made before writing to device.
3. Click **Write All Registers/ Initialize** to load all registers and initialize the device.
4. Modify the registers as desired.

Click **Apply Changes** to load modified settings to the device. This action loads the updated registers only. All registers can be reloaded using the **Write All Registers/ Initialize** button.

The following list provides some miscellaneous tips to aid in executing common task:

- ▶ If VCO frequency or output frequency is outside of the operational range, an error message appears under the **ERRORS** box of the window.
- ▶ To power down specific ADF4377 blocks, refer to the **POWER-DOWN** list in the window.
- ▶ To save a specific ADF4377 register configuration, click **Memory Map Side-By-Side** and then click **Export**. This exports the register values to a .csv file.

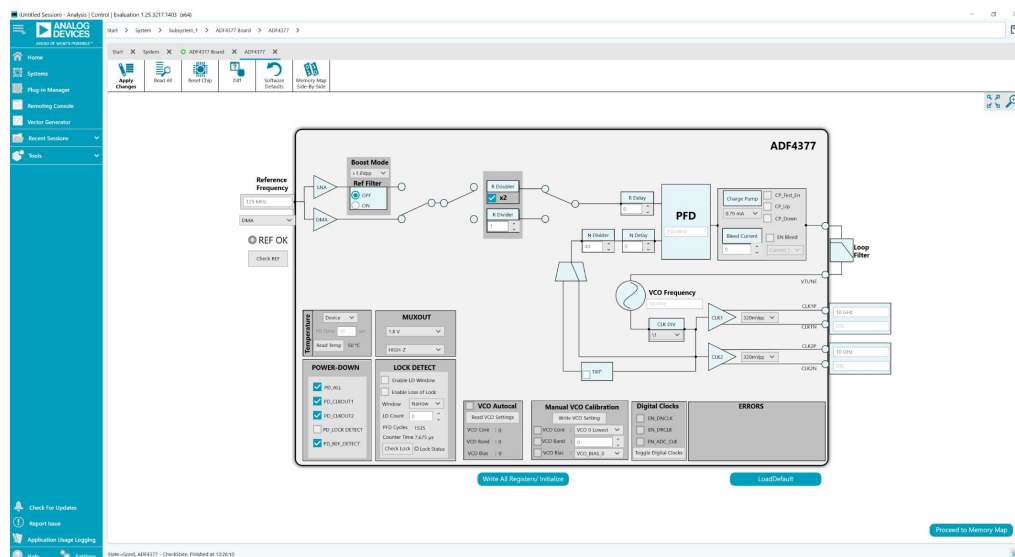


Figure 5. Main Page

EVALUATION BOARD SOFTWARE

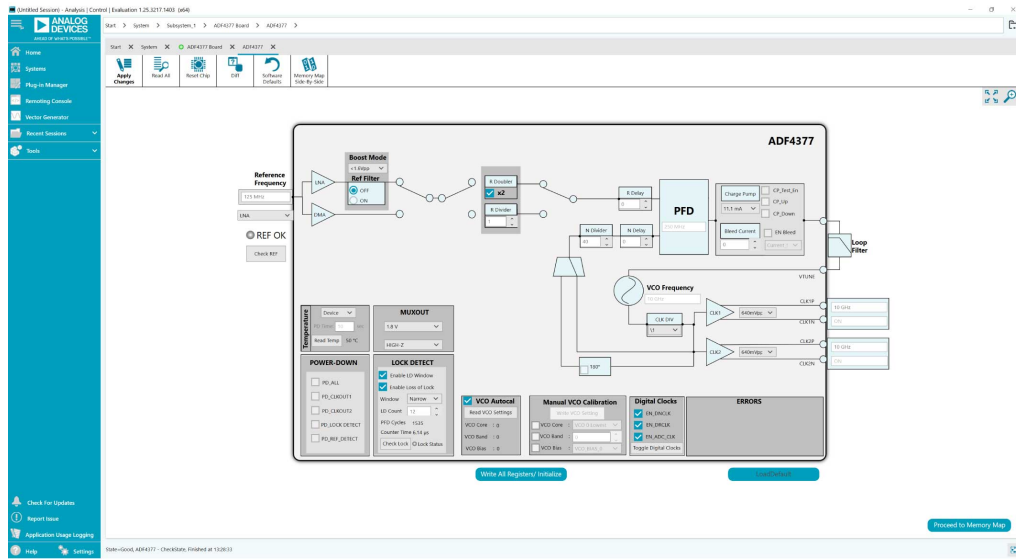


Figure 6. Main Page After Loading Suggested Register Settings



**EVALUATION AND TEST**

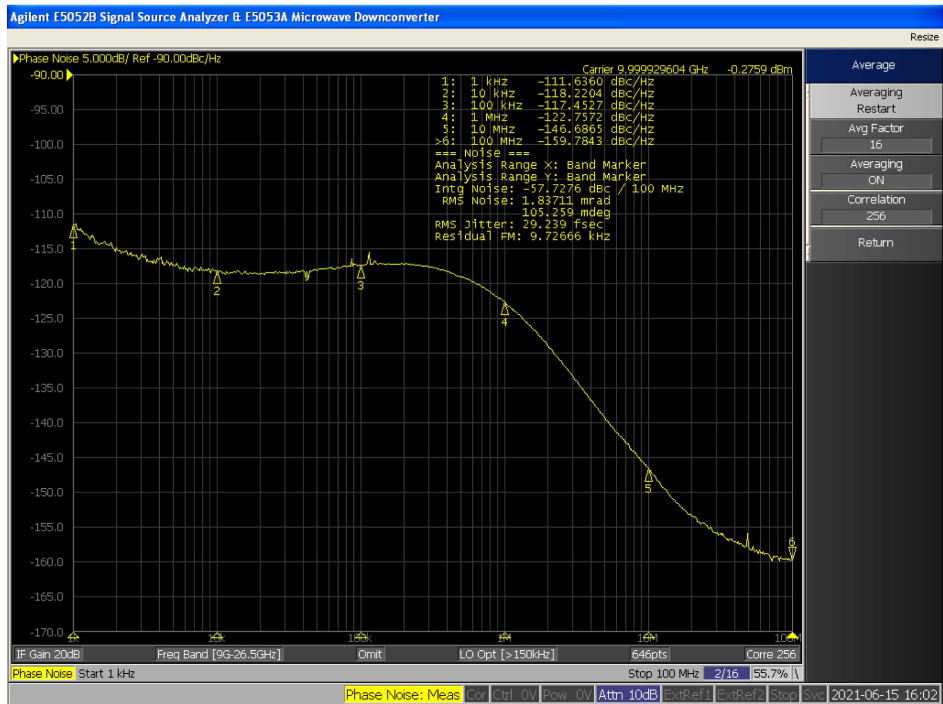
To evaluate and test the performance of the [ADF4377](#), prepare the hardware and software setup as explained in the [Evaluation Board Hardware](#) section and the [Evaluation Board Software](#) section.

Run the software and follow the steps shown in the [Evaluation Board Software](#) section to open the main page as shown in [Figure 5](#).

Click the **LoadDefault** and **Write All Registers/ Initialize** buttons, respectively, which provide an 8 GHz clock at both the CLK1P/

CLK1N and CLK2P/CLK2N outputs. Measure the output spectrum and single sideband phase noise on a spectrum analyzer.

[Figure 7](#) shows a phase noise plot of the SMA CLK1P output equal to 10 GHz with an on-board ultralow noise sine wave oscillator (250 MHz PFD frequency).



**Figure 7. Single Sideband Phase Noise of 10 GHz Output with On-Board 125 MHz Oscillator**

EVALUATION BOARD SCHEMATIC AND ARTWORK

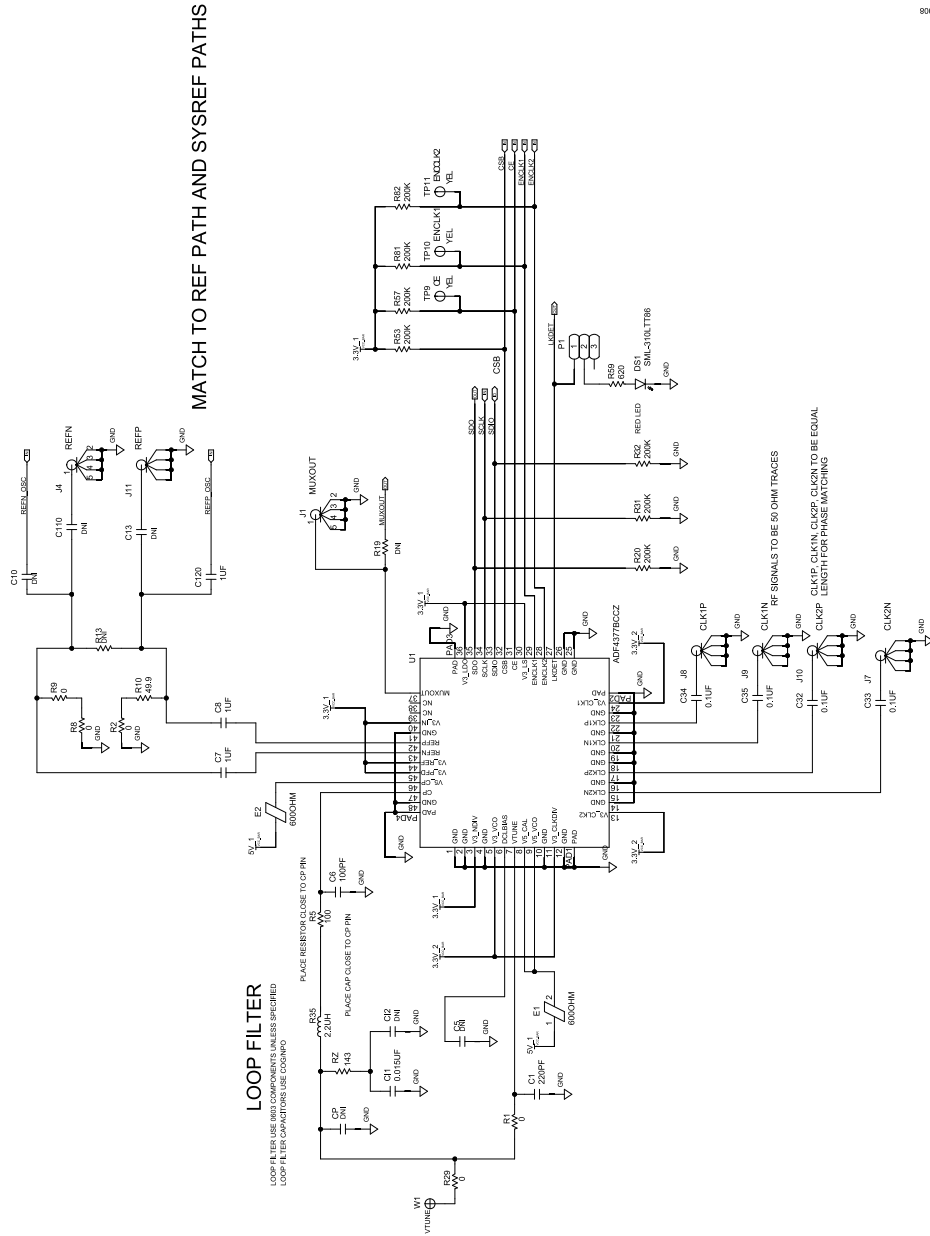


Figure 8. EV-ADF4377SD1Z Schematic, ADF4377 Connections and Loop Filter

EVALUATION BOARD SCHEMATIC AND ARTWORK

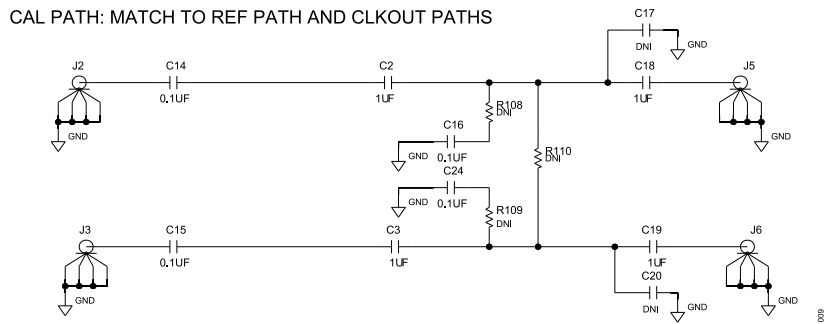
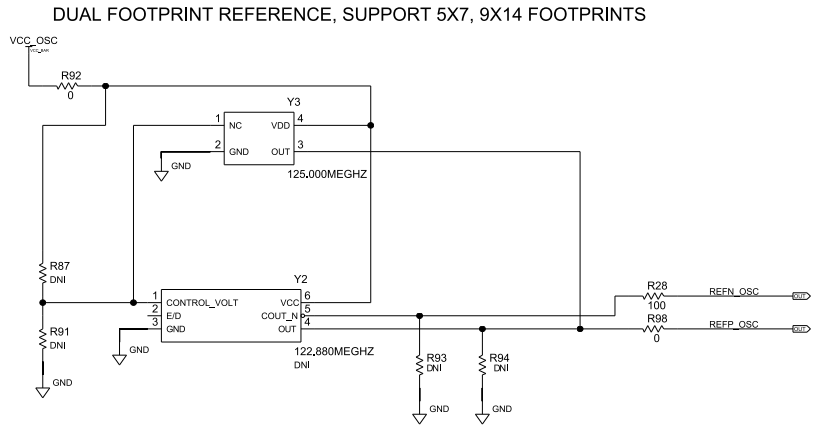


Figure 9. EV-ADF4377SD1Z Schematic, On-Board Ultralow Noise Oscillator and Calibration Path

EVALUATION BOARD SCHEMATIC AND ARTWORK

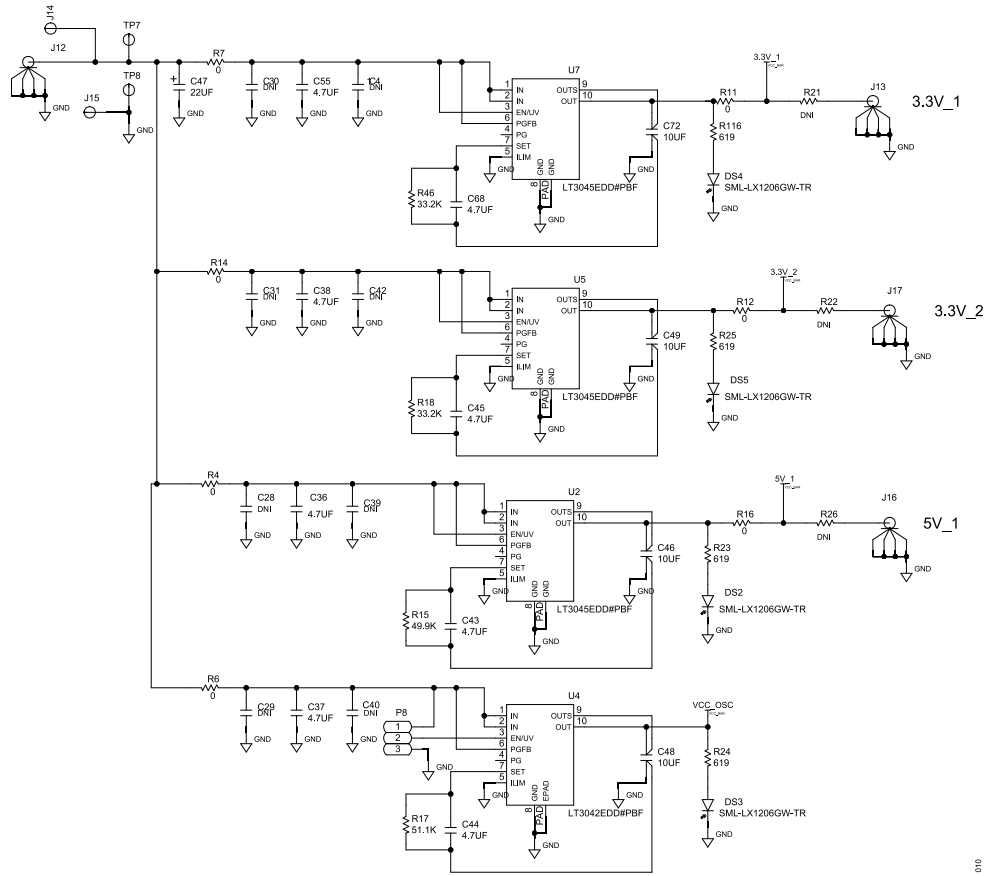


Figure 10. EV-ADF4377SD1Z Schematic, LDO Regulators

EVALUATION BOARD SCHEMATIC AND ARTWORK

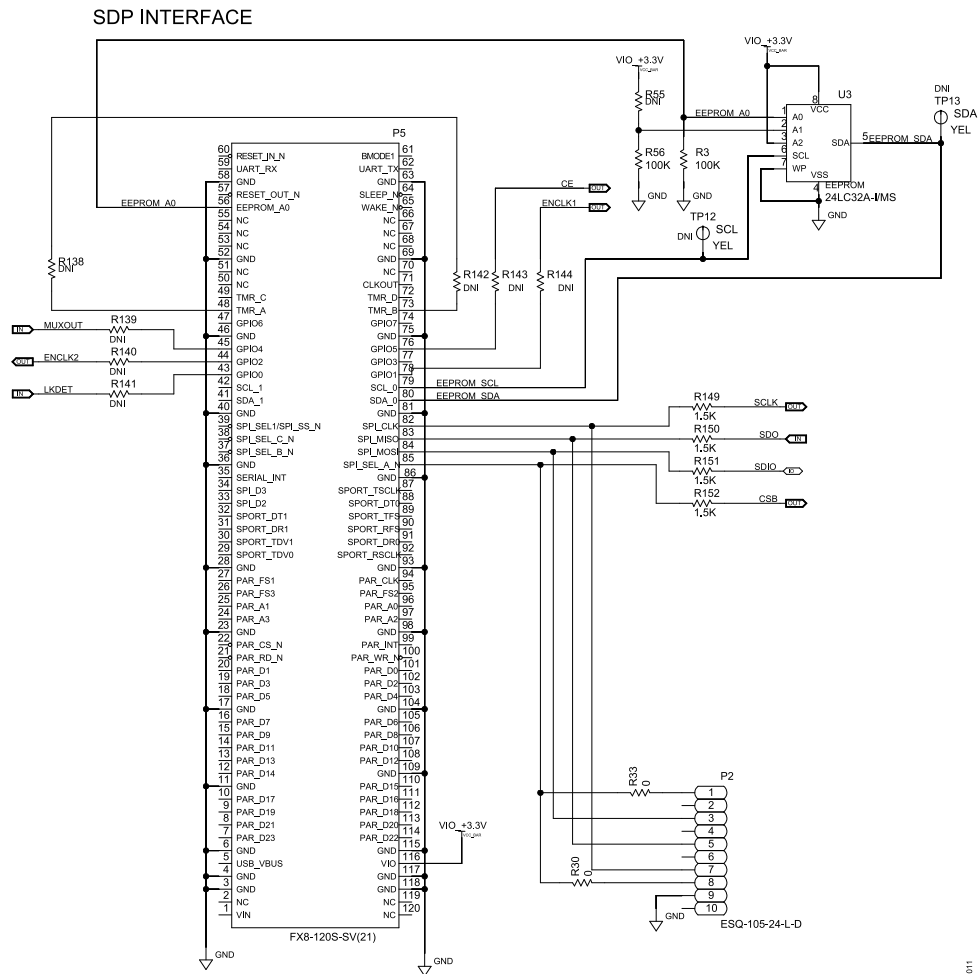


Figure 11. EV-ADF4377SD1Z Schematic, SDP Interface

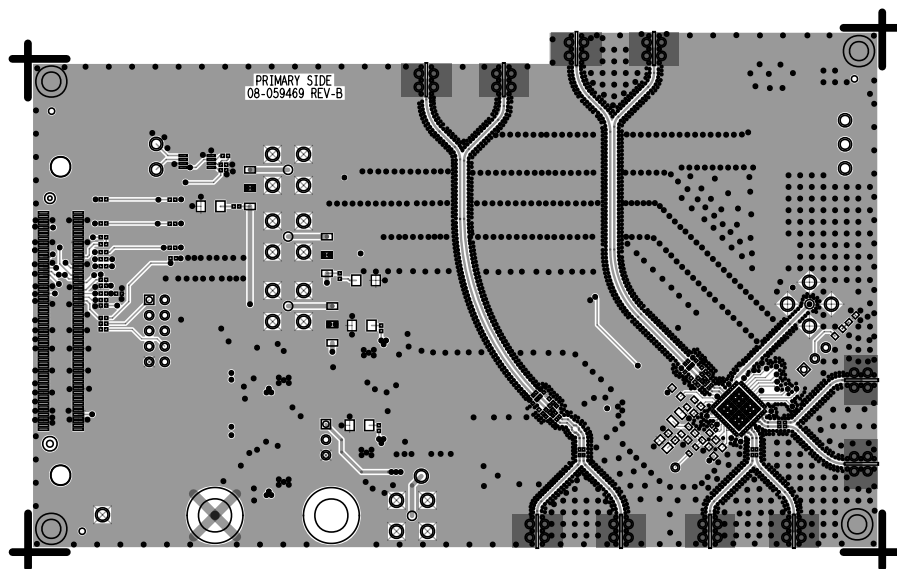


Figure 12. EV-ADF4377SD1Z Layer 1, Primary

EVALUATION BOARD SCHEMATIC AND ARTWORK

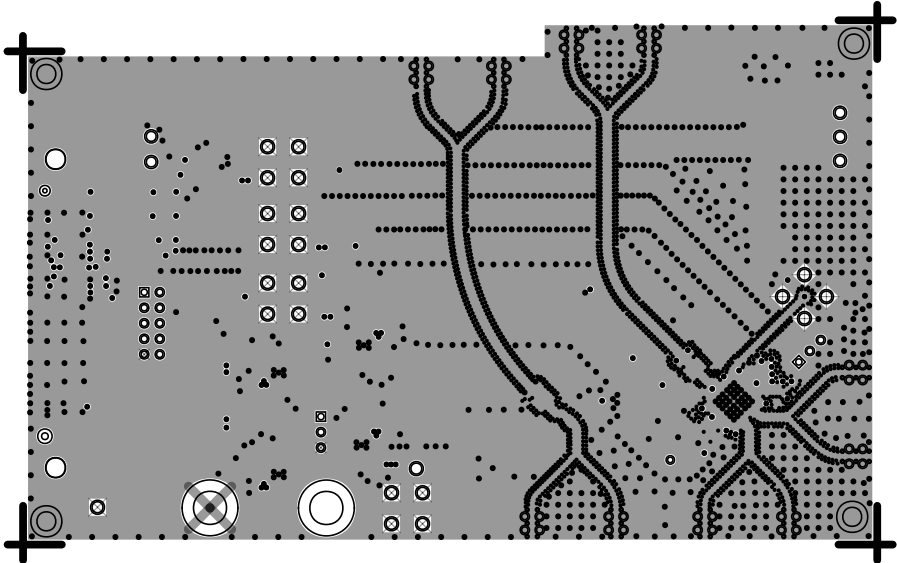


Figure 13. EV-ADF4377SD1Z Layer 2, Ground

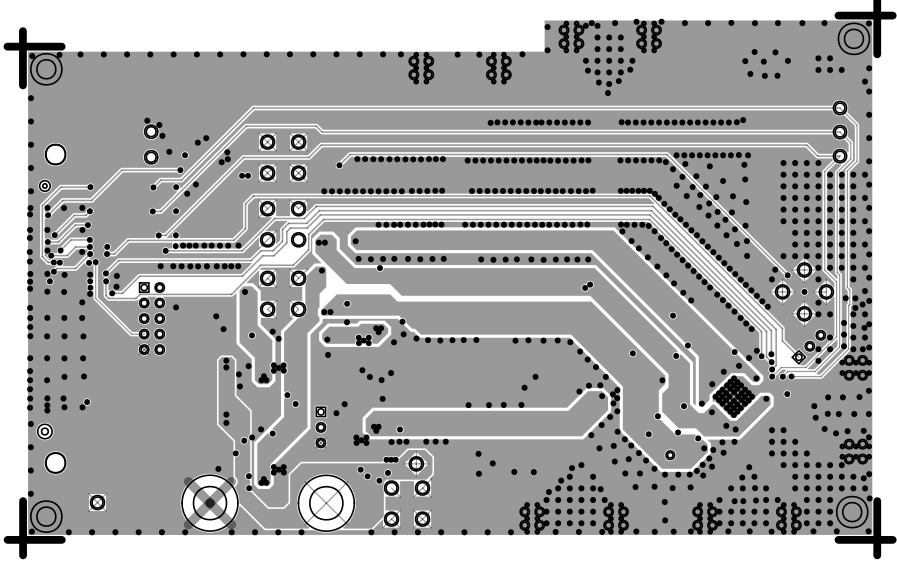


Figure 14. EV-ADF4377SD1Z Layer 3, Power

EVALUATION BOARD SCHEMATIC AND ARTWORK

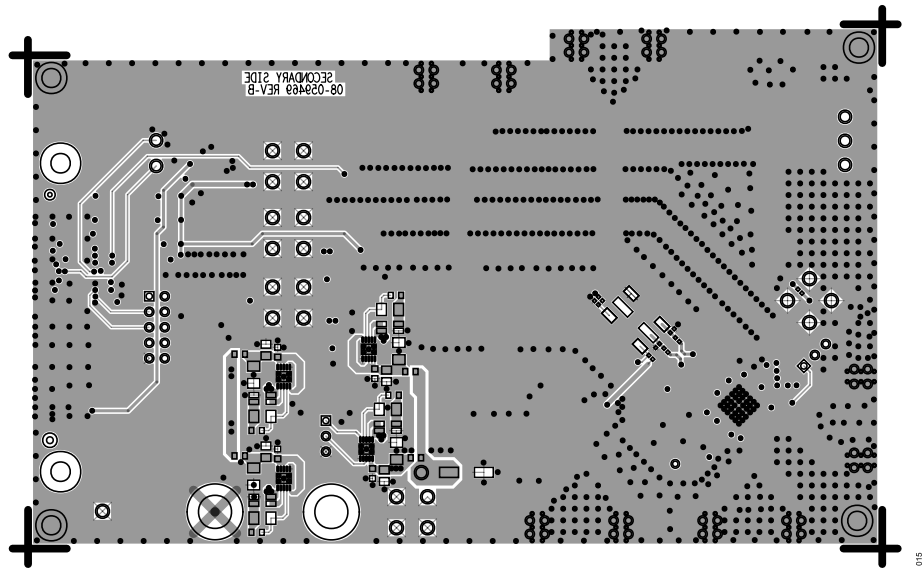


Figure 15. EV-ADF4377SD1Z Layer 4, Secondary

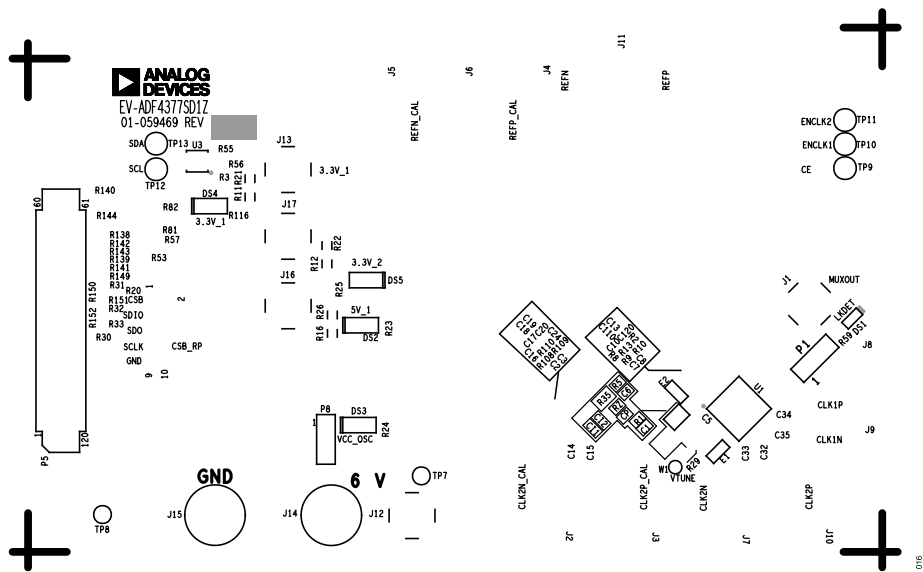


Figure 16. EV-ADF4377SD1Z Silkscreen, Top Side

EVALUATION BOARD SCHEMATIC AND ARTWORK

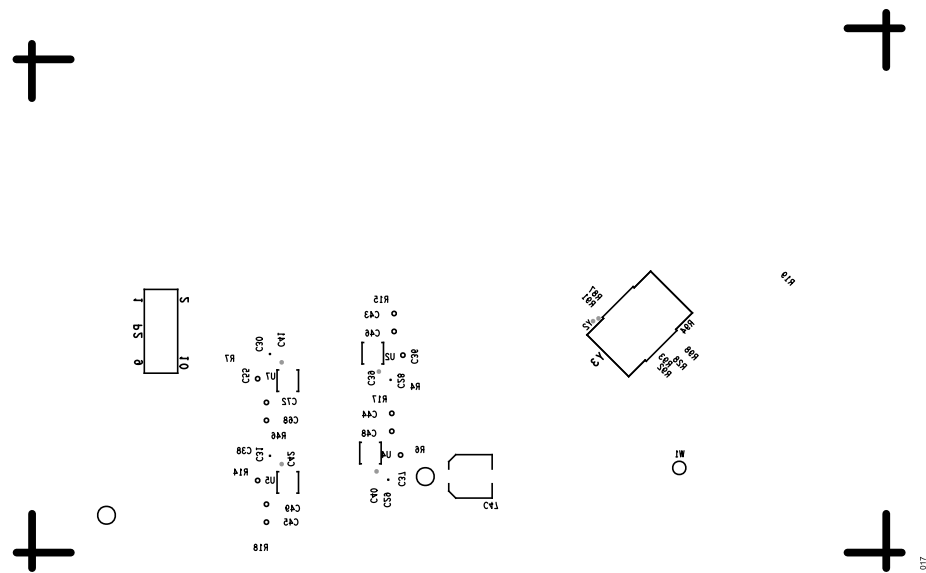


Figure 17. EV-ADF4377SD1Z Silkscreen, Bottom Side



## ORDERING INFORMATION

## BILL OF MATERIALS

Qty	Reference Designator	Description	Manufacturer	Part Number
1	C1	Capacitor, 220 pF, 100 V, 5% C0G 0603	KEMET	C0603C221J1GACTU
7	C2, C3, C7, C8, C18, C19, C120	Capacitor, 1 $\mu$ F, 6.3 V, 10% X7R 0402	MURATA	GRM155R70J105KA12D
8	C14, C15, C16, C24, C32, C33, C34, C35	Capacitor, 0.1 $\mu$ F, 16 V, 10% X7R 0402	KEMET	C0402C104K4RACTU
8	C36, C37, C38, C43, C44, C45, C55, C68	Capacitor, 4.7 $\mu$ F, 25 V 10% X7R 1206	KEMET	C1206C475K3RACTU
4	C46, C48, C49, C72	Capacitor X7R, 4 pins footprint	TAIYO YUDEN	GMK316AB7106KL-TR
1	C47	Aluminum electrolytic capacitor, 22 $\mu$ F, 63 V, 20%, 6.3 mm $\times$ 7.7 mm AEC-Q200	SUN ELECTRONIC IND.CORP.	63CE22BSA
1	C6	Capacitor, 100 pF, 50 V, 5% C0G 0603 AEC-Q200, low ESR	TDK	CGA3E2C0G1H101J080AA
1	CI1	Capacitor, 0.015 $\mu$ F, 50 V 5% C0G 0805	MURATA	GRM2195C1H153JA01D
1	DS1	LED red surface mount	ROHM	SML-310LTT86
4	DS2, DS3, DS4, DS5	LED green surface mount	LUMEX	SML-LX1206GW-TR
2	E1, E2	Ferrite bead	TAIYO YUDEN	FBMH1608HL601-T
5	J1, J12, J13, J16, J17	SMA jack, 50 $\Omega$ , contact center surface mount with thru hole legs	AMPHENOL RF	132134-15
10	J2, J3, J4, J5, J6, J7, J8, J9, J10, J11	SMA edge mount	EMERSON NETWORK POWER	142-0761-811
2	J14, J15	Banana jack	KEYSTONE ELECTRONICS	575-4
2	P1, P8	3-position male header, 2.54 mm pitch	SAMTEC INC.	TSW-103-08-T-S
1	P2	10-position female header, 2.54 mm pitch	SAMTEC INC.	ESQ-105-24-L-D
1	P5	SDP-S connector	HRS	FX8-120S-SV(21)
6	R1, R4, R6, R7, R14, R29	Resistor, 0 $\Omega$ jumper, 1/10 W, 0603 AEC-Q200	PANASONIC	ERJ-3GEY0R00V
1	R10	Resistor, 49.9 $\Omega$ , 1%, 1/10 W 0402 AEC-Q200	PANASONIC	ERJ-2RK49R9X
3	R11, R12, R16	Resistor, 0 $\Omega$ , 5%, 1/4 W 1206 AEC-Q200	VISHAY	CRCW1206000Z0EA
4	R23, R24, R25, R116	Resistor, 619 $\Omega$ , 1%, 1/10 W 0402 AEC-Q200	PANASONIC	ERJ-2RK6190X
4	R149, R150, R151, R152	Resistor, 1.5 k $\Omega$ , 1%, 1/16 W 0402 AEC-Q200	STACKPOLE ELECTRONICS, INC.	RMCF0402FT1K50
1	R15	Resistor, 49.9 k $\Omega$ , 1%, 1/10 W 0603 AEC-Q200	PANASONIC	ERJ-3EKF4992V
1	R17	Resistor, 51.1 k $\Omega$ , 1%, 1/10 W 0603 AEC-Q200	PANASONIC	ERJ-3EKF5112V
2	R18, R46	Resistor, 33.2 k $\Omega$ , 1%, 1/10 W 0603 AEC-Q200	PANASONIC	ERJ-3EKF3322V
7	R2, R8, R9, R30, R33, R92, R98	Resistor, 0 $\Omega$ jumper, 1/10 W 0402 AEC-Q200	PANASONIC	ERJ-2GE0R00X
7	R20, R31, R32, R53, R57, R81, R82	Resistor, 200 k $\Omega$ , 1%, 1/10 W 0402 AEC-Q200	PANASONIC	ERJ-2RK2003X
1	R28	Resistor, 100 $\Omega$ , 1%, 1/10 W 0402 AEC-Q200	PANASONIC	ERJ-2RK1000X
2	R3, R56	Resistor, 100 k $\Omega$ , 1%, 1/10 W 0402 AEC-Q200	PANASONIC	ERJ-2RK1003X
1	R35	Inductor unshielded wirewound 2.2 $\mu$ H, 5%, 7.9 MHz, 0.365 A, 1.28 $\Omega$ , 0805 AEC-Q200	COILCRAFT INC.	0805LS-222XJLB
1	R5	Resistor, 100 $\Omega$ , 1%, 1/10 W 0603 AEC-Q200	PANASONIC	ERJ-3EKF1000V
1	R59	Resistor, 620 $\Omega$ , 1%, 1/10 W 0603 AEC-Q200	PANASONIC	ERJ-3EKF6200V

## ORDERING INFORMATION

Qty	Reference Designator	Description	Manufacturer	Part Number
1	RZ	Resistor, 143 Ω, 1%, 1/10 W 0603 AEC-Q200	PANASONIC	ERJ-3EKF1430V
3	TP9, TP10, TP11	Test point, yellow	COMPONENTS CORPORATION	TP-104-01-04
2	TP7, TP8	Solder terminal turrets for clip leads	MILL-MAX	2308-2-00-80-00-00-07-0
1	U1	Microwave wideband synthesizer with integrated VCO	ANALOG DEVICES	<a href="#">ADF4377BCCZ</a>
3	U2, U5, U7	20 V, 500 mA, ultralow noise, ultrahigh power supply rejection ratio (PSRR) linear regulator	LINEAR TECHNOLOGY	<a href="#">LT3045EDD#PBF</a>
1	U3	IC 32 kb serial electronically erasable programmable read-only memory (EEPROM)	MICROCHIP TECHNOLOGY	24LC32A-I/MS
1	U4	20 V, 200 mA, ultralow noise, ultrahigh PSRR RF linear regulator	ANALOG DEVICES	<a href="#">LT3042EDD#PBF</a>
1	Y3	Crystal oscillator, ultralow noise sinewave clock oscillator	CRYSTEK CORP.	CCSS-945X-25-125.000

**ESD Caution**

**ESD (electrostatic discharge) sensitive device.** Charged devices and circuit boards can discharge without detection. Although this product features patented or proprietary protection circuitry, damage may occur on devices subjected to high energy ESD. Therefore, proper ESD precautions should be taken to avoid performance degradation or loss of functionality.

**Legal Terms and Conditions**

By using the evaluation board discussed herein (together with any tools, components documentation or support materials, the "Evaluation Board"), you are agreeing to be bound by the terms and conditions set forth below ("Agreement") unless you have purchased the Evaluation Board, in which case the Analog Devices Standard Terms and Conditions of Sale shall govern. Do not use the Evaluation Board until you have read and agreed to the Agreement. Your use of the Evaluation Board shall signify your acceptance of the Agreement. This Agreement is made by and between you ("Customer") and Analog Devices, Inc. ("ADI"), with its principal place of business at Subject to the terms and conditions of the Agreement, ADI hereby grants to Customer a free, limited, personal, temporary, non-exclusive, non-sublicensable, non-transferable license to use the Evaluation Board FOR EVALUATION PURPOSES ONLY. Customer understands and agrees that the Evaluation Board is provided for the sole and exclusive purpose referenced above, and agrees not to use the Evaluation Board for any other purpose. Furthermore, the license granted is expressly made subject to the following additional limitations: Customer shall not (i) rent, lease, display, sell, transfer, assign, sublicense, or distribute the Evaluation Board; and (ii) permit any Third Party to access the Evaluation Board. As used herein, the term "Third Party" includes any entity other than ADI, Customer, their employees, affiliates and in-house consultants. The Evaluation Board is NOT sold to Customer; all rights not expressly granted herein, including ownership of the Evaluation Board, are reserved by ADI. CONFIDENTIALITY. This Agreement and the Evaluation Board shall all be considered the confidential and proprietary information of ADI. Customer may not disclose or transfer any portion of the Evaluation Board to any other party for any reason. Upon discontinuation of use of the Evaluation Board or termination of this Agreement, Customer agrees to promptly return the Evaluation Board to ADI. ADDITIONAL RESTRICTIONS. Customer may not disassemble, decompile or reverse engineer chips on the Evaluation Board. Customer shall inform ADI of any occurred damages or any modifications or alterations it makes to the Evaluation Board, including but not limited to soldering or any other activity that affects the material content of the Evaluation Board. Modifications to the Evaluation Board must comply with applicable law, including but not limited to the RoHS Directive. TERMINATION. ADI may terminate this Agreement at any time upon giving written notice to Customer. Customer agrees to return to ADI the Evaluation Board at that time. LIMITATION OF LIABILITY. THE EVALUATION BOARD PROVIDED HEREUNDER IS PROVIDED "AS IS" AND ADI MAKES NO WARRANTIES OR REPRESENTATIONS OF ANY KIND WITH RESPECT TO IT. ADI SPECIFICALLY DISCLAIMS ANY REPRESENTATIONS, ENDORSEMENTS, GUARANTEES, OR WARRANTIES, EXPRESS OR IMPLIED, RELATED TO THE EVALUATION BOARD INCLUDING, BUT NOT LIMITED TO, THE IMPLIED WARRANTY OF MERCHANTABILITY, TITLE, FITNESS FOR A PARTICULAR PURPOSE OR NON-INFRINGEMENT OF INTELLECTUAL PROPERTY RIGHTS. IN NO EVENT WILL ADI AND ITS LICENSORS BE LIABLE FOR ANY INCIDENTAL, SPECIAL, INDIRECT, OR CONSEQUENTIAL DAMAGES RESULTING FROM CUSTOMER'S POSSESSION OR USE OF THE EVALUATION BOARD, INCLUDING BUT NOT LIMITED TO LOST PROFITS, DELAY COSTS, LABOR COSTS OR LOSS OF GOODWILL. ADI'S TOTAL LIABILITY FROM ANY AND ALL CAUSES SHALL BE LIMITED TO THE AMOUNT OF ONE HUNDRED US DOLLARS (\$100.00). EXPORT. Customer agrees that it will not directly or indirectly export the Evaluation Board to another country, and that it will comply with all applicable United States federal laws and regulations relating to exports. GOVERNING LAW. This Agreement shall be governed by and construed in accordance with the substantive laws of the Commonwealth of Massachusetts (excluding conflict of law rules). Any legal action regarding this Agreement will be heard in the state or federal courts having jurisdiction in Suffolk County, Massachusetts, and Customer hereby submits to the personal jurisdiction and venue of such courts. The United Nations Convention on Contracts for the International Sale of Goods shall not apply to this Agreement and is expressly disclaimed.

