

LTM4660

High Efficiency, PolyPhase 50A Hybrid Step-Down Power μ Module Regulator 2x LTM4660, 50A

DESCRIPTION

Demonstration circuit 2959A-A is a high efficiency, high power density hybrid step-down converter. It can deliver 12V/50A with an input voltage from 36V to 60V (up to 65V during transients). This demo board features PolyPhase[®] design using the LTM[®]4660, which uses an architecture that merges soft-switching switched capacitor topology with a traditional step-down converter to provide superior efficiency compared to the traditional switching architectures. It offers a high efficiency/high density and cost-effective solution for nonisolated intermediate bus applications in power distribution, datacom, and telecom.

The LTM4660 on DC2959A-A always operates in continuous conduction mode. The switching frequency can be programmed through a resistor or can be synchronized to an external clock signal. Due to its current mode control architecture, excellent current sharing and low output

voltage ripple are achievable in the multiphase configuration. Other benefits include low EMI emissions due to a soft-switched front end and reduced MOSFET stress.

The LTM4660 monitors system voltage, current, and temperature for faults. It stops switching and pulls the FAULT pin low when a fault condition occurs. An onboard timer can be set for appropriate restart/retry times. Additional features include $\pm 1.5\%$ output voltage accuracy over temperature, a power good output signal, short-circuit protection, monotonic output voltage start-up, optional external reference, undervoltage lockout, and internal charge balance circuitry.

The LTM4660 data sheet must be used in conjunction with this demo board manual.

Design files for this circuit board are available.

All registered trademarks and trademarks are the property of their respective owners.

BOARD PHOTO Part marking is either ink mark or laser mark

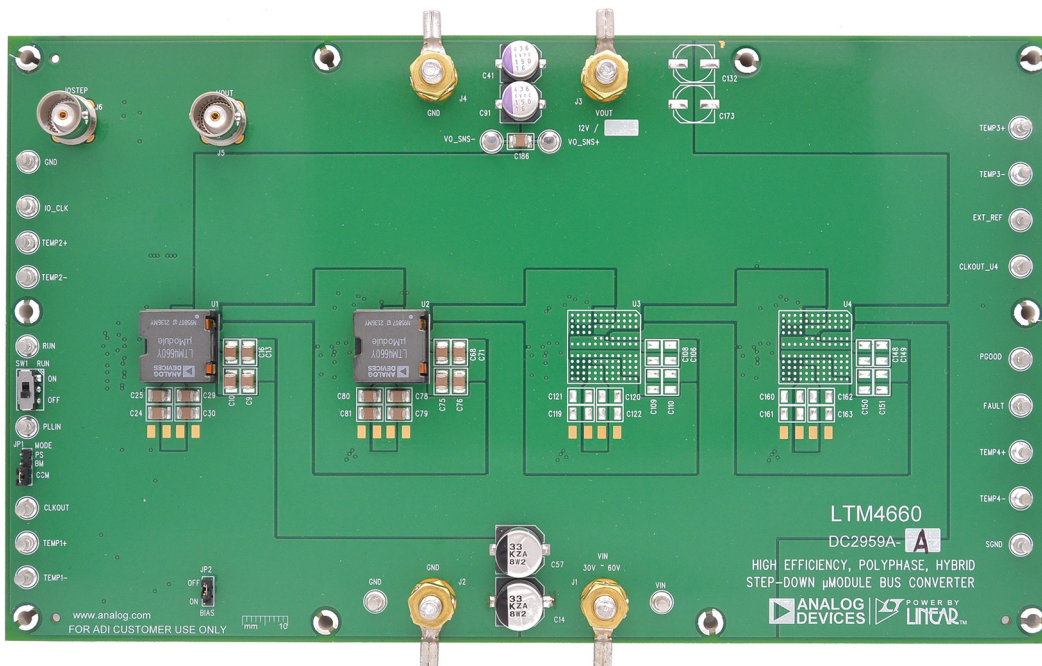


Figure 1. LTM4660/DC2959A-A Demo Circuit

PERFORMANCE SUMMARY Specifications are at $T_A = 25^\circ\text{C}$

PARAMETER	CONDITIONS	MIN	TYP	MAX	UNITS
Input Voltage Range, V_{IN}		36		60	V
Output Voltage, V_{OUT}	$V_{IN} = 36\text{V to }60\text{V}$, $I_{OUT} = 0\text{A to }50\text{A}$			12	V
Maximum Output Current, I_{OUT}	$V_{IN} = 36\text{V to }60\text{V}$, $V_{OUT} = 12\text{V}$			50	A
Typical Efficiency	$V_{IN} = 48\text{V}$, $V_{OUT} = 12\text{V}$, $I_{OUT} = 50\text{A}$		96.9		%
Peak Efficiency	$V_{IN} = 48\text{V}$, $V_{OUT} = 12\text{V}$		97.3		%
Default Switching Frequency (at Start-Up)			350		kHz

QUICK START PROCEDURE

Demonstration circuit 2959A-A is easy to set up to evaluate the performance of PolyPhase operation of the LTM4660. Due to the high input/output current, users should select the proper input supply/load/cable which can sustain the full load operation. See Figure 2 for the proper measurement equipment setup and follow the procedure below.

1. With power off, connect the input power supply to V_{IN} (36V to 60V) and GND (input return).
2. Connect the output load between V_{OUT} and GND (Initial load: no load). See Figure 2.
3. Connect the DVMs to the input and output.
4. Check the default jumper/switch position:
SW1 (RUN): OFF
5. Turn on the input power supply and adjust the input voltage to 48V.

NOTE: Make sure that the input voltage does not exceed 60V.
6. Turn on the switches: SW1: ON.
7. Check for the proper output voltages from $VO_{_}SNS+$ to $VO_{_}SNS-$.
8. Once the proper output voltage is established, adjust the load within the operating range and measure the efficiency, output ripple voltage, and other items.
9. After completing all tests, adjust the load to 0A and power off the input power supply.

Notes

1. When measuring the output or input voltage ripple, do not use the long ground lead on the oscilloscope probe. See Figure 3 for the proper scope probe technique. Short, stiff leads need to be soldered to the (+) and (-) terminals of an output capacitor. The probe's ground ring needs to touch the (-) lead and the probe tip needs to touch the (+) lead.
2. When doing the load step test with the onboard dynamic load circuit, make sure the load step-up pulse duty cycle does not exceed 2% and the pulse duration is less than 500 μs so that the temperature of the MOSFETs Q11 and Q12 in the dynamic load circuit stays in the safe region. Instead of using the onboard dynamic load circuit, an electric load can also be used for the load step test, which does not have the 2% max duty cycle limit for the load step.
3. The $EXTV_{CC}$ pin is connected by default to V_{OUT} , through a jumper R3. Remove R3 before applying an external voltage to the $EXTV_{CC}$ pin.
4. Due to the feature of the controller inside LTM4660, it is normal to see increased switching frequency after long-time running, as higher temperature leads to higher switching frequency.

QUICK START PROCEDURE

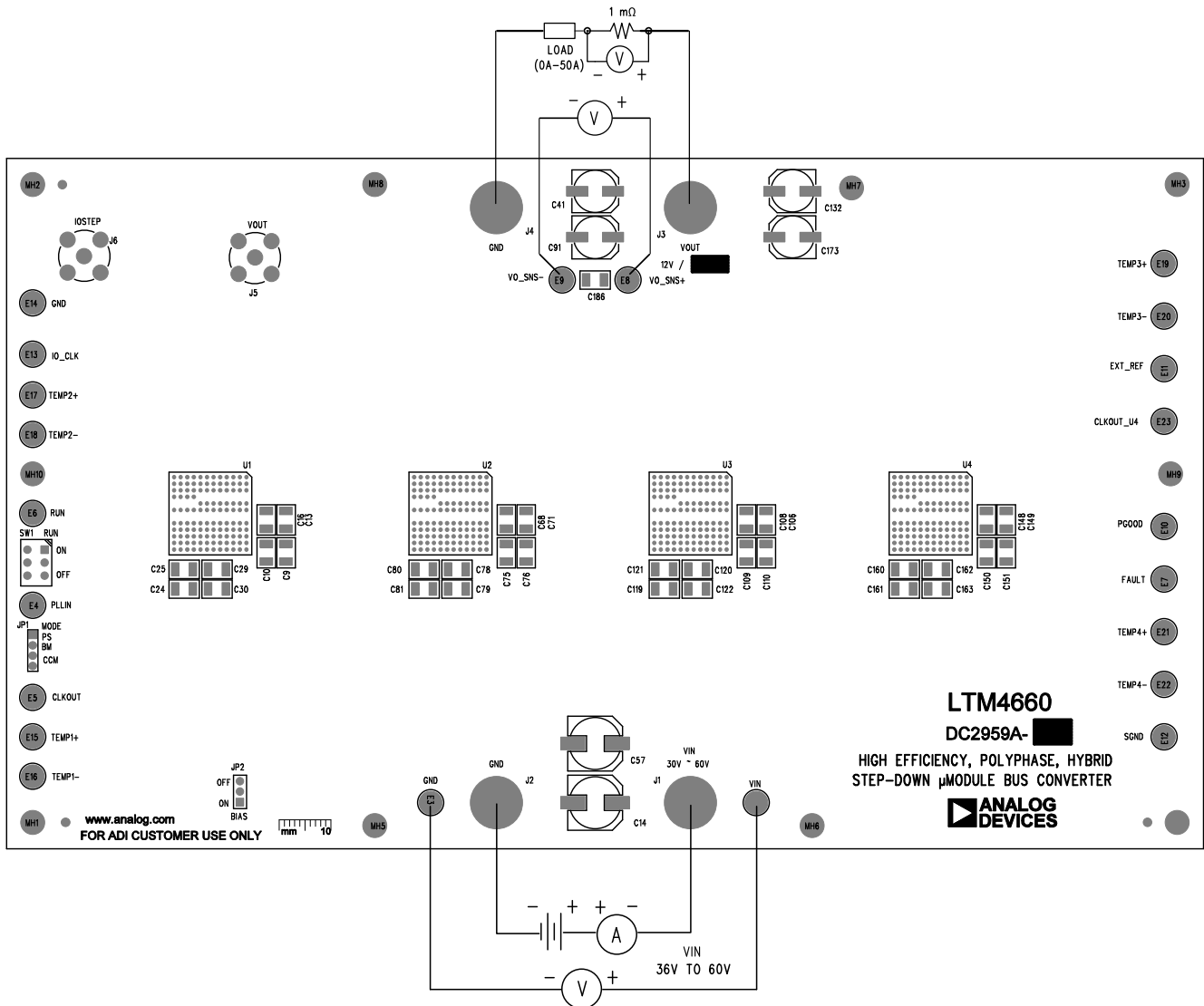


Figure 2. Proper Measurement Equipment Setup

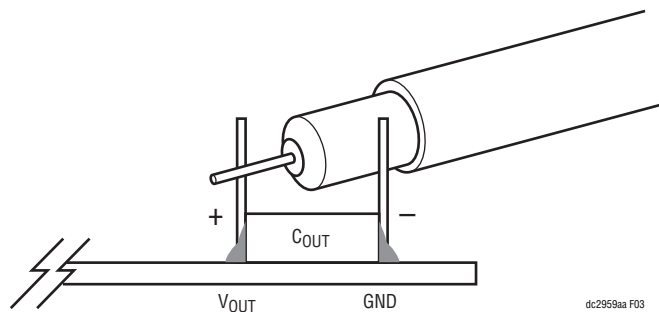


Figure 3. Measuring Output Voltage Ripple

TYPICAL PERFORMANCE CHARACTERISTICS

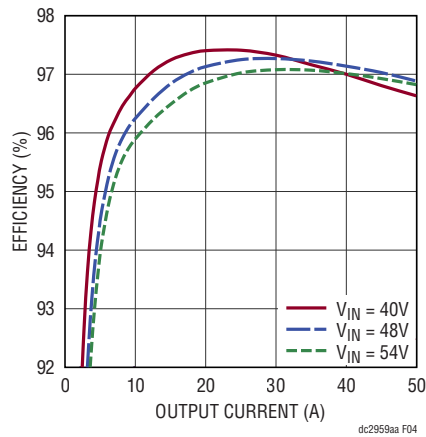


Figure 4. Efficiency vs Load Current at $V_{OUT} = 12V$, $f_{SW} = 350kHz$

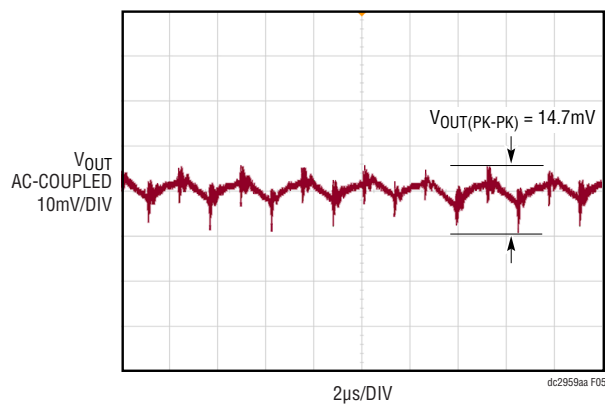


Figure 5. Output Voltage Ripple at $V_{IN} = 48V$, $V_{OUT} = 12V$, $I_{OUT} = 50A$, $f_{SW} = 350kHz$

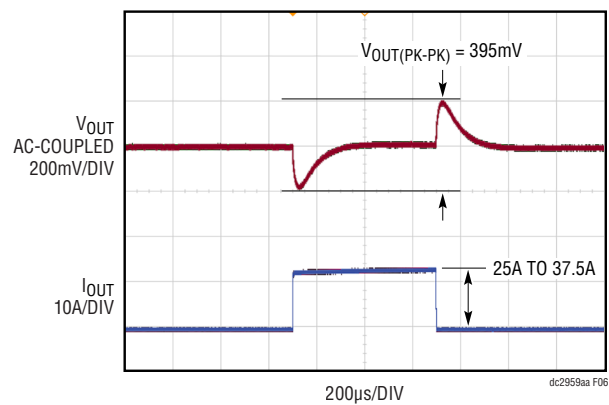


Figure 6. Load Step at $V_{IN} = 48V$, $V_{OUT} = 12V$, $f_{SW} = 350kHz$

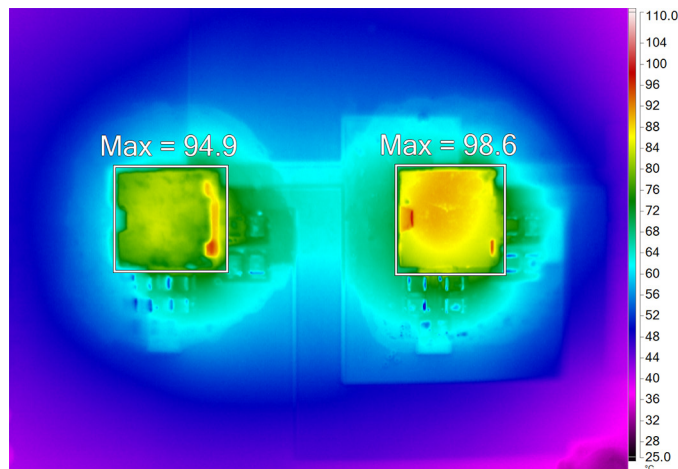


Figure 7. Thermal Performance $V_{IN} = 48V$, $V_{OUT} = 12V$, $I_{OUT} = 50A$, $f_{SW} = 400kHz$, $T_A = 25^\circ C$, 200LFM, No Heatsink

PARTS LIST

ITEM	QTY	REFERENCE	PART DESCRIPTION	MANUFACTURER/PART NUMBER
Required Circuit Components				
1	26	C1-C5, C15, C46, C47, C58-C63, C98-C103, C139-C144	CAP., 2.2 μ F, X7R, 100V, 10%, 1210	AVX, 12101C225KAT2A TDK, C3225X7R2A225K230AB MURATA, GRM32DR72A225KA12K; GRM32DR72A225KA12L
2	8	C6, C22, C64, C77, C104, C118, C145, C159	CAP., 2.2 μ F, X7R, 50V, 10%, 0805	AVX, 08055C225KAT2A NIC, NMC0805X7R225K50TRPLPF TDK, C2012X7R1H225K; C2012X7R1H225K125AC TAIYO YUDEN, UMK212BB7225KG-T
3	56	C7-C13, C16-C20, C23-C34, C38-C40, C65-C76, C78-C89, C93-C95, C183, C184	CAP., 10 μ F, X7S, 100V, 10%, 1210	MURATA, GRM32EC72A106KE05L
4	4	C14, C57, C97, C138	CAP., 33 μ F, ALUM. POLY. HYB., 80V, 20%, 10mm \times 10.2mm SMD, RADIAL, AEC-Q200	PANASONIC, EEHZA1K330P
5	4	C21, C90, C131, C172	CAP., 2.2 μ F, X7S, 25V, 10%, 0603	MURATA, GRM188C71E225KE11D
6	1	C36	CAP., 0.1 μ F, X7S, 100V, 10%, 0603	TAIYO YUDEN, HMK107C7104KA-T TDK, C1608X7S2A104K080AB
7	4	C41, C42, C91, C92	CAP., 150 μ F, ALUM., OS-CON, 16V, 20%, 8mm \times 6.9mm SMD, RADIAL	PANASONIC, 16SVPC150M
8	2	C49, C50	CAP., 22 μ F, X5R, 25V, 10%, 1210	KEMET, C1210C226K3PACTU MURATA, GRM32ER61E226KE15K; GRM32ER61E226KE15L SAMSUNG, CL32A226KAJNNNE TAIYO YUDEN, TMK325BJ226KM-P; TMK325BJ226KM-T AVX, 12103D226KAT2A
9	1	C51	CAP., 0.047 μ F, X7R, 25V, 10%, 0603	MURATA, GRM188R71E473KA01D NIC, NMC0603X7R473K25TRPF AVX, 06033C473KAT2A
10	1	C52	CAP., 220pF, COG, 50V, 5%, 0603	AVX, 06035A221JAT2A MURATA, GRM1885C1H221JA01D WURTH ELEKTRONIK, 885012006059
11	1	C53	CAP., 1 μ F, X7R, 25V, 10%, 0603, AEC-Q200	MURATA, GCM188R71E105KA64D TAIYO YUDEN, TMK107AB7105KAHT TDK, CGA3E1X7R1E105K080AC
12	1	L3	IND., 68 μ H, PWR, SHIELDED, 20%, 0.74A, 0.42 Ω , 2424, LPS6225	COILCRAFT, LPS6225-683MRB; LPS6225-683MRC
13	2	Q11, Q12	XSTR., MOSFET, N-CH, 40V, 14A, DPAK (TO-252)	VISHAY, SUD50N04-8M8P-4GE3
14	24	R1, R3, R9, R12, R16, R18, R26, R30, R36, R37, R40-R44, R48, R50-R53, R58, R60, R61, R65	RES., 0 Ω , 1/10W, 0603, AEC-Q200	VISHAY, CRCW06030000Z0EA; CRCW06030000Z0EB; CRCW06030000Z0EC NIC, NRC06ZOTRF
15	2	R2, R22	RES., 20k, 5%, 1/10W, 0603, AEC-Q200	NIC, NRC06J203TRF VISHAY, CRCW060320K0JNEA PANASONIC, ERJ3GEYJ203V
16	1	R4	RES., 1M, 1%, 1/8W, 0805, AEC-Q200	PANASONIC, ERJ6ENF1004V VISHAY, CRCW08051M00FKEA
17	1	R5	RES., 46.4k, 1%, 1/10W, 0603	NIC, NRC06F4642TRF VISHAY, CRCW060346K4FKEA YAGEO, RC0603FR-0746K4L
18	3	R6, R13, R24	RES., 10k, 1%, 1/10W, 0603, AEC-Q200	VISHAY, CRCW060310K0FKEA KOA SPEER, RK73H1JTTD1002F PANASONIC, ERJ3EKF1002V

DEMO MANUAL DC2959A-A

PARTS LIST

ITEM	QTY	REFERENCE	PART DESCRIPTION	MANUFACTURER/PART NUMBER
19	4	R7, R38, R45, R55	RES., 100k, 1%, 1/10W, 0603, AEC-Q200	VISHAY, CRCW0603100KFKEA NIC, NRC06F1003TRF PANASONIC, ERJ3EKF1003V YAGEO, RC0603FR-07100KL
20	4	R10, R39, R46, R56	RES., 49.9k, 1%, 1/10W, 0603	NIC, NRC06F4992TRF VISHAY, CRCW060349K9FKEA YAGEO, RC0603FR-0749K9L
21	1	R19	RES., 2.15k, 1%, 1/10W, 0603	YAGEO, 9C06031A2151FKHFT; RC0603FR-072K15L
22	1	R21	RES., 182k, 1%, 1/10W, 0603, AEC-Q200	PANASONIC, ERJ3EKF1823V VISHAY, CRCW0603182KFKEA
23	1	R23	RES., 80.6k, 1%, 1/10W, 0603	VISHAY, CRCW060380K6FKEA NIC, NRC06F8062TRF YAGEO, RC0603FR-0780K6L
24	1	R25	RES., 0.1 Ω , 1%, 1W, 2010, WSL-18 SERIES, SENSE, AEC-Q200	VISHAY, WSL2010R1000FEA18
25	1	R62	RES., 50 Ω , 0.1%, 1/8W, 0603	VISHAY, FC0603E50R0BST1
26	2	U1, U2	IC, HYBRID STEP-DOWN NONISOLATED μ Module [®] BUS CONVERTER, BGA	ANALOG DEVICES, LTM4660IY#PBF
27	1	U5	IC, SYNCHR. STEP-DOWN CONVERTER, MSOP-16 (MSE), 76V, 500mA	ANALOG DEVICES, LTC3630AEMSE#PBF; LTC3630AEMSE#TRPBF

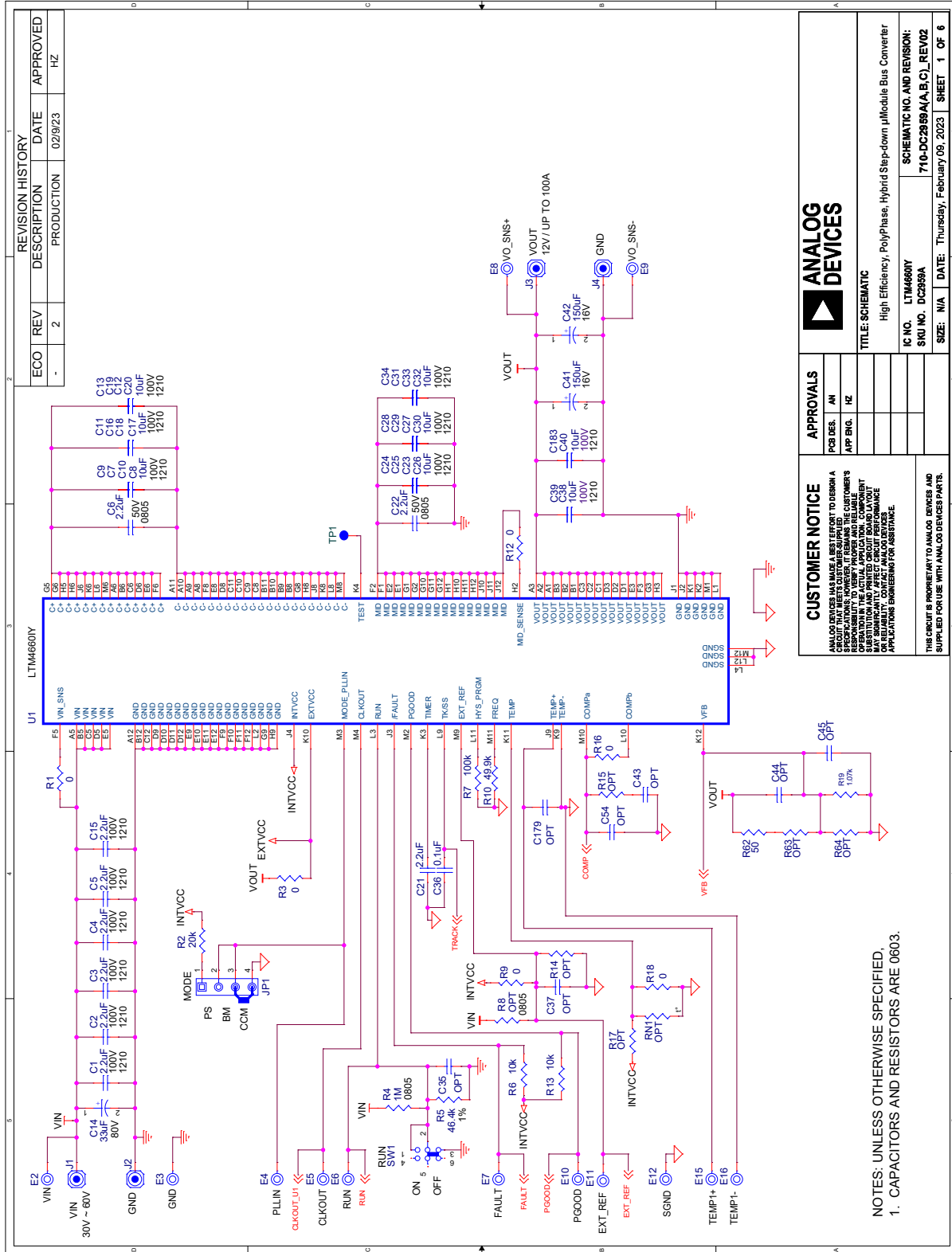
Additional Demo Board Circuit Components

1	0	C105-C116, C119-C130, C134-C136, C146-C157, C160-C171, C175-C177, C185, C186	CAP, OPTION, 1210	
2	0	C35, C37, C43-C45, C48, C54, C96, C137, C178-C182	CAP, OPTION, 0603	
3	0	C132, C133, C173, C174	CAP, OPTION, ALUM. ELECT., SMD	
4	0	R8	RES., OPTION, 0805	
5	0	R14, R15, R17, R20, R29, R47, R57, R63, R64	RES., OPTION, 0603	
6	0	RN1, RN2, RN3, RN4	THERMISTOR, OPTION, 0603	

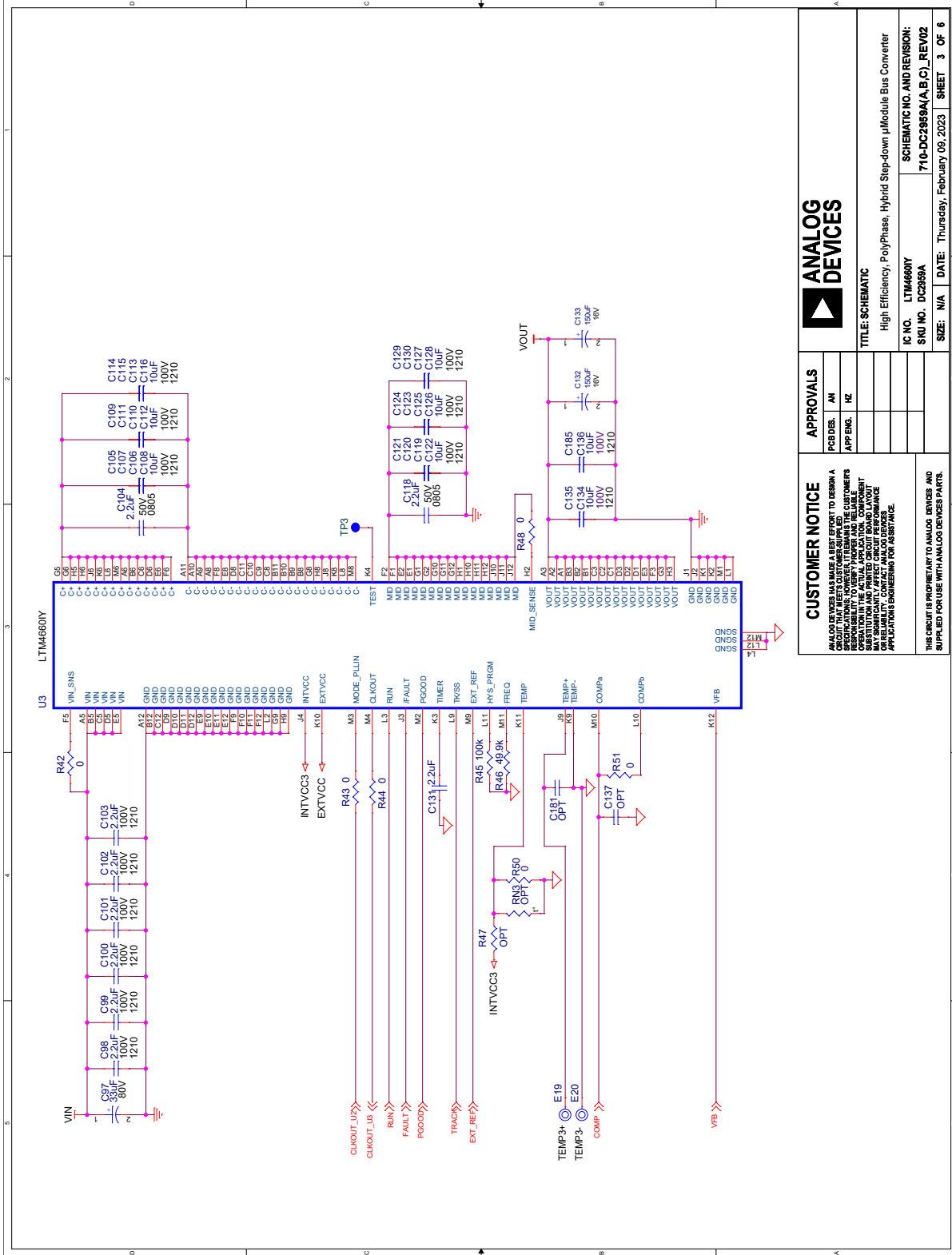
Hardware: For Demo Board Only

1	22	E2-E23	TEST POINT, TURRET, 0.094" MTG. HOLE, PCB 0.062" THK	MILL-MAX, 2501-2-00-80-00-00-07-0
2	4	J1-J4	EVAL BOARD STUD HARDWARE SET, #10-32	ANALOG DEVICES, 720-0010
3	2	J5, J6	CONN., RF, BNC, RCPT, JACK, 5-PIN, ST, THT, 50 Ω	AMPHENOL RF, 112404
4	1	JP1	CONN., HDR, MALE, 1x4, 2mm, VERT, ST, THT	WURTH ELEKTRONIK, 62000411121
5	1	JP2	CONN., HDR, MALE, 1x3, 2mm, VERT, ST, THT, NO SUBS. ALLOWED	WURTH ELEKTRONIK, 62000311121
6	1	LB1	LABEL SPEC, DEMO BOARD SERIAL NUMBER	BRADY, THT-96-717-10
7	10	MH1-MH10	STANDOFF, NYLON, SNAP-ON, 0.625" (5/8), 15.9mm	KEYSTONE, 8834
8	1	PCB1	PCB, DC2959A	ANALOG DEVICES APPROVED SUPPLIER, 600-DC2959A
9	1	STNCL1	TOOL, STENCIL, DC2959A	ANALOG DEVICES APPROVED SUPPLIER, 830-DC2959A
10	1	SW1	SWITCH, SLIDE, DPDT, 0.3A, 6VDC, PTH	C&K, JS202011CQN
11	2	XJP1, XJP2	CONN., SHUNT, FEMALE, 2 POS, 2mm	WURTH ELEKTRONIK, 60800213421

SCHEMATIC DIAGRAM

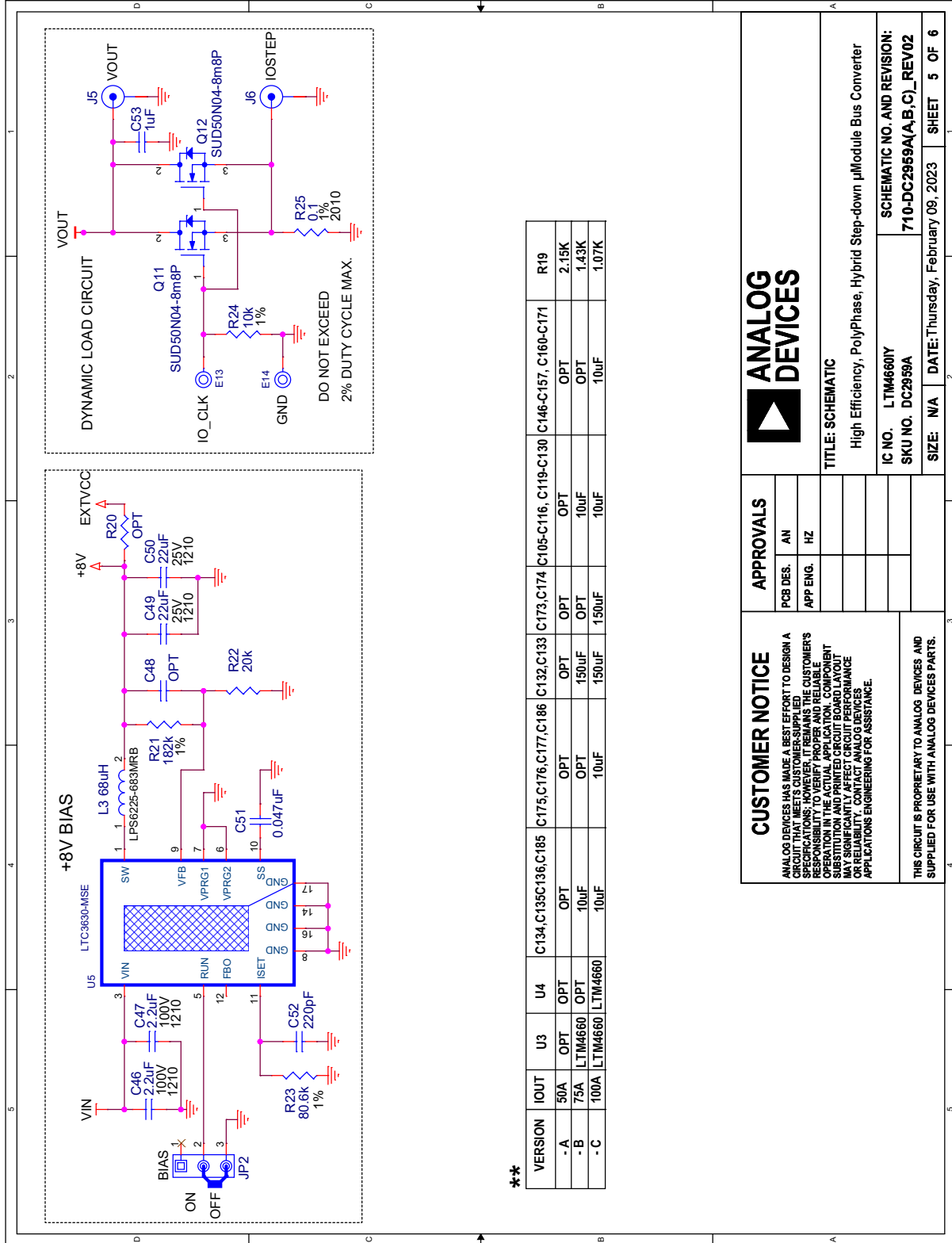


SCHEMATIC DIAGRAM



	APPROVALS	
	PCB DES: AH	APP ENG: HZ
CUSTOMER NOTICE ANALOG DEVICES HAS MADE BEST EFFORT TO DESIGN A SPECIFICATION. HOWEVER, IT REMAINS THE CUSTOMER'S RESPONSIBILITY TO VERIFY THE OPERATION OF THE COMPONENT IN THE ACTUAL APPLICATION. COMPONENT PERFORMANCE MAY VARY FROM THE SPECIFIED PERFORMANCE. CONTACT ANALOG DEVICES APPLICATION ENGINEERING FOR ASSISTANCE.		
THIS CIRCUIT IS PROPRIETARY TO ANALOG DEVICES, AND SUPPLIED FOR USE WITH ANALOG DEVICES PARTS.		
ANALOG DEVICES		
TITLE: SCHEMATIC High Efficiency, PolyPhase, Hybrid Step-down μ Module Bus Converter		
IC NO. LTM4600Y	SCHEMATIC NO. AND REVISION: 710-DC2959A(A,B,C)_REV02	
SKU NO. DC2959A	SIZE: N/A	DATE: Thursday, February 09, 2023 SHEET 3 OF 6

SCHEMATIC DIAGRAM



**

VERSION	IOUT	U3	U4	U5	U6	U7	U8	U9	U10	U11	U12	U13	U14	U15	U16	U17	U18	U19	
- A	50A	OPT	OPT	OPT	OPT	OPT	OPT	OPT	OPT	OPT	OPT	OPT	OPT	OPT	OPT	OPT	OPT	OPT	R19 2.15K
- B	75A	LTM4660	OPT	OPT	OPT	OPT	OPT	OPT	OPT	OPT	OPT	OPT	OPT	OPT	OPT	OPT	OPT	OPT	1.43K
- C	100A	LTM4660	LTM4660	OPT	OPT	OPT	OPT	OPT	OPT	OPT	OPT	OPT	OPT	OPT	OPT	OPT	OPT	OPT	1.07K

CUSTOMER NOTICE

ANALOG DEVICES HAS MADE A BEST EFFORT TO DESIGN A CIRCUIT THAT MEETS CUSTOMER-SUPPLIED SPECIFICATIONS; HOWEVER, IT REMAINS THE CUSTOMER'S RESPONSIBILITY TO VERIFY PROPER AND RELIABLE OPERATION IN THE ACTUAL APPLICATION ENVIRONMENT. OPERATION OF THE ACTUAL CIRCUIT MAY VARY FROM THAT SHOWN IN THIS SCHEMATIC. ANALOG DEVICES DOES NOT WARRANT OR GUARANTEE THE PERFORMANCE OF ANY CIRCUIT OR SYSTEM. CONTACT ANALOG DEVICES APPLICATIONS ENGINEERING FOR ASSISTANCE.

APPROVALS

PCB DES.	AN
APP ENG.	HZ

ANALOG DEVICES

High Efficiency, PolyPhase, Hybrid Step-down μ Module Bus Converter

IC NO. LTM4660Y
SKU NO. DC2959A

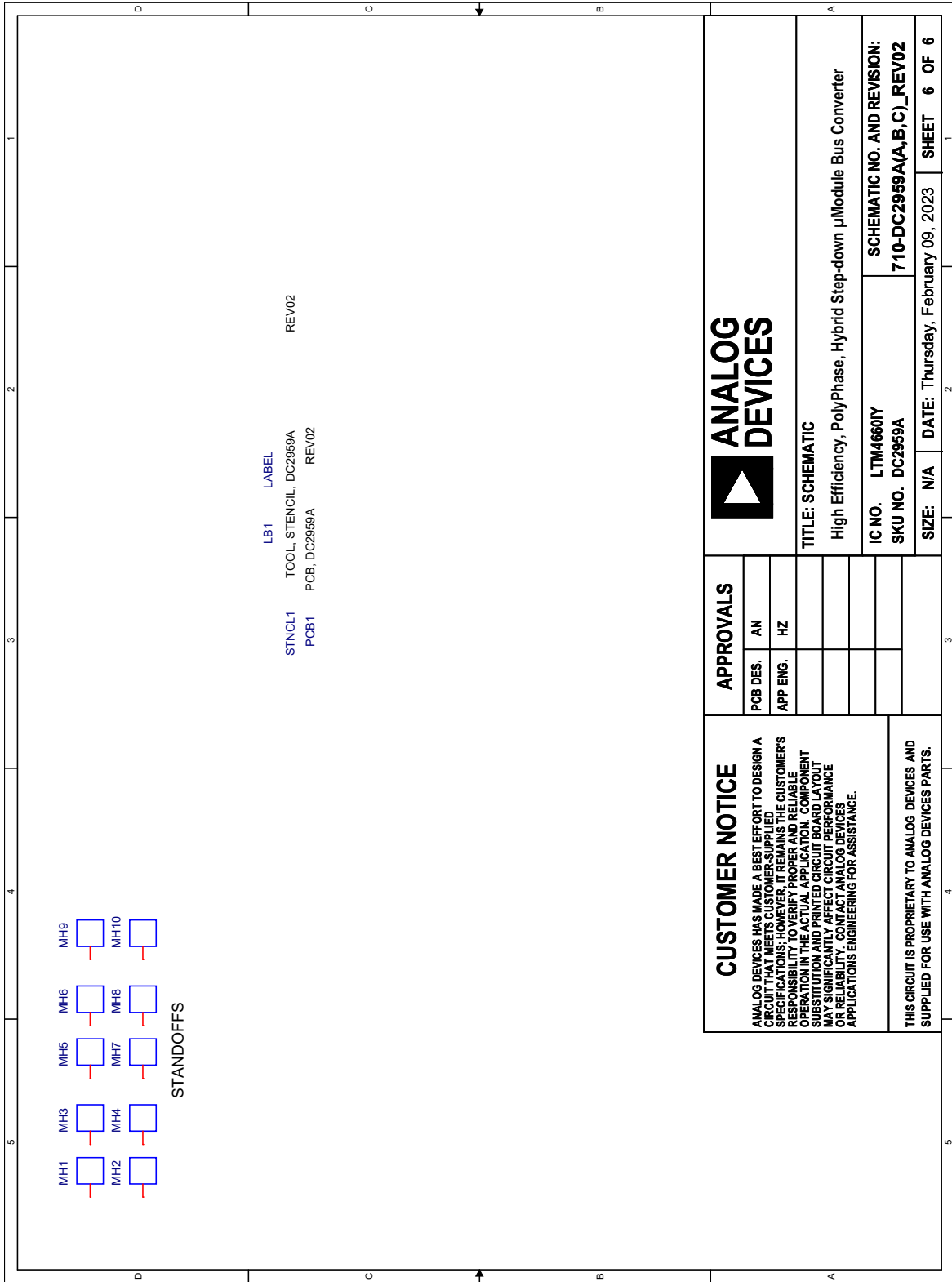
SIZE: N/A DATE: Thursday, February 09, 2023 SHEET 5 OF 6

TITLE: SCHEMATIC

SCHEMATIC NO. AND REVISION:
710-DC2959A(A,B,C)_REV02

THIS CIRCUIT IS PROPRIETARY TO ANALOG DEVICES AND SUPPLIED FOR USE WITH ANALOG DEVICES PARTS.

SCHEMATIC DIAGRAM



REVISION HISTORY

REV	DATE	DESCRIPTION	PAGE NUMBER
0	06/23	Initial Release.	—



ESD Caution

ESD (electrostatic discharge) sensitive device. Charged devices and circuit boards can discharge without detection. Although this product features patented or proprietary protection circuitry, damage may occur on devices subjected to high energy ESD. Therefore, proper ESD precautions should be taken to avoid performance degradation or loss of functionality.

Legal Terms and Conditions

By using the evaluation board discussed herein (together with any tools, components documentation or support materials, the "Evaluation Board"), you are agreeing to be bound by the terms and conditions set forth below ("Agreement") unless you have purchased the Evaluation Board, in which case the Analog Devices Standard Terms and Conditions of Sale shall govern. Do not use the Evaluation Board until you have read and agreed to the Agreement. Your use of the Evaluation Board shall signify your acceptance of the Agreement. This Agreement is made by and between you ("Customer") and Analog Devices, Inc. ("ADI"), with its principal place of business at One Technology Way, Norwood, MA 02062, USA. Subject to the terms and conditions of the Agreement, ADI hereby grants to Customer a free, limited, personal, temporary, non-exclusive, non-sublicensable, non-transferable license to use the Evaluation Board FOR EVALUATION PURPOSES ONLY. Customer understands and agrees that the Evaluation Board is provided for the sole and exclusive purpose referenced above, and agrees not to use the Evaluation Board for any other purpose. Furthermore, the license granted is expressly made subject to the following additional limitations: Customer shall not (i) rent, lease, display, sell, transfer, assign, sublicense, or distribute the Evaluation Board; and (ii) permit any Third Party to access the Evaluation Board. As used herein, the term "Third Party" includes any entity other than ADI, Customer, their employees, affiliates and in-house consultants. The Evaluation Board is NOT sold to Customer; all rights not expressly granted herein, including ownership of the Evaluation Board, are reserved by ADI. CONFIDENTIALITY. This Agreement and the Evaluation Board shall all be considered the confidential and proprietary information of ADI. Customer may not disclose or transfer any portion of the Evaluation Board to any other party for any reason. Upon discontinuation of use of the Evaluation Board or termination of this Agreement, Customer agrees to promptly return the Evaluation Board to ADI. ADDITIONAL RESTRICTIONS. Customer may not disassemble, decompile or reverse engineer chips on the Evaluation Board. Customer shall inform ADI of any occurred damages or any modifications or alterations it makes to the Evaluation Board, including but not limited to soldering or any other activity that affects the material content of the Evaluation Board. Modifications to the Evaluation Board must comply with applicable law, including but not limited to the RoHS Directive. TERMINATION. ADI may terminate this Agreement at any time upon giving written notice to Customer. Customer agrees to return to ADI the Evaluation Board at that time. LIMITATION OF LIABILITY. THE EVALUATION BOARD PROVIDED HEREUNDER IS PROVIDED "AS IS" AND ADI MAKES NO WARRANTIES OR REPRESENTATIONS OF ANY KIND WITH RESPECT TO IT. ADI SPECIFICALLY DISCLAIMS ANY REPRESENTATIONS, ENDORSEMENTS, GUARANTEES, OR WARRANTIES, EXPRESS OR IMPLIED, RELATED TO THE EVALUATION BOARD INCLUDING, BUT NOT LIMITED TO, THE IMPLIED WARRANTY OF MERCHANTABILITY, TITLE, FITNESS FOR A PARTICULAR PURPOSE OR NON-INFRINGEMENT OF INTELLECTUAL PROPERTY RIGHTS. IN NO EVENT WILL ADI AND ITS LICENSORS BE LIABLE FOR ANY INCIDENTAL, SPECIAL, INDIRECT, OR CONSEQUENTIAL DAMAGES RESULTING FROM CUSTOMER'S POSSESSION OR USE OF THE EVALUATION BOARD, INCLUDING BUT NOT LIMITED TO LOST PROFITS, DELAY COSTS, LABOR COSTS OR LOSS OF GOODWILL. ADI'S TOTAL LIABILITY FROM ANY AND ALL CAUSES SHALL BE LIMITED TO THE AMOUNT OF ONE HUNDRED US DOLLARS (\$100.00). EXPORT. Customer agrees that it will not directly or indirectly export the Evaluation Board to another country, and that it will comply with all applicable United States federal laws and regulations relating to exports. GOVERNING LAW. This Agreement shall be governed by and construed in accordance with the substantive laws of the Commonwealth of Massachusetts (excluding conflict of law rules). Any legal action regarding this Agreement will be heard in the state or federal courts having jurisdiction in Suffolk County, Massachusetts, and Customer hereby submits to the personal jurisdiction and venue of such courts. The United Nations Convention on Contracts for the International Sale of Goods shall not apply to this Agreement and is expressly disclaimed.