

# Demonstration Board DC266A

## Description

The **DC266A** board features LTC1562 and LTC1562-2 quad active RC filter building blocks.

Assembly **DC266A-A** is available with the LTC1562 in a 20-pin SSOP package for very low noise and low distortion filter applications in the frequency range 10kHz to 150kHz.

Assembly **DC266A-B** is available with the LTC1562-2 in a 20-pin SSOP package for very low noise and low distortion filter applications in the frequency range 50kHz to 300kHz.

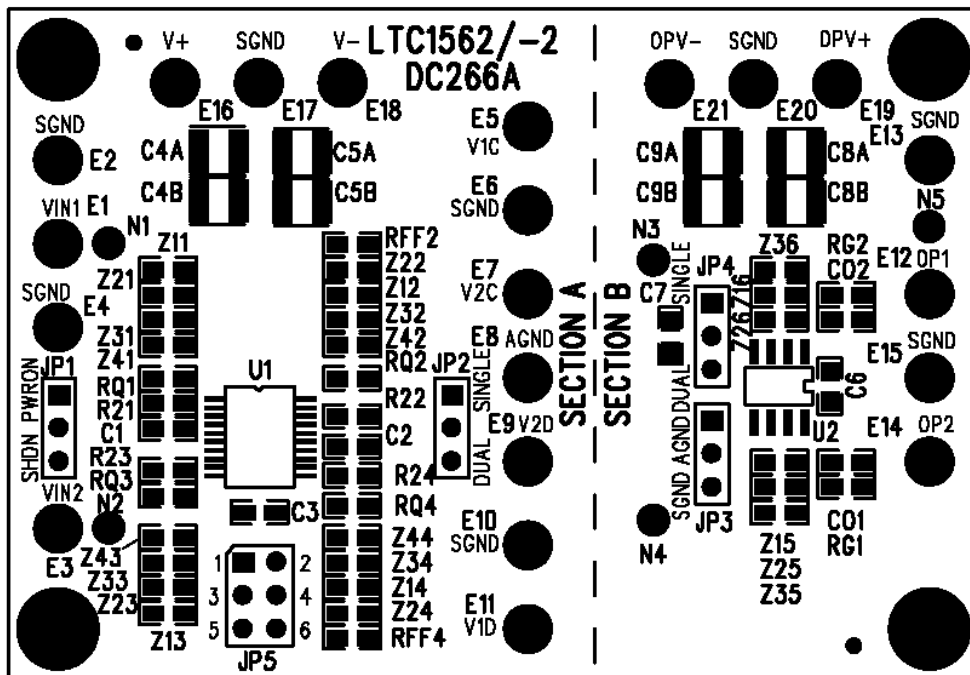
A **DC266A-A** or a **DC266A-B** board has two sections, SECTION A and SECTION B. SECTION A of a **DC266A** board is assembled with a filter IC (LTC1562 or LTC1562-2) in a 20-pin SSOP package with power supply decoupling capacitors and on the board jumpers for dual or single supply operation and power shutdown. Also provided are pads for 0805 size surface mount resistors and capacitors and terminals for filter inputs, outputs and power supply. The printed circuit layout of a **DC266A-A** or a **DC266A-B** assembly allows SECTION A to be configured as single eighth order filter or as dual fourth order filters. SECTION B of a **DC266A** board has a printed circuit layout for a dual op amp configured as two inverting summing amplifiers with a feedback capacitor.

## Applications

Single 8<sup>th</sup> order or dual 4<sup>th</sup> order low noise filters.

Frequency range 10kHz to 300kHz.

Lowpass, Bandpass, Highpass, Notch, Allpass or Arbitrary response.



TOP SILKSCREEN  
LINEAR TECHNOLOGY  
LTC1562/-2 UNIVERSAL FILTER BOARD  
DC266A\*LTC1562/-2  
DATE: 04-27-99

