

Evaluation Board for the **ADP1851** Step-Down DC-to-DC Controller

FEATURES

Input voltage range: 9 V to 15 V

Output voltage: 1.8 V

Output current: up to 25 A

Switching frequency: 600 kHz

Operates in PWM or PSM

Designed for evaluation of the **ADP1851 functionality**

Flexible and easy to re-configure and modify

EVALUATION BOARD DESCRIPTION

This document describes the design, operation, and test results of the **ADP1851-EVALZ**. The input voltage range for this evaluation board is 9 V to 15 V, and the regulated output voltage (V_{OUT}) is set to 1.8 V with the maximum output current up to 25 A. The switching frequency (f_{sw}) of 600 kHz is set to achieve high efficiency. The switching frequency can be also synchronized to an external clock signal applied to the SYNC input.

ADP1851 DEVICE DESCRIPTION

The **ADP1851** is a step-down switching controller with integrated drivers for N-channel synchronous power MOSFETs.

The **ADP1851** can be set to operate in pulse skip mode (PSM) for high efficiency under light load, or in PWM continuous conduction mode. In addition, the boost diode is integrated into the **ADP1851**, thus lowering the overall system cost and component count.

The **ADP1851** includes externally adjustable soft start, output overvoltage protection, externally programmable current limit, power good output, and a programmable oscillator frequency that ranges from 200 kHz to 1.5 MHz. The switching frequency of the **ADP1851** can be synchronized to an external clock signal applied to the SYNC input. The **ADP1851** has the reference voltage accuracy of $\pm 1\%$ from -40°C to $+125^{\circ}\text{C}$ junction temperature. This controller can be powered from a 2.75 V to 20 V supply and is available in a 16-lead 4 mm \times 4 mm LFCSP package.

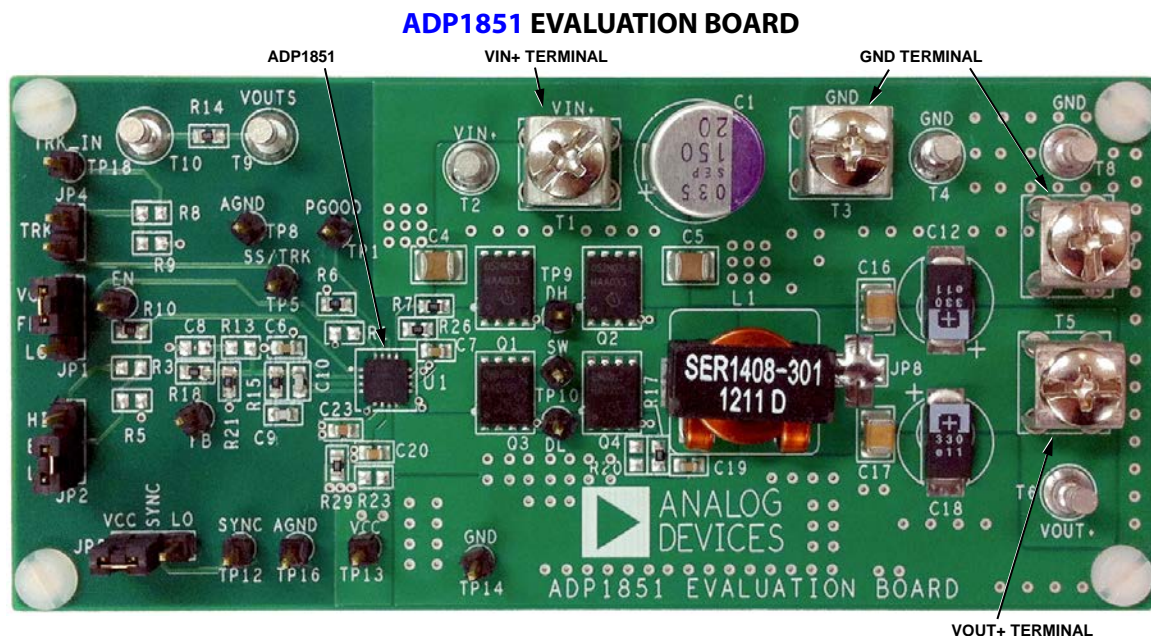


Figure 1.

TABLE OF CONTENTS

Features	1	Output Capacitors	3
Evaluation Board Description.....	1	MOSFET Selection.....	3
ADP1851 Device Description.....	1	Test Results	4
ADP1851 Evaluation Board	1	Evaluation Board Operating Instruction	5
Revision History	2	Other Information About the Evaluation Board PCB Layout ..	6
Component Design	3	Evaluation Board Schematics and Artwork	7
ADIsimPower Design Tool	3	Ordering Information.....	10
Inductor Selection	3	Bill of Materials.....	10
Input Capacitors	3		

REVISION HISTORY

7/12—Revision 0: Initial Version

COMPONENT DESIGN

ADIsimPower DESIGN TOOL

The [ADP1851](#) is supported by the ADIsimPower™ design tool set. ADIsimPower is a collection of tools that produce complete power designs optimized to a specific design goal. The tools allow the user to generate a full schematic, bill of materials, and calculate performance in minutes. ADIsimPower can optimize designs for cost, area, efficiency, and parts count while taking into consideration the operating conditions and limitations of the IC and all real external components. The ADIsimPower tool can be found at www.analog.com/ADIsimPower and users can request an unpopulated board through the tool.

For information about selecting power components and calculating component values, see also the [ADP1851](#) data sheet.

INDUCTOR SELECTION

The selected inductor is a Coilcraft SER1408-301ME with 0.3 μH inductance, and 53 A saturation current. This shielded inductor with a flat wire windings core provides exceptionally low DCR of 0.5 $\text{m}\Omega$ (typical).

INPUT CAPACITORS

Because of the low ESR and high input current rating of a multi-layer ceramic capacitor (MLCC), a 10 μF MLCC is selected as the input capacitor close to the high-side power MOSFET. In addition, a 150 μF bulk OS-CON™ capacitor (aluminum solid capacitor with conductive polymer) from Sanyo is chosen for filtering out any unwanted low frequency noise from the input power supply.

OUTPUT CAPACITORS

A combination of the 330 μF POSCAP™ polymer capacitors and the 47 μF MLCC is selected for the output rail. Polymer capacitors have low ESR and high current ripple rating. Connecting polymer capacitors and MLCCs in parallel is very effective in reducing voltage ripple.

MOSFET SELECTION

For low output or low duty cycle, select a high-side MOSFET with fast rise and fall times and with low input capacitance to minimize charging and switching power loss. As for the synchronous rectifier (low-side MOSFET), select a MOSFET with low $R_{\text{DS(on)}}$ because it conducts current most of the time during the switching cycle and contributes a larger portion in the conductive losses than the high-side MOSFET. For the high-side MOSFET, two BSC052N03LS from Infineon in the PG-TDSON-8 package are selected. These parts have low input capacitance (770 pF typical) and fast transition times (typical turn-on delay is 2.4 ns). For the low-side MOSFET, two BSC090NS from Infineon, with the $R_{\text{DS(on)}}$ of 3.5 $\text{m}\Omega$ (maximum at V_{GS} of 4.5 V) are selected.

TEST RESULTS

$T_A = 25^\circ\text{C}$.

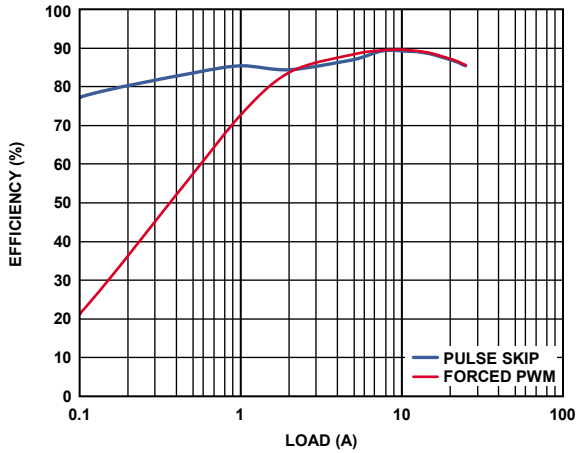


Figure 2. Efficiency, $V_{IN} = 12\text{ V}$, $V_{OUT} = 1.8\text{ V}$, $f_{OSC} = 600\text{ kHz}$

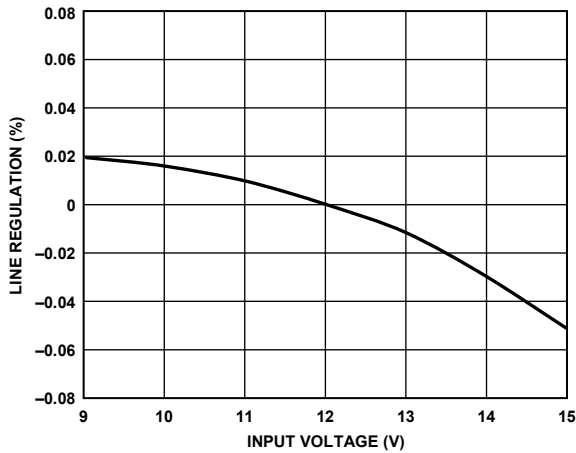


Figure 3. Line Regulation, $V_{OUT} = 1.8\text{ V}$, $f_{SW} = 600\text{ kHz}$, 25 A Load

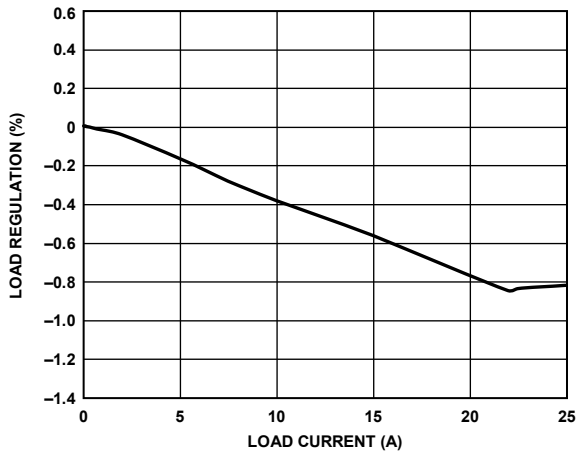


Figure 4. Load Regulation, $V_{IN} = 12\text{ V}$, $V_{OUT} = 1.8\text{ V}$, $f_{SW} = 600\text{ kHz}$

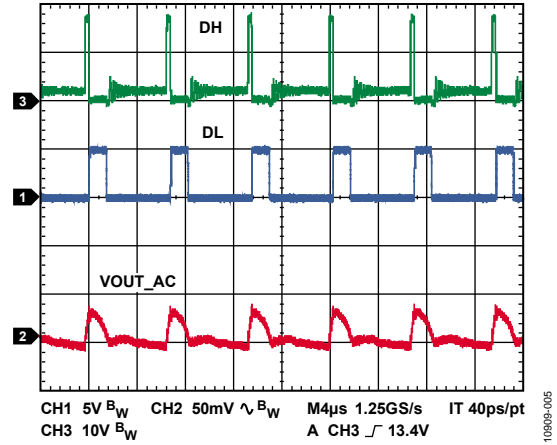


Figure 5. Switching Waveforms, Light Load of 1.5 A, $f_{OSC} = 600\text{ kHz}$, Pulse Skip Enabled, SYNC Low

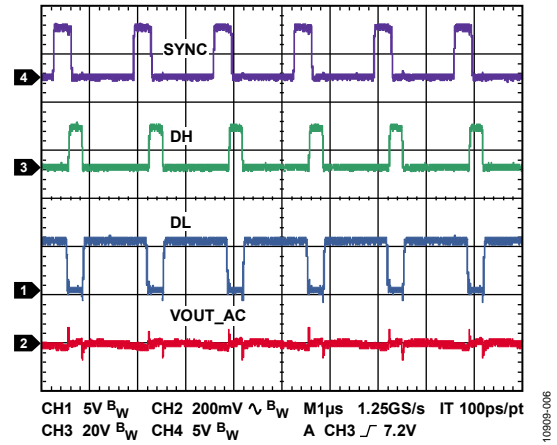


Figure 6. Switching Waveforms, 25 A Load, $f_{SYNC} = 600\text{ kHz}$

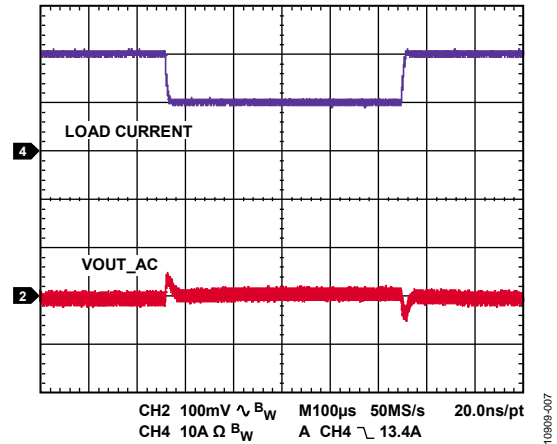


Figure 7. V_{OUT} Transient Response, 20 A to 10 A Load Step

EVALUATION BOARD OPERATING INSTRUCTION

1. Connect Jumper JP2 (EN) with a shunt to the low position (disabled).
2. Connect Jumper JP1 (FRQ) with a shunt to the high position for 600 kHz operation.
3. Connect Jumper JP5 (SYNC) with a shunt to the high position for PWM operation or to the low position for pulse skip operation at light load.
4. Remove Jumper JP4 (TRK) for the soft-start operation.
5. Connect a power supply to the board input terminals VIN+ and GND and apply 12 V.
6. Connect Jumper JP2 (EN) to the high position to enable the [ADP1851](#).

Table 1. Jumper Description

Jumper	Description	Default Factory Setting	Function
JP1	FRQ	Low	Connect shunt low for 300 kHz or high for 600 kHz switching frequency operation. The ADP1851-EVALZ is configured for operation at 600 kHz. Connect JP1 high.
JP2	EN	Low	Connect shunt high to enable the ADP1851 or low to disable it.
JP4	TRK	Open	Keep open to study the soft-start function. Short with shunt to study the tracking capability when the master voltage is applied to TP18 (TRK_IN) and divided with the R8/R9 resistors.
JP5	SYNC	Low	Connect shunt high for PWM or low for pulse skip operation. For synchronization, remove the shunt from JP5 and apply an external clock to the TP12 SYNC.

Table 2. Performance Summary ($T_A = 25^\circ\text{C}$)

Parameter	Condition
V_{IN}	9 V to 15 V
f_{SW}	Switching frequency, 600 kHz
V_{OUT}	1.8 V
I_{OUT}	0 A to 25 A
V_{OUT} Ripple, DC Load	35 mV at 25 A load
V_{OUT} Deviation upon Step Load Release	2.5% with 10 A step load

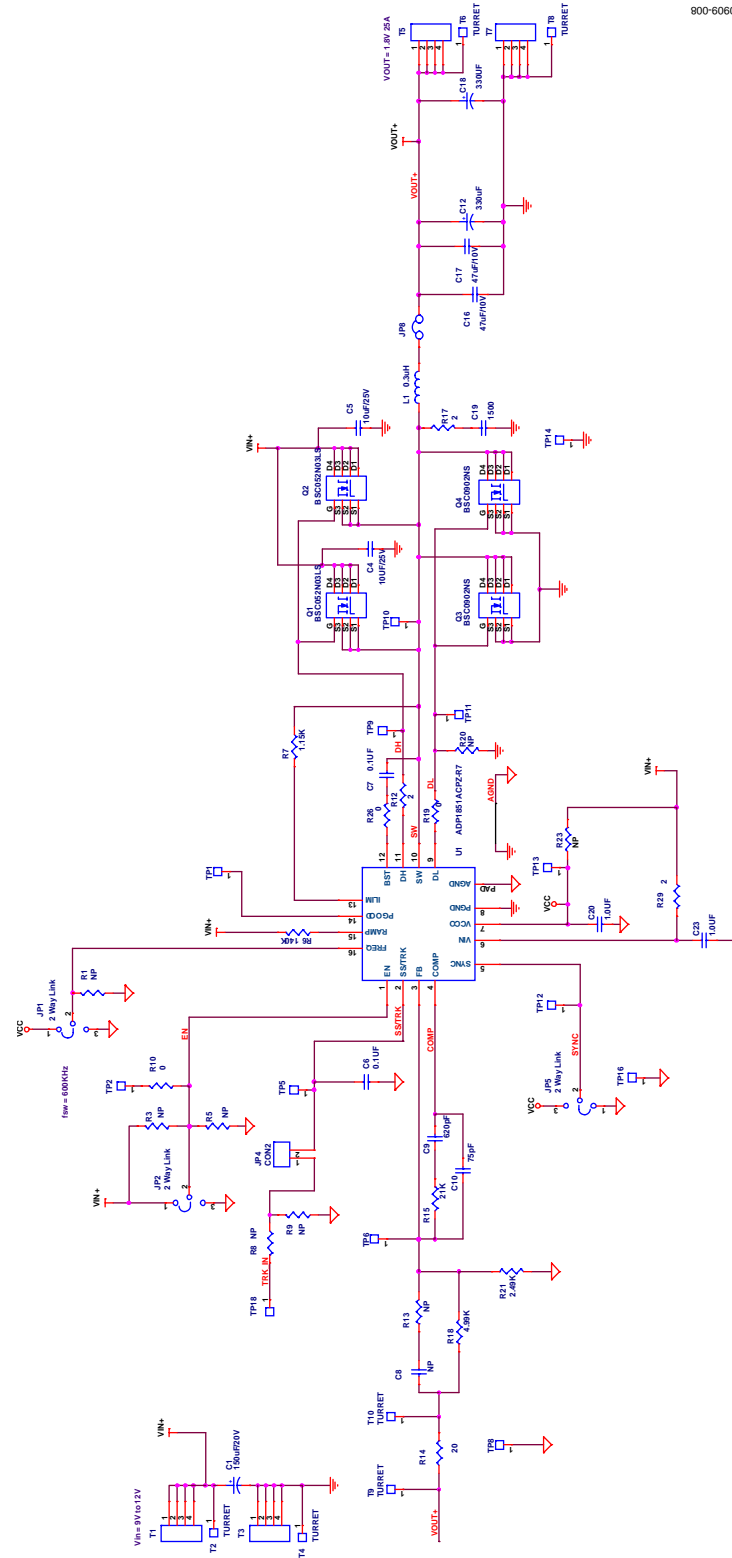
OTHER INFORMATION ABOUT THE EVALUATION BOARD PCB LAYOUT

As seen in Figure 1, the layout of this evaluation board is not optimized for the smallest PCB area. It is laid out in such a way that any of the components can be desoldered and replaced easily with different components by using a hand soldering iron so that the user can modify the existing design without acquiring a new PCB layout. The physical size of the compensation components is 0603, which is selected for its ease of hand soldering when reworking the board is needed. The size of these components can be smaller in an actual design. The user can also remove or change any of the power components, including

the output filter capacitors, high-side and low-side MOSFETs, input capacitors, and inductor, to achieve a particular design objective. If a tracking function is needed, the user can remove Capacitor C6, place a resistor divider (R8/R9) to configure the desired tracking function, and short the JP4 (TRK) with shunt. To study the precision enable function, remove the shunt from JP2 and apply an external voltage to TP2 EN. To program a higher UVLO threshold, place the required resistor divider (R3/R5).

See Figure 8, the evaluation board schematic, for more information.

EVALUATION BOARD SCHEMATICS AND ARTWORK



900-60601

Figure 8. Evaluation Board Schematic

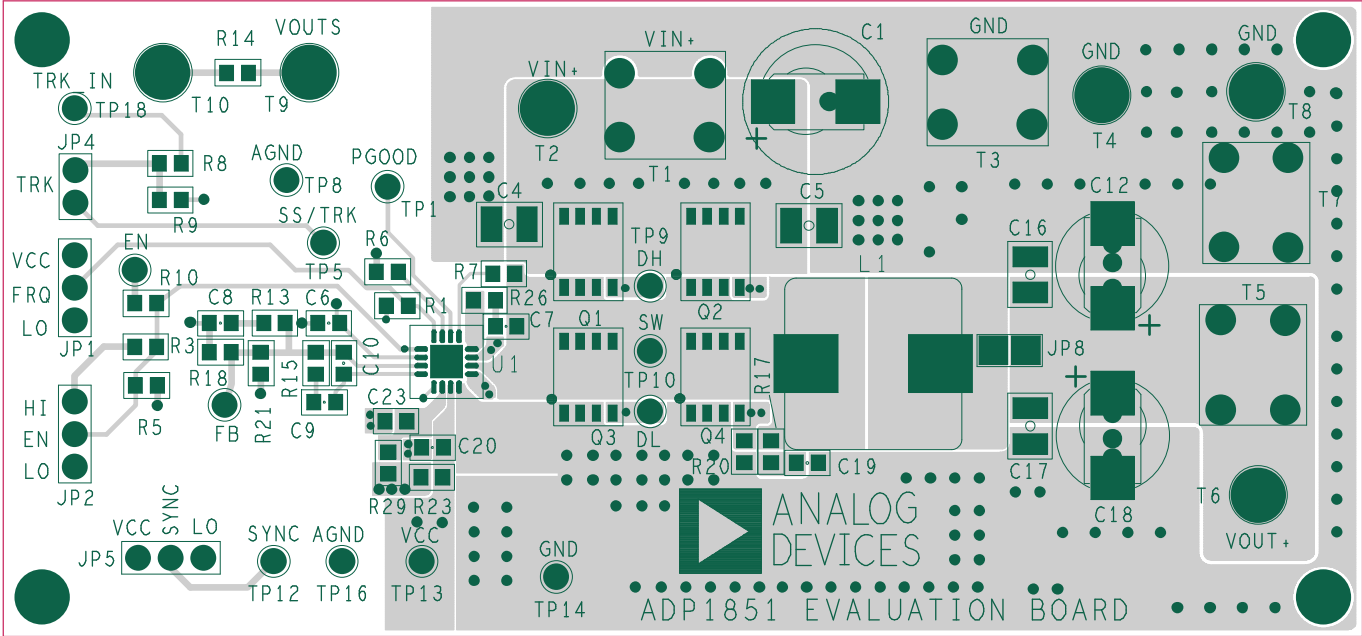


Figure 9. Top Layer with Silkscreen

10809-009

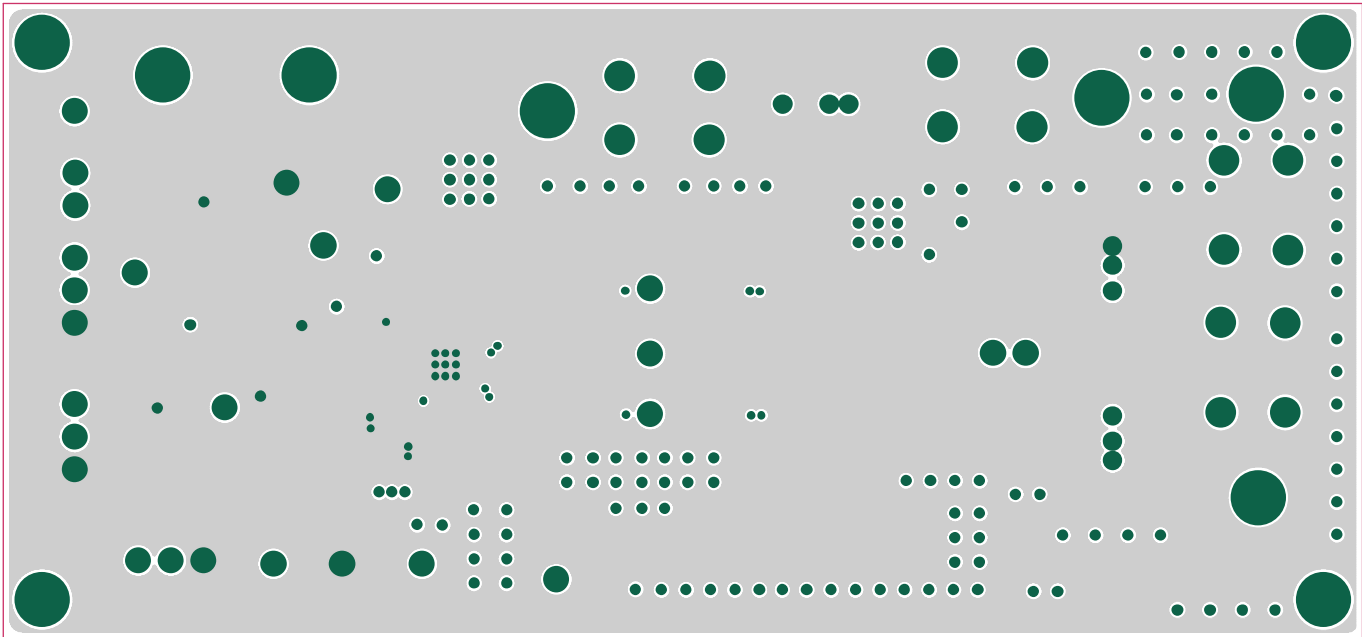


Figure 10. Second Layer (AGND Plane)

10809-010

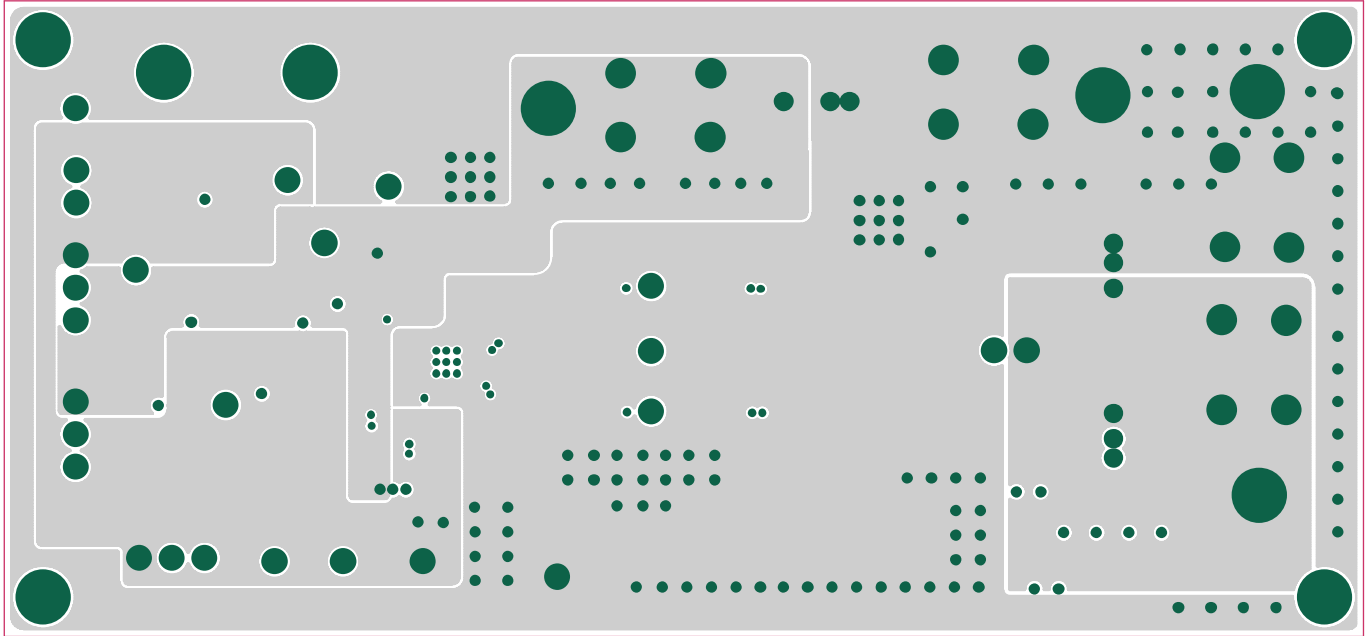


Figure 11. Third Layer (V_{IN} , V_{CC0} , V_{OUT} , and PGND)

10809-011

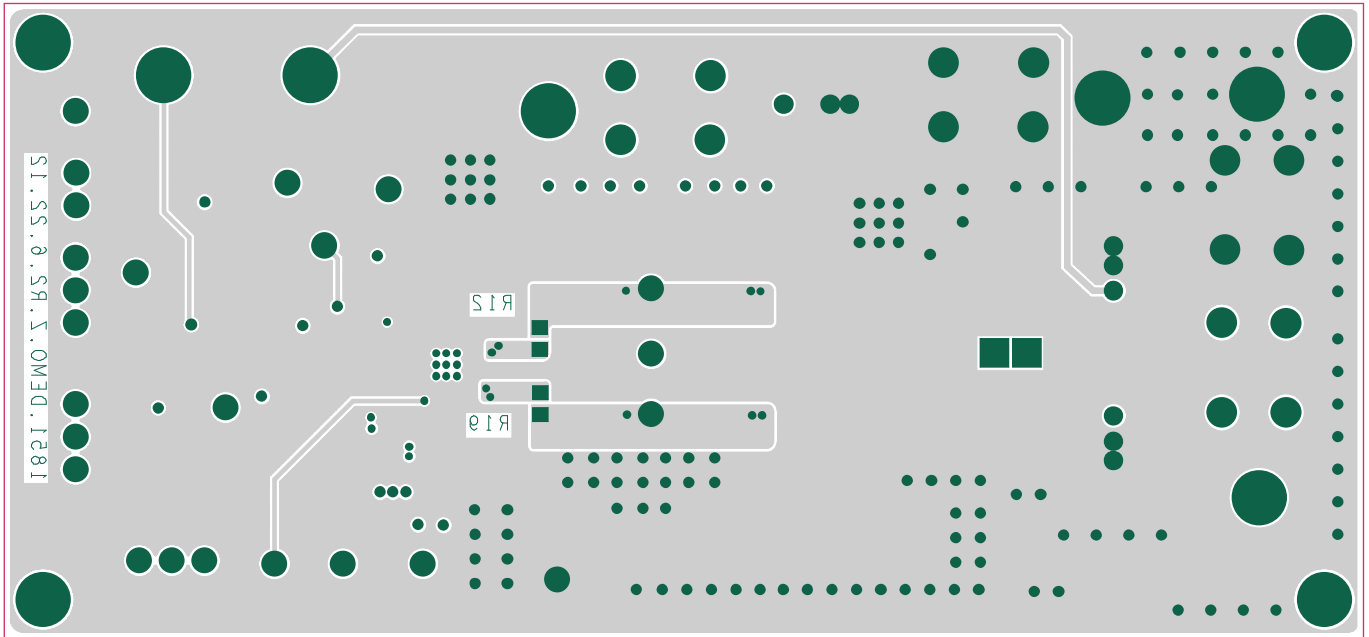


Figure 12. Bottom Layer

10809-012

ORDERING INFORMATION

BILL OF MATERIALS

Table 3.

Qty	Reference Designator	Description	Manufacturer	Part No.
1	C1	OS-CON 150 μ F 20 V	Sanyo	20SEP150M
2	C4, C5	Capacitor ceramic 10 μ F 25 V 10% X7R 1210	Murata	GRM32DR71E106KA12
2	C6, C7	Capacitor ceramic 0.1 μ F 25 V 10% X7R 0603	Murata	GRM188R71E104KA01D
1	C8	Open		
1	C9	Capacitor ceramic 620 pF C0G/NP0 0603	Murata	GRM1885C1H621JA01D
1	C10	Capacitor ceramic 75 pF C0G/NP0 0603	Murata	GRM1885C1H750JA01D
2	C12, C18	POSCAP 330 μ F 2.5 V 7 m Ω	Sanyo	2R5TPE330M7
2	C16, C17	Capacitor ceramic 47 μ F 10 V X5R 1210	Murata	GRM32ER61A476KE20L
1	C19	Capacitor ceramic 1500 pF X7R 0603	Murata	GRM188R71H152KA01D
2	C20, C23	Capacitor ceramic 1 μ F 25 V X7R 0603	Murata	GRM188R71E105KA12D
3	JP1, JP2, JP5	Jumper, Header 3, 0.100"	Samtec	TSW-150-07-G-S
1	JP4	Jumper, Header 2, 0.100"	Samtec	TSW-150-07-G-S
1	JP8	Solder bridge		
1	L1	Inductor 0.3 μ H 0.5 m Ω , $I_{SAT} = 53$ A, $I_{RMS} = 42$ A	Coilcraft	SER1408-301ME
2	Q1, Q2	N MOSFET, 30 V, 5.2 m Ω	Infineon	BSC052N03LS
2	Q3, Q4	N MOSFET, 30 V, 2.6 m Ω	Infineon	BSC0902NS
8	R1, R3, R5, R8, R9, R13, R20, R23	Open		
1	R6	Resistor 140 k Ω 1%	Vishay	CRCW0603140KFKEA
1	R7	Resistor 1.15 k Ω 1%	Vishay	CRCW06031K15FKEA
3	R10, R19, R26	Resistor 0 Ω	Vishay	CRCW06030000Z0EA
3	R12, R17, R29	Resistor 2.0 Ω 1%	Vishay	CRCW0602R00FKEA
1	R14	Resistor 20 Ω	Vishay	CRCW060320R0FKEA
1	R15	Resistor 21.0 k Ω 1%	Vishay	CRCW060321K0FKEA
1	R18	Resistor 4.99 k Ω 1%	Vishay	CRCW06034K99FKEA
1	R21	Resistor 2.49 k Ω 1%	Vishay	CRCW06032K49FKEA
13	TP1, TP2, TP5, TP6, TP8, TP9, TP10, TP11, TP12, TP13, TP14, TP16, TP18	Test points, header 0.100"	Samtec	TSW-150-07-G-S
4	T1, T3, T5, T7	Terminal screw vertical PC MNT	Keystone Electronics Corp.	8191K-ND
6	T2, T4, T6, T8, T9, T10	TURRET170	Keystone Electronics Corp.	1502-1
1	U1	Device under test, 16-lead LFCSP	Analog Devices	ADP1851ACPZ-R7
4		Shunt	Samtec	SNT-100-BK-G
4		Standoff HEX .500/4 NYL	Keystone Electronics Corp.	1902C
4		Screw NYL slot	Richco	NSS-4-6-01

NOTES

NOTES

**ESD Caution**

ESD (electrostatic discharge) sensitive device. Charged devices and circuit boards can discharge without detection. Although this product features patented or proprietary protection circuitry, damage may occur on devices subjected to high energy ESD. Therefore, proper ESD precautions should be taken to avoid performance degradation or loss of functionality.

Legal Terms and Conditions

By using the evaluation board discussed herein (together with any tools, components documentation or support materials, the "Evaluation Board"), you are agreeing to be bound by the terms and conditions set forth below ("Agreement") unless you have purchased the Evaluation Board, in which case the Analog Devices Standard Terms and Conditions of Sale shall govern. Do not use the Evaluation Board until you have read and agreed to the Agreement. Your use of the Evaluation Board shall signify your acceptance of the Agreement. This Agreement is made by and between you ("Customer") and Analog Devices, Inc. ("ADI"), with its principal place of business at One Technology Way, Norwood, MA 02062, USA. Subject to the terms and conditions of the Agreement, ADI hereby grants to Customer a free, limited, personal, temporary, non-exclusive, non-sublicensable, non-transferable license to use the Evaluation Board FOR EVALUATION PURPOSES ONLY. Customer understands and agrees that the Evaluation Board is provided for the sole and exclusive purpose referenced above, and agrees not to use the Evaluation Board for any other purpose. Furthermore, the license granted is expressly made subject to the following additional limitations: Customer shall not (i) rent, lease, display, sell, transfer, assign, sublicense, or distribute the Evaluation Board; and (ii) permit any Third Party to access the Evaluation Board. As used herein, the term "Third Party" includes any entity other than ADI, Customer, their employees, affiliates and in-house consultants. The Evaluation Board is NOT sold to Customer; all rights not expressly granted herein, including ownership of the Evaluation Board, are reserved by ADI. CONFIDENTIALITY. This Agreement and the Evaluation Board shall all be considered the confidential and proprietary information of ADI. Customer may not disclose or transfer any portion of the Evaluation Board to any other party for any reason. Upon discontinuation of use of the Evaluation Board or termination of this Agreement, Customer agrees to promptly return the Evaluation Board to ADI. ADDITIONAL RESTRICTIONS. Customer may not disassemble, decompile or reverse engineer chips on the Evaluation Board. Customer shall inform ADI of any occurred damages or any modifications or alterations it makes to the Evaluation Board, including but not limited to soldering or any other activity that affects the material content of the Evaluation Board. Modifications to the Evaluation Board must comply with applicable law, including but not limited to the RoHS Directive. TERMINATION. ADI may terminate this Agreement at any time upon giving written notice to Customer. Customer agrees to return to ADI the Evaluation Board at that time. LIMITATION OF LIABILITY. THE EVALUATION BOARD PROVIDED HEREUNDER IS PROVIDED "AS IS" AND ADI MAKES NO WARRANTIES OR REPRESENTATIONS OF ANY KIND WITH RESPECT TO IT. ADI SPECIFICALLY DISCLAIMS ANY REPRESENTATIONS, ENDORSEMENTS, GUARANTEES, OR WARRANTIES, EXPRESS OR IMPLIED, RELATED TO THE EVALUATION BOARD INCLUDING, BUT NOT LIMITED TO, THE IMPLIED WARRANTY OF MERCHANTABILITY, TITLE, FITNESS FOR A PARTICULAR PURPOSE OR NON-INFRINGEMENT OF INTELLECTUAL PROPERTY RIGHTS. IN NO EVENT WILL ADI AND ITS LICENSORS BE LIABLE FOR ANY INCIDENTAL, SPECIAL, INDIRECT, OR CONSEQUENTIAL DAMAGES RESULTING FROM CUSTOMER'S POSSESSION OR USE OF THE EVALUATION BOARD, INCLUDING BUT NOT LIMITED TO LOST PROFITS, DELAY COSTS, LABOR COSTS OR LOSS OF GOODWILL. ADI'S TOTAL LIABILITY FROM ANY AND ALL CAUSES SHALL BE LIMITED TO THE AMOUNT OF ONE HUNDRED US DOLLARS (\$100.00). EXPORT. Customer agrees that it will not directly or indirectly export the Evaluation Board to another country, and that it will comply with all applicable United States federal laws and regulations relating to exports. GOVERNING LAW. This Agreement shall be governed by and construed in accordance with the substantive laws of the Commonwealth of Massachusetts (excluding conflict of law rules). Any legal action regarding this Agreement will be heard in the state or federal courts having jurisdiction in Suffolk County, Massachusetts, and Customer hereby submits to the personal jurisdiction and venue of such courts. The United Nations Convention on Contracts for the International Sale of Goods shall not apply to this Agreement and is expressly disclaimed.