

Evaluation Board for the ADP5022 Micro PMU

FEATURES

- Full featured evaluation board for the ADP5022**
- Standalone capability**
- Simple device measurements, including line and load regulation, demonstrable with**
 - A single voltage supply**
 - A voltage meter**
 - A current meter**
 - Load resistors**
- Easy access to external components**
- Cascading options to supply the LDO from either buck**
- Dedicated enable option for each channel**
- Mode option to change bucks from PFM to PWM operation**

GENERAL DESCRIPTION

The ADP5022 evaluation board is a two step-down regulator with an LDO solution that enables evaluation of the ADP5022. The evaluation board is available in standard voltage options.

The ADP5022 uses a proprietary high speed, current mode, constant frequency PWM control scheme for excellent stability and transient response. To ensure the longest battery life in portable applications, the ADP5022 features a power save mode (PSM) that reduces the switching frequency under light load conditions, as well as the option to change the mode to fixed PWM operation. The 3 MHz switching frequency minimizes the size of the external components.

The low quiescent current, low dropout voltage, and wide input voltage range of the ADP5022 LDO extends the battery life of portable devices.

Full details on the ADP5022 are provided in the ADP5022 data sheet available from Analog Devices, Inc., which should be consulted in conjunction with this evaluation board user guide.

DIGITAL PICTURE OF THE EVALUATION BOARD

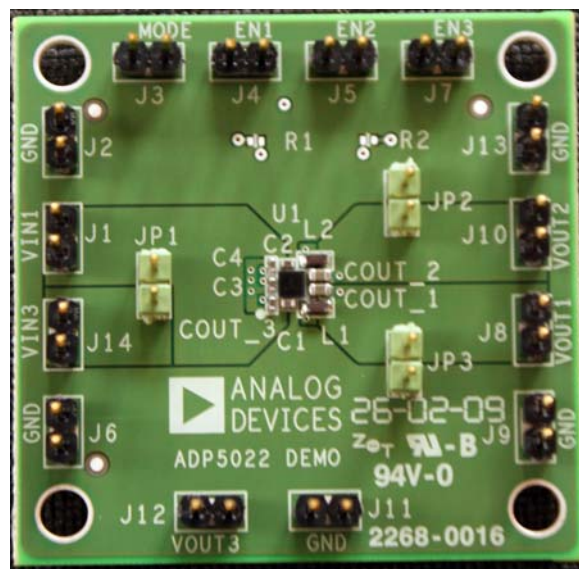


Figure 1.

TABLE OF CONTENTS

Features	1	Measuring Output Voltage	6
General Description	1	Measuring Ground Current	7
Digital Picture of the Evaluation Board.....	1	Evaluation Board Schematics and Artwork.....	8
Revision History	2	Ordering Information.....	10
Using the Evaluation Board.....	3	Bill of Material	10
Powering Up the Evaluation Board.....	3	ESD Caution.....	10
Measuring Evaluation Board Performance	3		

REVISION HISTORY

12/09—Revision 0: Initial Version

USING THE EVALUATION BOARD

POWERING UP THE EVALUATION BOARD

The ADP5022 evaluation board is supplied fully assembled and tested. Before applying power to the evaluation board, follow the procedures in this section.

Jumper J4, Jumper J5, and Jumper J7 (ENABLE)

Jumper J4 (EN1) enables/disables Buck1, Jumper J5 (EN2) enables/disables Buck2, and Jumper J7 (EN3) enables/disables the LDO. Connecting J4 (EN1) and J1 (VIN1) enables Buck1. Connecting J4 (EN1) to J2 (GND) disables Buck1 and brings the current to less than 1 μ A on this channel.

Jumper J3 (MODE)

Jumper J3 (MODE) pulled high to J1 (VIN1) forces Buck1 and Buck2 into forced PWM operation. J3 (MODE) pulled low to J2 (GND) allows Buck1 and Buck2 to operate in automatic PWM/PSM operation.

Input Power Source

If the input power source includes a current meter, use that meter to monitor the input current. Connect the positive terminal of the power source to J1 (VIN1) on the evaluation board, and the negative terminal of the power source to J2 (GND).

When Jumper JP1 is inserted this gives the option to supply the same power source to all channels on the ADP5022. If this jumper is not used, a second power source can be used to supply J14 (VIN3) and the negative terminal to J6 (GND) of the evaluation board, which is the input voltage to the LDO. When JP1 is not used, the output voltages from either Buck1 or Buck2 can be used to supply a voltage to JP14 (VIN3) by inserting the jumper JP3 (VOUT1) or the jumper JP2 (VOUT2).

If the power source does not include a current meter, connect a current meter in series with the input source voltage. Connect the positive lead (+) of the power source to the ammeter positive (+) connection, the negative lead (-) of the power source to J2 (GND) on the evaluation board, and the negative lead (-) of the ammeter to J1 (VIN) on the board. Be aware that the current meters add resistance to the input source and this voltage reduces with high output currents.

Output Load

Connect an electronic load or resistor to set the load current. If the load includes an ammeter, or if the current is not measured, connect the load directly to the evaluation board, with the positive (+) load connection to one of the channels. For example, connect Buck1, J8 (VOUT1) and the negative (-) load connection to J9 (GND).

If an ammeter is used, connect it in series with the load. Connect the positive (+) ammeter terminal to the evaluation board for Buck1, J8 (VOUT1), the negative (-) ammeter terminal to the positive (+) load terminal, and the negative (-) load terminal to the evaluation board J9 (GND).

Input and Output Voltmeters

Measure the input and output voltages with voltmeters. Make sure that the voltmeters are connected to the appropriate evaluation board terminals and not to the load or power source themselves.

If the voltmeters are not connected directly to the evaluation board, the measured voltages are incorrect due to the voltage drop across the leads and/or connections between the evaluation board, the power source, and/or the load.

Connect the input voltage measuring voltmeter positive terminal (+) to the evaluation board J1 (VIN), and the negative (-) terminal to the evaluation board J2 (GND).

Connect the output voltage measuring voltmeter positive (+) terminal to the evaluation board J8 (VOUT1) for measuring the output voltage of Buck1 and the negative (-) terminal to the evaluation board J9 (GND).

Turning On the Evaluation Board

Once the power source and load are connected to the ADP5022 evaluation board, the board can be powered for operation. Perform the following steps:

1. Ensure that the power source voltage is greater than 4.2 V and less than 5.5 V.
2. Ensure that the desired channel is enabled and monitor the output voltage.

If the load is not already enabled, enable the load; check that it is drawing the proper current, and that the output voltage maintains voltage regulation.

MEASURING EVALUATION BOARD PERFORMANCE

Measuring Output Voltage Ripple on

To observe the output voltage ripple of Buck1, place an oscilloscope probe across the output capacitor (COUT_1) with the probe ground lead at the negative (-) capacitor terminal and the probe tip at the positive (+) capacitor terminal. Set the oscilloscope to ac, 20 mV/division, and 2 μ s/division time base.

Measuring the Switching Waveform

To observe the switching waveform with an oscilloscope, place the oscilloscope probe tip at the end of the inductor with the probe ground at GND. Set the oscilloscope to dc, 2 V/division, and 2 μ s/division time base.

Measuring Load Regulation

Test the load regulation by increasing the load at the output and looking at the change in output voltage. To minimize voltage drop, use short low resistance wires, especially for loads approaching maximum current.

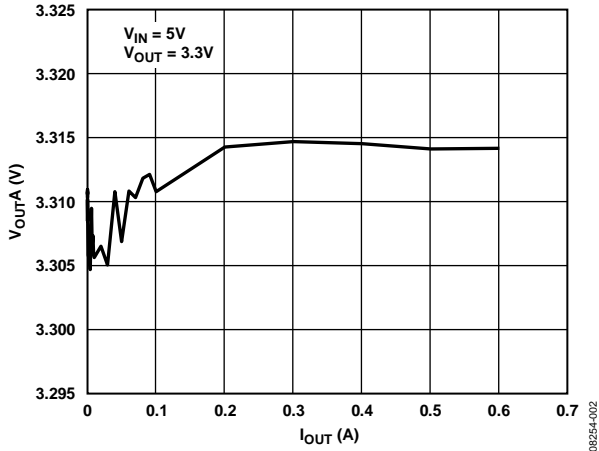


Figure 2. Buck Load Regulation

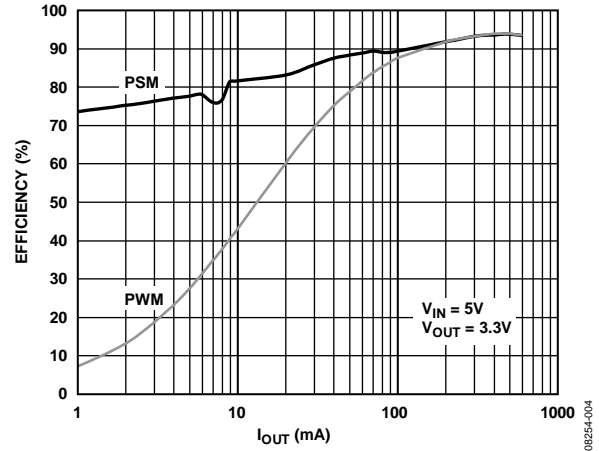


Figure 4. Buck Efficiency

Measuring Line Regulation

Vary the input voltage and examine the change in the output voltage.

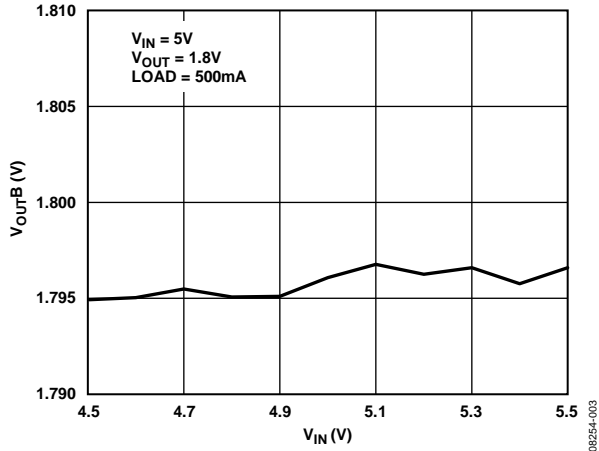


Figure 3. Buck Efficiency

Measuring Efficiency

Measure the efficiency, η , by comparing the input power with the output power.

$$\eta = \frac{V_{OUT} \times I_{OUT}}{V_{IN} \times I_{IN}}$$

Measure the input and output voltages as close as possible to the input and output capacitors to reduce the effect of IR drops.

Measuring Inductor Current

Measure the inductor current can be measured by removing one end of the inductor from its pad and connecting a current loop in series. A current probe can be connected onto this wire.

Line Regulation of LDO

For line regulation measurements, the regulator’s output is monitored while its input is varied. For good line regulation, the output must change as little as possible with varying input levels. To ensure that the device is not in dropout mode during this measurement, V_{IN} must be varied between V_{OUT} nominal + 0.5 V (or 2.3 V, whichever is greater) and V_{IN} maximum. For example, a fixed 2.8 V output needs V_{IN} to be varied between 3.3 V and 5.5 V. This measurement can be repeated under different load conditions. Figure 5 shows the typical line regulation performance of the LDO with fixed 2.8 V output.

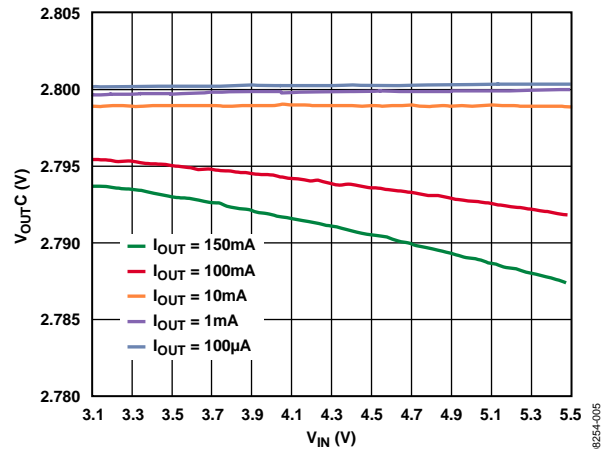


Figure 5. LDO Line Regulation

Load Regulation of LDO

For load regulation measurements, the regulator output is monitored while the load is varied. For good load regulation, the output must change as little as possible with varying loads. The input voltage must be held constant during this measurement. The load current can be varied from 0 mA to 150 mA. Figure 6 shows the typical load regulation performance of the LDO with fixed 2.8 V output for an input voltage of 3.3V.

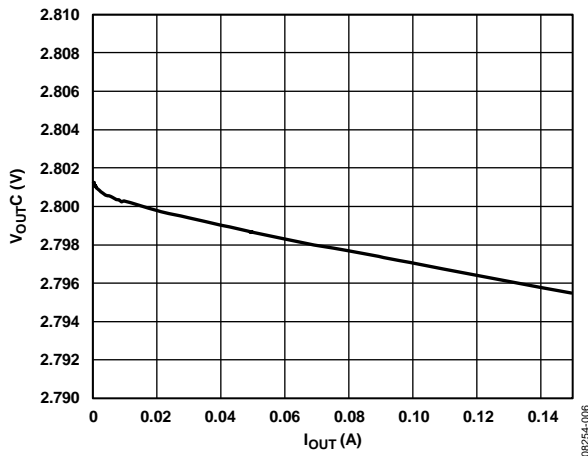


Figure 6. LDO Load Regulation

Dropout Voltage of LDO

Dropout voltage is defined as the input-to-output voltage differential when the input voltage is set to the nominal output voltage. This applies only for output voltages above 2.3 V. Dropout voltage increases with larger loads. For more accurate measurements, a second voltmeter can be used to monitor the input voltage across the input capacitor. The input supply voltage may need to be adjusted to account for IR drops, especially if large load currents are used.

Ground Current Consumption of LDO

Ground current measurements can determine how much current the regulator’s internal circuits consume while the circuits perform the regulation function. To be efficient, the regulator needs to consume as little current as possible. Typically, the regulator uses the maximum current when supplying its largest load level (150 mA). Figure 6 shows the typical ground current consumption for various load levels at an input voltage of 2.3 V.

When the device is disabled (EN3 = GND), the ground current drops to less than 1 mA.

MEASURING OUTPUT VOLTAGE

Figure 7 shows how the evaluation board can be connected to a voltage source and a voltmeter for basic output voltage accuracy measurements. A resistor can be used as the load for the regulator. Ensure that the resistor has a power rating adequate to handle the power expected to be dissipated across it. An electronic load can also be used as an alternative. Ensure that the voltage source can supply enough current for the expected load levels.

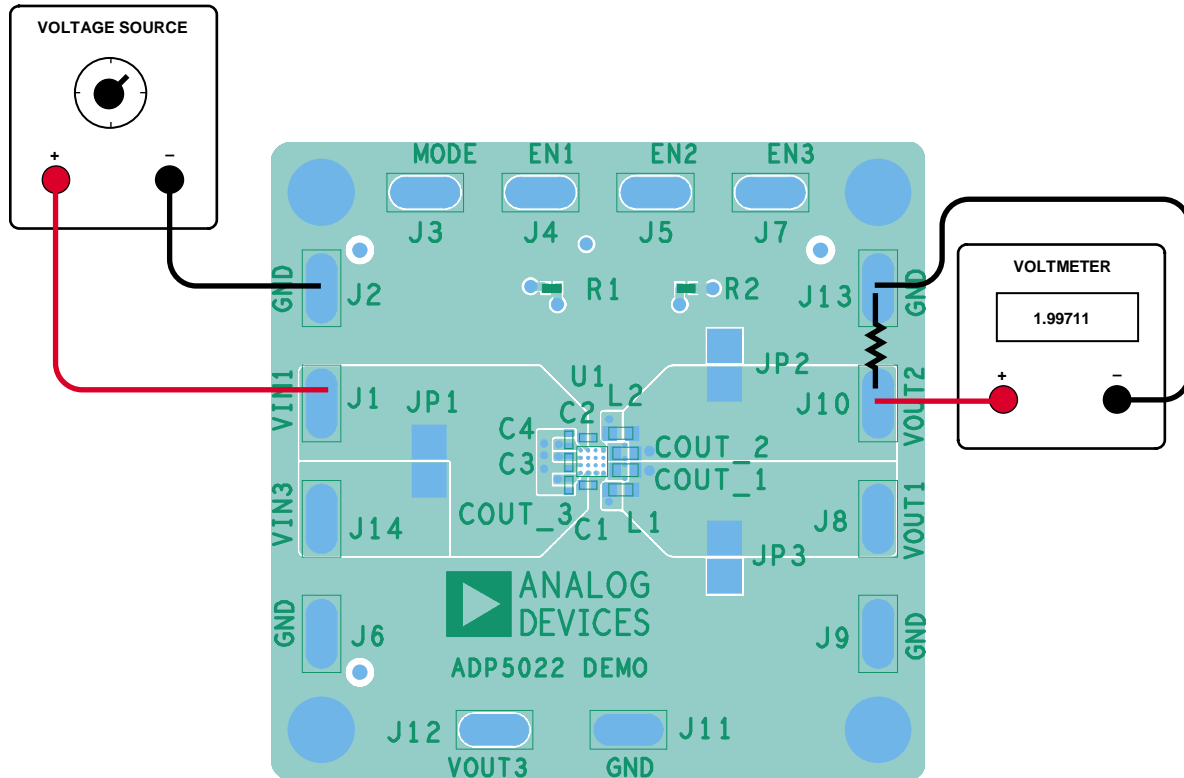


Figure 7. Output Voltage Measurement

08254-007

MEASURING GROUND CURRENT

Figure 8 shows the evaluation board connected to a voltage source and an ammeter for ground current measurements. A resistor can be used as the load for the regulator. Ensure that the resistor has a power rating that is adequate to handle the power expected to be dissipated across it. An electronic load can be used as an alternative. Ensure that the voltage source used can supply enough current for the expected load levels.

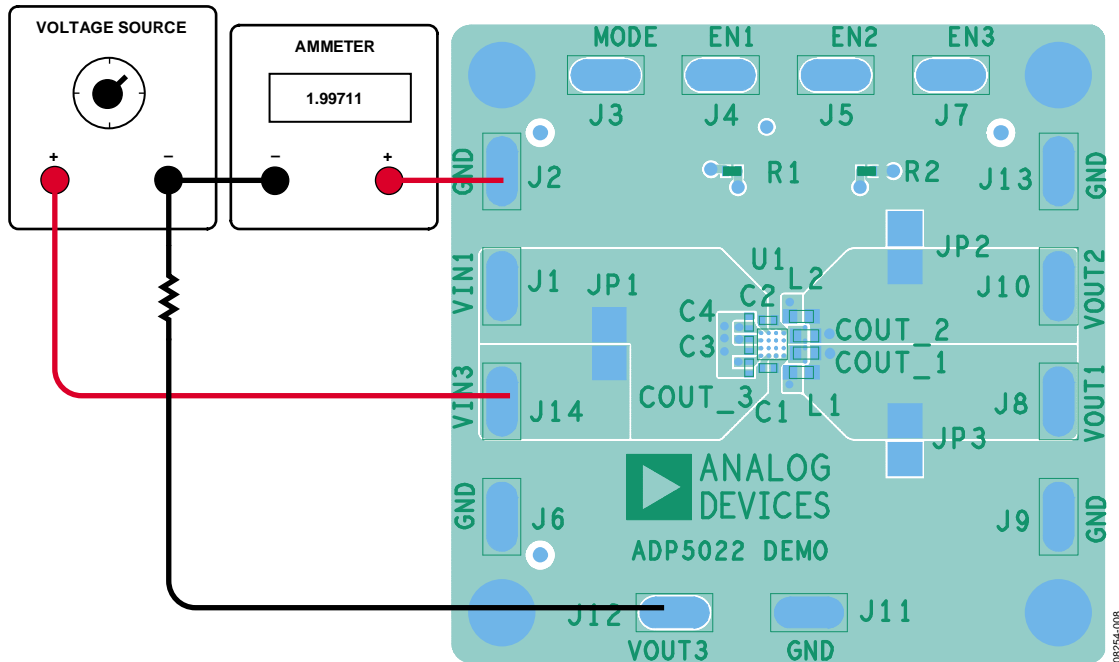


Figure 8. Ground Current Measurement

EVALUATION BOARD SCHEMATICS AND ARTWORK

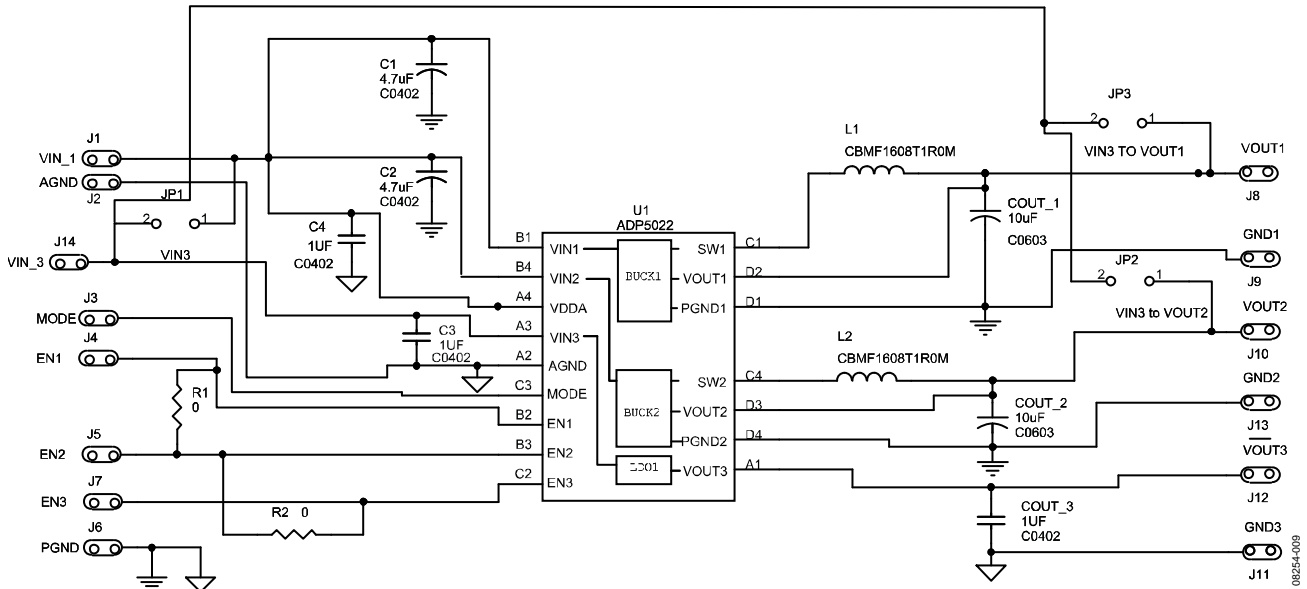


Figure 9. Evaluation Board Schematic of ADP5022

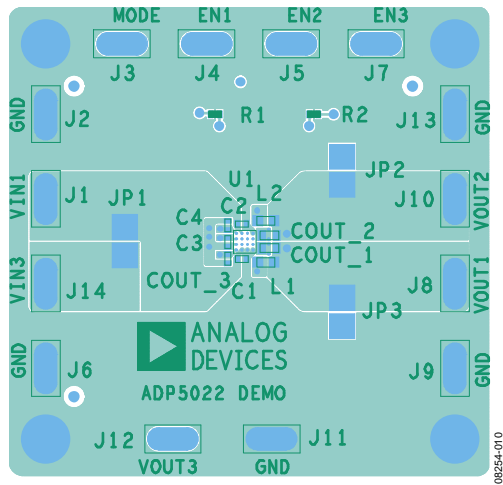


Figure 10. Top Layer, Recommended Layout

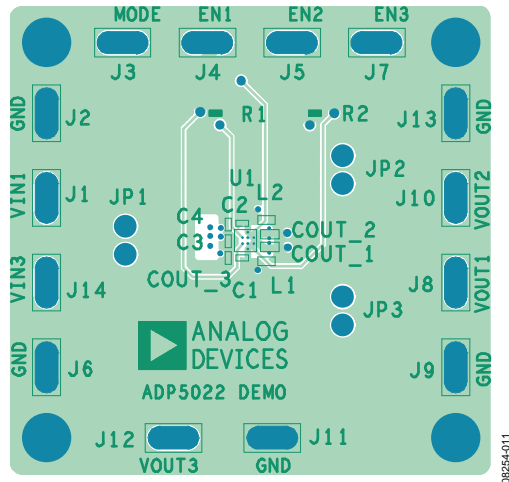


Figure 11. Second Layer, Recommended Layout

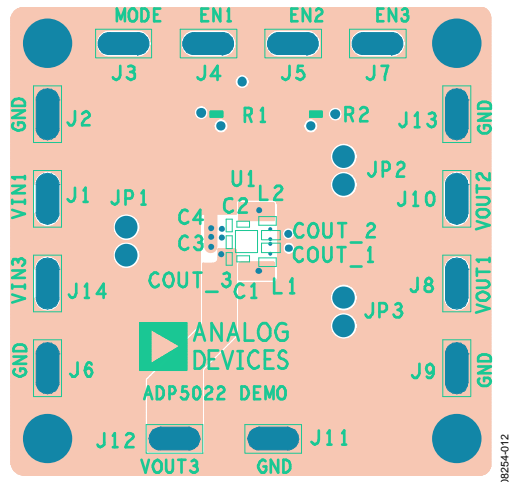


Figure 12. Third Layer, Recommended Layout

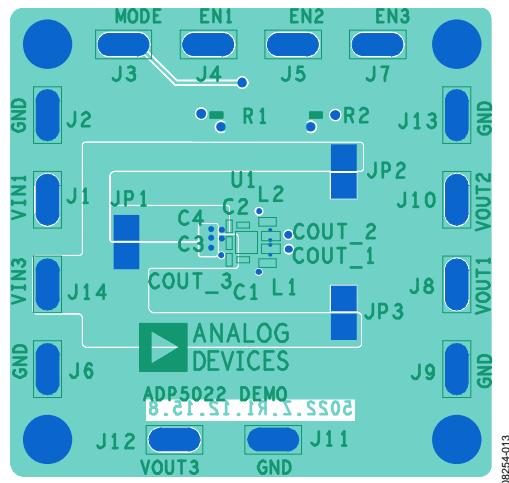


Figure 13. Bottom Layer, Recommended Layout

ORDERING INFORMATION

BILL OF MATERIAL

Table 1.

Qty.	Reference Designator	Description	Manufacturer	Part Number
1	U1	ADP5022 Micro PMU—3 Regulators	Analog Devices	ADP5022
2	C1, C2	Capacitor, MLCC, 4.7 μ F, 6.3 V, 0402, X5R	Panasonic—ECG	ECJ-0EB0J475M
3	C3, C4, COU_3	Capacitor, MLCC, 1.0 μ F, 6.3 V, 0402, X5R	Taiyo Yuden	LMK105BJ105MV-F
2	COU_2, COU_1	Capacitor, MLCC, 10.0 μ F, 6.3 V, 0603, X5R	Taiyo Yuden	JMK107BJ106MA-T
2	L1, L2	Inductor, 1.0 μ H, 0.29 A, 90 m Ω	Taiyo Yuden	CBMF1608T1R0M

ESD CAUTION



ESD (electrostatic discharge) sensitive device. Charged devices and circuit boards can discharge without detection. Although this product features patented or proprietary protection circuitry, damage may occur on devices subjected to high energy ESD. Therefore, proper ESD precautions should be taken to avoid performance degradation or loss of functionality.

NOTES

NOTES

Evaluation boards are only intended for device evaluation and not for production purposes. Evaluation boards are supplied "as is" and without warranties of any kind, express, implied, or statutory including, but not limited to, any implied warranty of merchantability or fitness for a particular purpose. No license is granted by implication or otherwise under any patents or other intellectual property by application or use of evaluation boards. Information furnished by Analog Devices is believed to be accurate and reliable. However, no responsibility is assumed by Analog Devices for its use, nor for any infringements of patents or other rights of third parties that may result from its use. Analog Devices reserves the right to change devices or specifications at any time without notice. Trademarks and registered trademarks are the property of their respective owners. Evaluation boards are not authorized to be used in life support devices or systems.