

LTC7130EY

20V 20A Monolithic Buck Converter with Ultra-Low DCR Sensing

DESCRIPTION

Demonstration circuit 2341A is a high efficiency synchronous buck DC/DC converter with 4.5V to 20V input range. It can supply 20A maximum load current at 1.5V output. The demo board features the **LTC®7130** regulator. No external MOSFETs are required. It employs an LTC proprietary current sensing, current mode architecture, allowing the use of a very low DC resistance (DCR) power inductor to maximize efficiency in high current applications. Differential output voltage sensing along with a precision internal reference combine to offer accurate output regulation. The LTC7130 is housed in a 6.25mm × 7.5mm × 2.22mm 63-pin BGA package.

The light load operation mode of the converter is determined with the MODE/PLLIN pin. Use the JP2 jumper to select pulse-skipping mode (P.S.), Burst Mode® (BURST)

or forced continuous mode (CCM) operation. The converter can also be externally synchronized through the MODE/PLLIN pin (MODE/PLLIN terminal on the board; JP2: no jumper or BURST position). To shut down the converter, one simple way is to force the RUN pin below 1.1V (JP1: OFF). The power good output (PGOOD terminal) is low when the output voltage is outside of the ±10% regulation window.

The LTC7130 data sheet gives a complete description of the operation and application information. The data sheet must be read in conjunction with this demo manual.

Design files for this circuit board are available at <http://www.linear.com/demo/DC2341A>

LT, LT, LTC, LTM, Linear Technology, the Linear logo and Burst Mode are registered trademarks of Linear Technology Corporation. All other trademarks are the property of their respective owners.

PERFORMANCE SUMMARY

Specifications are at $T_A = 25^\circ\text{C}$

PARAMETER	CONDITIONS	MIN	TYP	MAX	UNITS
Input Voltage Range		4.5		20	V
Output Voltage	$V_{IN} = 4.5\text{V to }20\text{V}$, $I_{OUT} = 0\text{A to }20\text{A}$		$1.5 \pm 2\%$		V
Maximum Output Current	$V_{IN} = 4.5\text{V to }20\text{V}$, $V_{OUT} = 1.5\text{V}$		20		A
Typical Switching Frequency			530		kHz
Typical Efficiency	$V_{IN} = 12\text{V}$, $I_{OUT} = 20\text{A}$		89.2		%
Typical Output Voltage Ripple	$V_{IN} = 12\text{V}$, $I_{OUT} = 20\text{A}$		25		mV _{p-p}

QUICK START PROCEDURE

Demonstration circuit 2341A is easy to set up to evaluate the performance of the LTC7130. Refer to Figure 1 for the proper measurement equipment setup and follow the procedure below:

1. With power off, connect the input power supply to V_{IN} (4.5V to 20V) and GND (input return).
2. Connect the 1.5V output load between V_{OUT} and GND (Initial load: no load).
3. Connect the DVMs to the input and outputs.
4. Turn on the input power supply and check for the proper output voltages. V_{OUT} should be $1.5V \pm 2\%$.

5. Once the proper output voltages are established, adjust the loads within the operating range and observe the output voltage regulation, ripple voltage and other parameters.

NOTE: When measuring the output or input voltage ripple, do not use the long ground lead on the oscilloscope probe. See Figure 2 for the proper scope probe technique. Short, stiff leads need to be soldered to the (+) and (-) terminals of an output capacitor. The probe's ground ring needs to touch the (-) lead and the probe tip needs to touch the (+) lead.

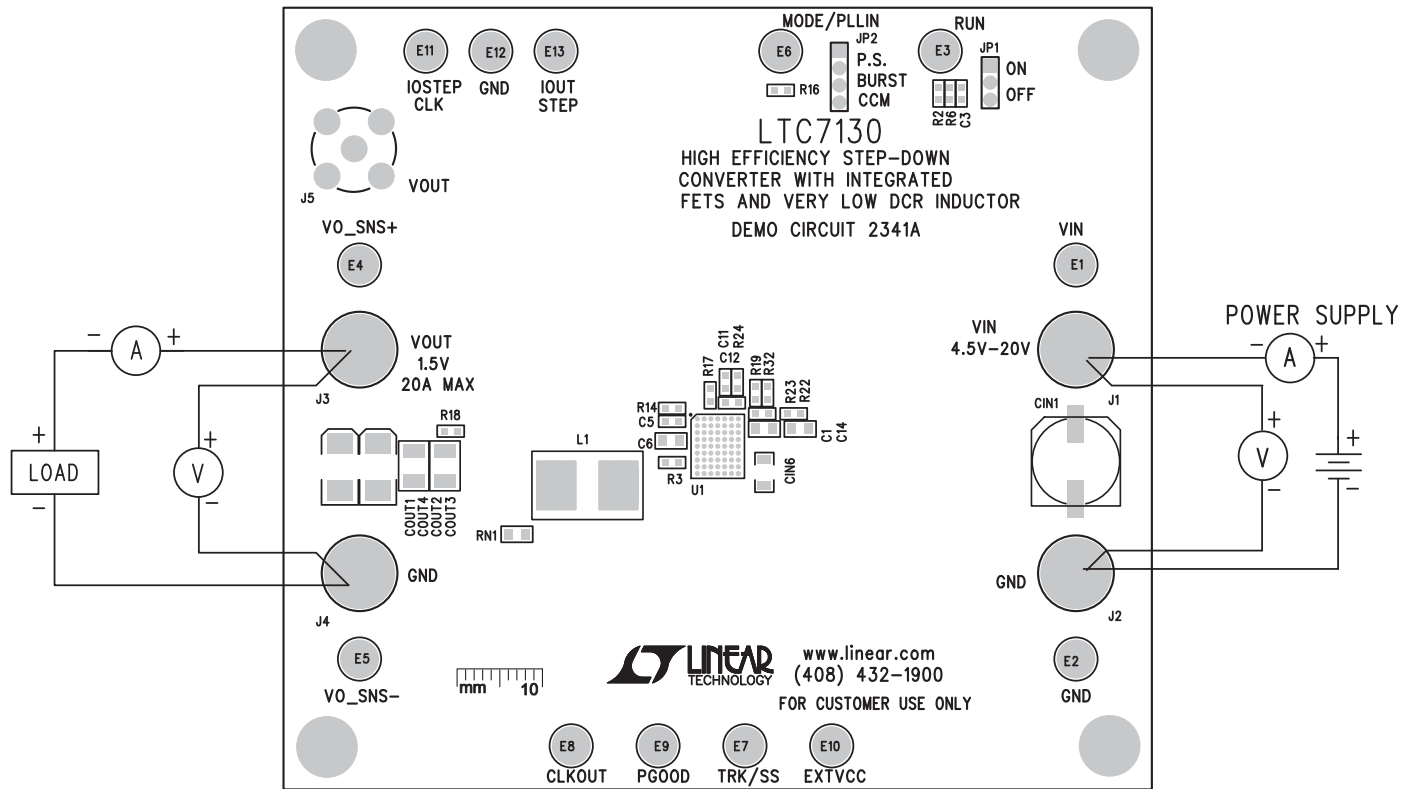


Figure 1. Proper Measurement Equipment Setup

QUICK START PROCEDURE

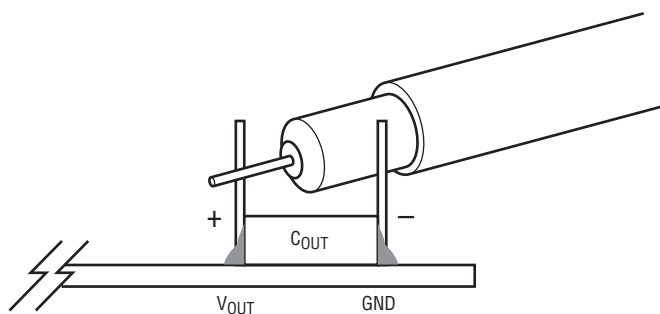


Figure 2. Measuring Output Voltage Ripple

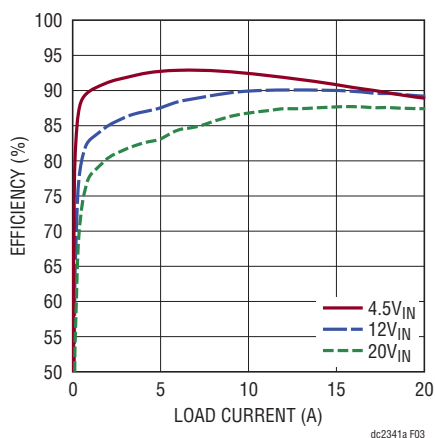


Figure 3. Efficiency vs Load Current ($V_O = 1.5V$, Burst Mode)

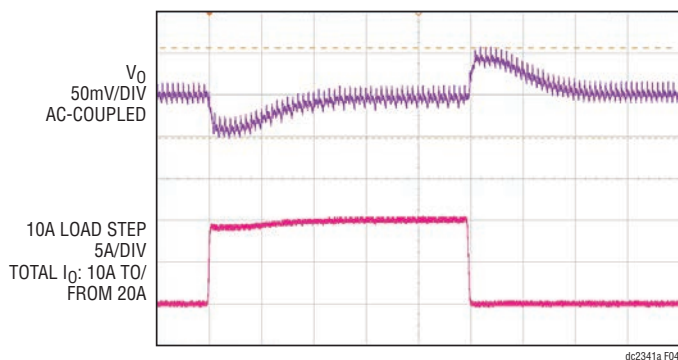


Figure 4. Load Step Transient Test ($V_{IN} = 12V$)



Figure 5. Thermal Picture ($V_{IN} = 12V$, $I_O = 20A$. 21°C Ambient, No Forced Airflow)

DEMO MANUAL DC2341A

PARTS LIST

ITEM	QTY	REFERENCE	PART DESCRIPTION	MANUFACTURER/PART NUMBER
Required Circuit Components				
1	1	CIN1	CAP, ALUM ELEC180µF 20% 25V	PANASONIC., 25SVPF180M
2	2	CIN4, CIN5	CAP, 1210 22µF 20% 25V X5R	AVX, 12103D226MAT2A
3	1	CIN6	CAP, 1206 10µF 20% 25V X5R	AVX, 12063D106MAT2A
4	2	COUT1, COUT4	CAP, 7343 330µF 20% 2.5V POSCAP	PANASONIC, 2R5TPE330M9
5	4	COUT2, COUT3, C15, C16	CAP, 1210 100µF 20% 6.3V X5R	AVX, 12106D107MAT2A
6	2	C1, C17	CAP, 0805 1µF 10% 25V X5R	AVX, 08053D105KAT2A
7	2	C2, C5, C7	CAP, 0603 220nF 10% 25V X5R	MURATA GRM188R71E224KA88D
8	1	C10	CAP, 0603 0.1µF 10% 10V X5R	AVX, 0603ZD104KAT2A
9	1	C11	CAP, 2.2nF X7R 50V 5% 0603	AVX, 06035C222JAT2A
10	1	C12	CAP, 0603 120pF 10% 25V NPO	AVX, 06033A121KAT2A
11	2	C6, C14	CAP, 0805 4.7µF 20% 10V X5R	AVX, 0805ZD475MAT2A
12	1	D1	DOIDE, SCHOTTKY 30V SOD-323	CENTRAL SEMI., CMDSH-3 TR
13	1	L1	IND, 0.25µH	WURTH ELEKTRONIK, 744308025
14	1	Q1	MOSFET, N-CH D-S 40V T0252	VISHAY, SUD50N04-8M8P-4GE3
15	1	R1	RES, 2.2Ω 1/10W 5% 0603	VISHAY, CRCW06032R20JNEA
16	4	R8, R16, R17, R20	RES, 0Ω JUMPER 1/10W 0603	VISHAY, CRCW06030000Z0EA
17	2	R19, R30	RES, 10k 1/10W 5% 0603	VISHAY, CRCW060310K0JNEA
18	1	R28	SENSE RES, 2512 0.01Ω 1% 1W	VISHAY, WSL2512R0100FEA
19	1	R10	RES 0603 100k 1% 1/10W	VISHAY, CRCW0603100KFKEA
20	1	R13	RES 0603 1k 1% 1/10W	VISHAY, CRCW06031K00FKEA
21	1	R4	RES, 0603 619Ω 1% 1/10W	VISHAY, CRCW0603619RFKEA
22	2	R9, R12	RES, 0603 10Ω 5% 1/10W	VISHAY, CRCW060310R0JNEA
23	1	R24	RES, 0603 6.04k 1% 1/10W	VISHAY, CRCW06036K04FKEA
24	2	R3	RES, 0603 2.7Ω 1% 1/10W	VISHAY, CRCW06032R7FKEA
25	1	R23	RES, 0603 124k 1% 1/10W	VISHAY, CRCW0603124KFKEA
26	1	R11	RES, 0603 3.01k 1% 1/10W	VISHAY, CRCW06033K01FKEA
27	1	R5	RES, 0603 3.09k 1% 1/10W	VISHAY, CRCW06033K09FKEA
28	1	R32	RES, 0603 6.65k 1% 1/10W	VISHAY, CRCW06036K65FKEA
29	1	U1	IC, LTC7130EY#PBF	LINEAR TECH., LTC7130EY#PBF
Additional Demo Board Circuit Components				
30	0	COUT5, COUT6 OPT	CAP, 7343 OPTION	
31	0	CIN2, CIN3, (OPT)	CAP, OPTION	
32	0	C3, C4, C8, C9, C13, (OPT)	CAP, 0603 OPTION	
33	0	RN1, R2, R6, R7, R14, R15, R18, R22, R25, R27, R29	RES, 0603 OPTION	
Hardware: For Demo Board Only				
34	13	E1-E13	TESTPOINT, TURRET, 0.094" PbF	MILL-MAX, 2501-2-00-80-00-00-07-0
35	1	JP2	HEADER, 4 PIN 0.079" SINGLE ROW	SULLINS, NRPNO41PAEN-RC
36	1	JP1	HEADER, 3 PIN 0.079" SINGLE ROW	SULLINS, NRPNO31PAEN-RC
37	4	J1-J4	JACK, BANANA	KEYSTONE 575-4
38	1	J5	CONN, BNC, 5 PINS	CONNEX, 112404
39	4	MH1, MH2, MH3, MH4	STAND-OFF, NYLON 0.50" tall	KEYSTONE, 8833
40	2	JP1, JP2	SHUNT, 0.079" CENTER	SAMTEC, 2SN-BK-G

dc2341af

DEMO MANUAL DC2341A

DEMONSTRATION BOARD IMPORTANT NOTICE

Linear Technology Corporation (LTC) provides the enclosed product(s) under the following **AS IS** conditions:

This demonstration board (DEMO BOARD) kit being sold or provided by Linear Technology is intended for use for **ENGINEERING DEVELOPMENT OR EVALUATION PURPOSES ONLY** and is not provided by LTC for commercial use. As such, the DEMO BOARD herein may not be complete in terms of required design-, marketing-, and/or manufacturing-related protective considerations, including but not limited to product safety measures typically found in finished commercial goods. As a prototype, this product does not fall within the scope of the European Union directive on electromagnetic compatibility and therefore may or may not meet the technical requirements of the directive, or other regulations.

If this evaluation kit does not meet the specifications recited in the DEMO BOARD manual the kit may be returned within 30 days from the date of delivery for a full refund. **THE FOREGOING WARRANTY IS THE EXCLUSIVE WARRANTY MADE BY THE SELLER TO BUYER AND IS IN LIEU OF ALL OTHER WARRANTIES, EXPRESSED, IMPLIED, OR STATUTORY, INCLUDING ANY WARRANTY OF MERCHANTABILITY OR FITNESS FOR ANY PARTICULAR PURPOSE. EXCEPT TO THE EXTENT OF THIS INDEMNITY, NEITHER PARTY SHALL BE LIABLE TO THE OTHER FOR ANY INDIRECT, SPECIAL, INCIDENTAL, OR CONSEQUENTIAL DAMAGES.**

The user assumes all responsibility and liability for proper and safe handling of the goods. Further, the user releases LTC from all claims arising from the handling or use of the goods. Due to the open construction of the product, it is the user's responsibility to take any and all appropriate precautions with regard to electrostatic discharge. Also be aware that the products herein may not be regulatory compliant or agency certified (FCC, UL, CE, etc.).

No License is granted under any patent right or other intellectual property whatsoever. **LTC assumes no liability for applications assistance, customer product design, software performance, or infringement of patents or any other intellectual property rights of any kind.**

LTC currently services a variety of customers for products around the world, and therefore this transaction **is not exclusive**.

Please read the DEMO BOARD manual prior to handling the product. Persons handling this product must have electronics training and observe good laboratory practice standards. **Common sense is encouraged.**

This notice contains important safety information about temperatures and voltages. For further safety concerns, please contact a LTC application engineer.

Mailing Address:

Linear Technology
1630 McCarthy Blvd.
Milpitas, CA 95035

Copyright © 2004, Linear Technology Corporation