

Evaluation Board for the **ADV3219/ADV3220** 800 MHz, 2:1 Analog Multiplexers

FEATURES

Full featured evaluation board for the **ADV3219/ADV3220**
 Single board with both 50 Ω and 75 Ω termination
 ± 5 V operation

EVALUATION KIT CONTENTS

ADV3219-EVALZ/ADV3220-EVALZ evaluation board
 Instruction guide for user guide download

EQUIPMENT NEEDED

Signal source or video pattern generator and signal analyzer
 Power supplies (2 V/100 mA and ± 5 V/1 A)
 BNC-to-SMA connector for inputs and output using the 50 Ω terminated board
 BNC-to-BNC connector for inputs and output using the 75 Ω terminated board

GENERAL DESCRIPTION

The **ADV3219** and **ADV3220** are high speed, high slew rate, buffered, 2:1 analog multiplexers. They offer a -3 dB signal bandwidth greater than 800 MHz and channel switch times of less than 20 ns with 1% settling. With -60 dB of crosstalk and

-82 dB isolation (at 100 MHz), the **ADV3219** and **ADV3220** are useful in many high speed applications. The differential gain of less than 0.02% and the differential phase of less than 0.02° , together with 0.1 dB flatness beyond 100 MHz while driving a 75 Ω back terminated load, make the **ADV3219** and **ADV3220** ideal for all types of signal switching.

The **ADV3219/ADV3220** include an output buffer that can be placed into a high impedance state to allow multiple outputs to be connected together for cascading stages without the off channels loading the output bus. The **ADV3219** has a gain of +1, and the **ADV3220** has a gain of +2; both devices operate on ± 5 V supplies while consuming less than 7.5 mA of idle current.

The **ADV3219/ADV3220** are available in an 8-lead LFCSP package over the extended industrial temperature range of -40°C to $+85^\circ\text{C}$.

This user guide provides all of the supporting documentation for working with the **ADV3219-EVALZ/ADV3220-EVALZ** evaluation board. Additional information is available in the **ADV3219/ADV3220** data sheet, which should be consulted in conjunction with this user guide when working with the evaluation board.

EVALUATION BOARD PHOTOGRAPH AND BLOCK DIAGRAM

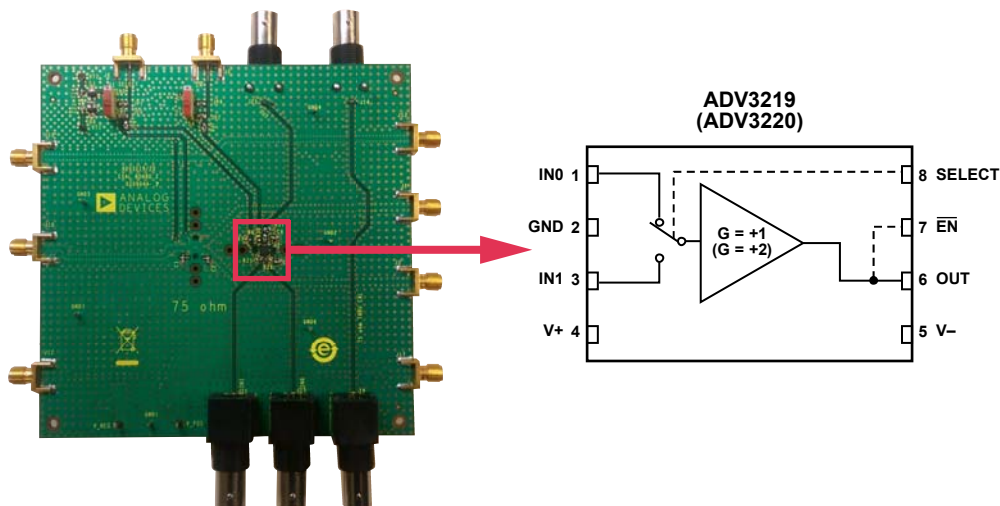


Figure 1.

13241-001

TABLE OF CONTENTS

Features	1	Power Supply.....	3
Evaluation Kit Contents.....	1	Analog Inputs.....	3
Equipment Needed.....	1	Analog Output	3
General Description	1	$\overline{\text{EN}}$ and Select Logic Inputs	3
Evaluation Board Photograph and Block Diagram.....	1	Quick Start Guide.....	3
Revision History	2	Evaluation Board Schematics and Artwork.....	5
Evaluation Board Hardware.....	3	Ordering Information.....	8
Introduction	3	Bill of Materials.....	8

REVISION HISTORY

6/15—Revision 0: Initial Version

EVALUATION BOARD HARDWARE

INTRODUCTION

The [ADV3219-EVALZ/ADV3220-EVALZ](#) evaluation board allows the user to easily evaluate the [ADV3219/ADV3220](#) in both the 50 Ω and 75 Ω terminations. Figure 2 shows the typical bench setup used to evaluate the 2:1 analog multiplexers.

POWER SUPPLY

This evaluation board requires a typical ± 5 V power supply for the analog circuitry and a minimum of 2 V single supply for the digital circuitry. Connect the supplies as shown in Figure 2.

ANALOG INPUTS

Drive the inputs, IN0 and IN1, with a waveform generator for the 50 Ω terminated board or with a video pattern generator for the 75 Ω terminated board, or any signal source that can provide an input voltage of ± 3 V for the [ADV3219](#) and ± 1.5 V for the [ADV3220](#).

ANALOG OUTPUT

The output, OUT, of this evaluation board produces a voltage of ± 3 V only for both the [ADV3219](#) and [ADV3220](#). The waveform signal from this output can be checked using a signal analyzer such as an oscilloscope or a display/monitor.

EN AND SELECT LOGIC INPUTS

Pin SELECT is a logic input used for selecting the desired source of the analog input. A switch, S1, is used to select IN0 and IN1.

Pin $\overline{\text{EN}}$, represented by S4, is a logic input used to enable or set OUT to high impedance.

Both the SELECT and $\overline{\text{EN}}$ pins require a minimum of 2 V to set in high mode, and a maximum of 0.8 V to set in low mode.

Table 1 shows the truth table in setting the input.

Table 1. Input Setting Truth Table

SELECT	$\overline{\text{EN}}$	OUT
0	0	IN0
1	0	IN1
0	1	High-Z
1	1	High-Z

QUICK START GUIDE

To get started, take the following steps:

1. Remove the [ADV3219-EVALZ/ADV3220-EVALZ](#) evaluation board from the box.
2. Connect +5 V to V_POS, connect -5 V to V_NEG, and connect GND to GND1.

For the 50 Ω terminated side:

1. Connect both VT1 and VT2 to GND. Set S1 to IN0. Set S4 to on.
2. Connect an input signal that is within the input voltage range of the device through the BNC-to-SMA connector between the signal generator and IN0.
3. Connect an oscilloscope or a display/monitor to OUT through the BNC-to-SMA connector. OUT produces the signal from IN0.
4. To set IN1 as the input, connect 2 V to VT2, connect GND to VT1, and set S1 to IN1. Then, apply an input signal to IN1.

For the 75 Ω terminated side:

1. Connect both VT1 and VT2 to GND. Set S1 to IN0. Set S4 to on.
2. Connect an input signal that is within the input voltage range of the device through the BNC-to-BNC connector between the signal generator or video pattern generator and IN1.
3. Connect an oscilloscope or a display/monitor to OUT through the BNC-to-BNC connector. OUT produces the signal from IN1.
4. To set IN0 as the input, connect 2 V to VT2, connect GND to VT1, and set S1 to IN1. Then, apply an input signal to IN0.

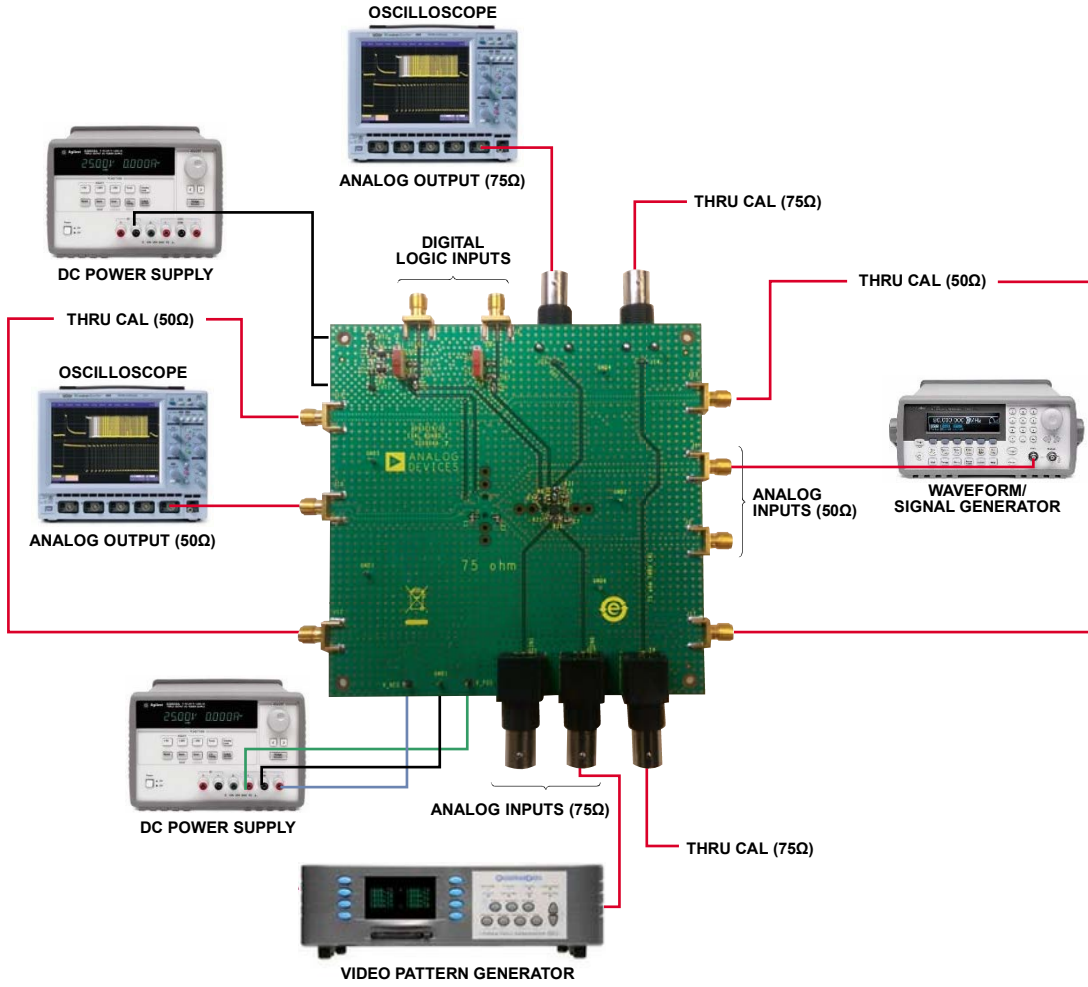


Figure 2. Typical Evaluation Setup

13241-002

EVALUATION BOARD SCHEMATICS AND ARTWORK

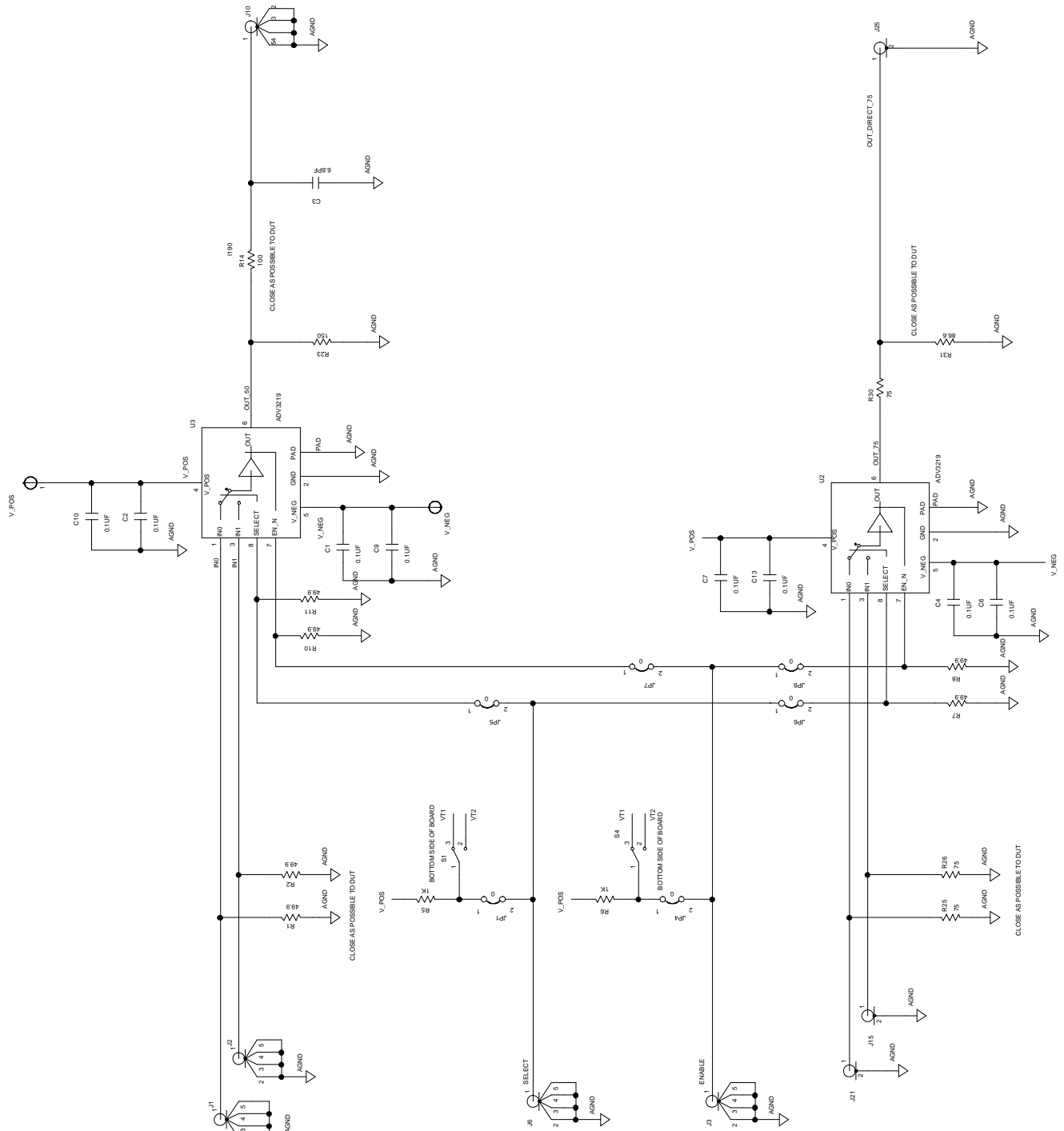
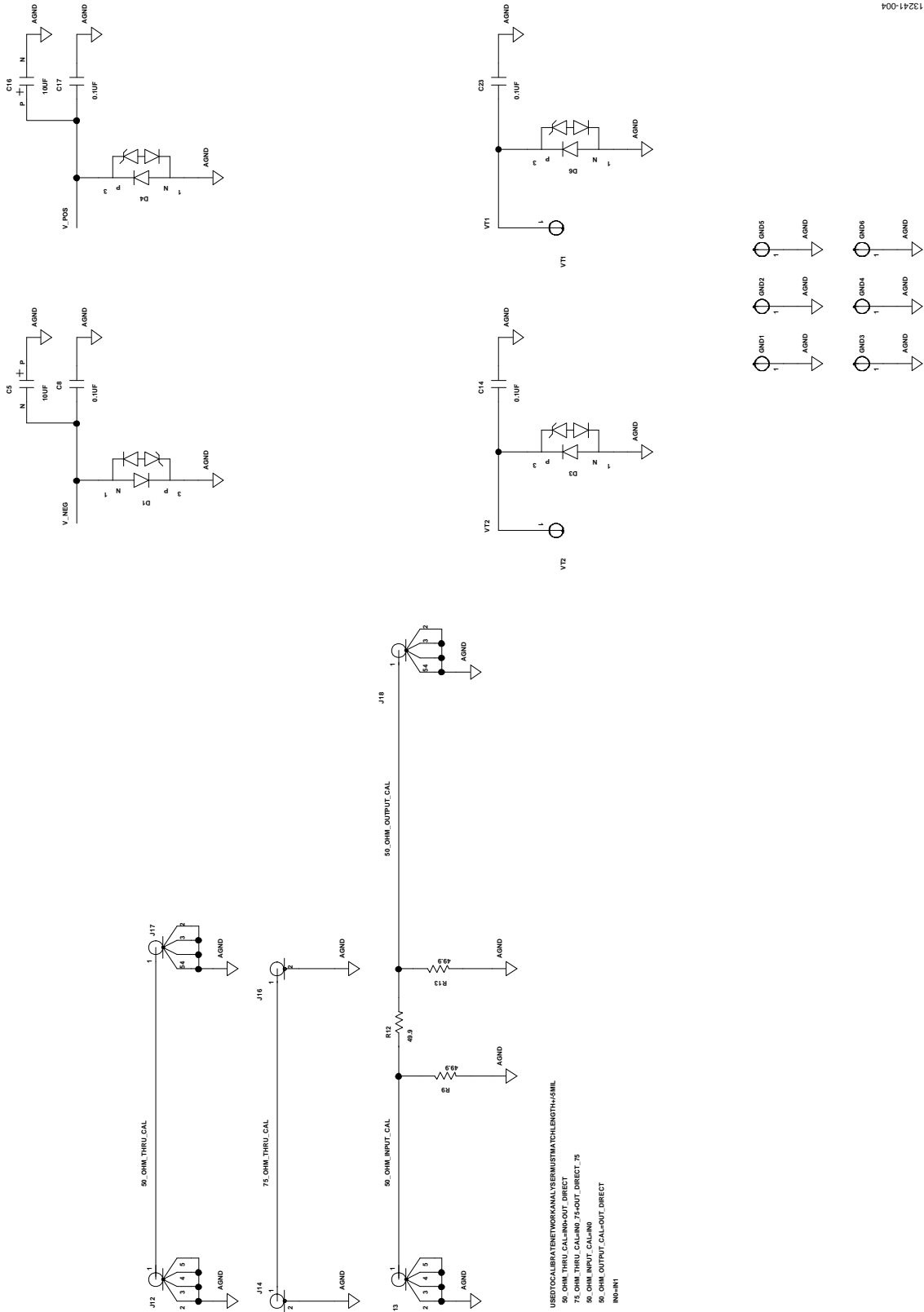
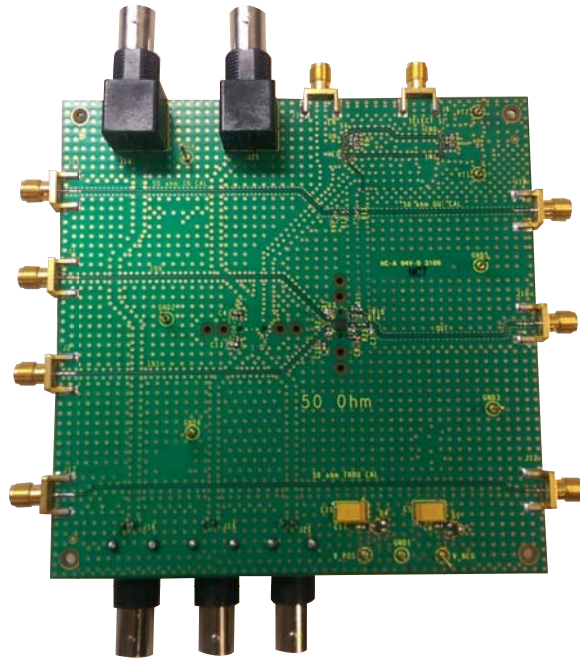


Figure 3. Evaluation Board Schematic—DUT Circuit for 50 Ω and 75 Ω Termination



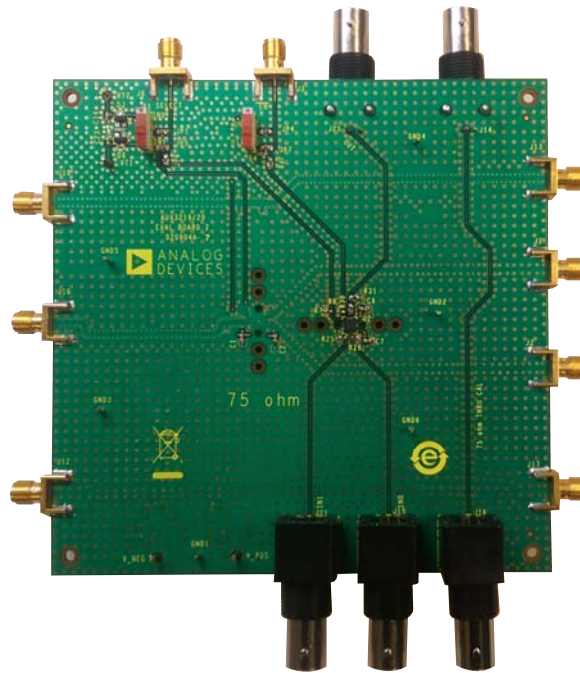
13241-004

Figure 4. Evaluation Board Schematic—Thru Cal Circuit, Logic Supplies, and Power Supplies



13241-005

Figure 5. ADV3219-EVALZ/ADV3220-EVALZ Evaluation Board, 50 Ω Side



13241-006

Figure 6. ADV3219-EVALZ/ADV3220-EVALZ Evaluation Board, 75 Ω Side

ORDERING INFORMATION

BILL OF MATERIALS

Table 2.

Item	Qty	Description	Manufacturer	Manufacturer Part No.	Reference Designator
1	12	Capacitor, ceramic, 0.1 μ F	Panasonic	ECJ-1VB1C104K	C1, C2, C4, C6 to C10, C13, C14, C17, C23
2	2	Capacitor, standard, tantalum, 10 μ F	AVX	TAJD106K050RNJ	C5, C16
3	1	Capacitor, ceramic, 6.8 pF	Samsung	CL05C6R8DBNC	C3
4	4	Unidirectional TVS	Diodes, Inc.	DLP05LC-7-F	D1, D3, D4, D6
5	10	Connector, PCB, pin vector	Vector	K24A	VT1, VT2, GND1 to GND6, V_NEG, V_POS
6	9	Connector, PCB, coaxial, SMA end launch	Johnson	142-0701-851	J1 to J3, J6 to J10, J12, J13, J17, J18
7	5	Connector, PCB, BNC, RA insulated, PCB socket, 75 Ω , BLK	Tyco Electronics	1-1634622-0	J14 to J16, J21, J25
8	6	Resistor, jumper, SMD, 0805 (short), 0 Ω	Panasonic	ERJ-6GEYJ0.0	JP1, JP4 to JP8
9	6	Resistor, ultra precision, ultra reliability, MF chip, 49.9 Ω	Susumu	RG1005P-49R9-B-T5	R1, R2, R7, R8, R10, R11
10	3	Resistor, precision, thick film chip, R0402, 49.9 Ω	Panasonic	ERJ-2RKF49R9X	R9, R12, R13
11	1	Resistor, film, SMD, 0402, 100 Ω	Venkel	CR0402-16W-1000 FPT	R14
12	1	Resistor, ultra precision, ultra reliability, MF chip, 150 Ω	Susumu	RG1005P-151-B-T5	R23
13	2	Resistor, precision, thick film chip, R0402, 75 Ω	Panasonic	ERJ-2RKF75R0X	R25, R26
14	1	Resistor, film, SMD, 0603, 75 Ω	Vishay	P0603E75R0BBT	R30
15	1	Resistor, thick film chip, 86.6 Ω	Panasonic	ERJ-3EKF86R6V	R31
16	2	Resistor, precision, thick film chip, R0805, 1 k Ω	Panasonic	ERJ-6ENF1001V	R5, R6
17	2	Switch, PCB mount slide	SECMA	09-03-201-02	S1, S4
18	2	IC, 800 MHz, 2:1 buffered analog multiplexer	Analog Devices, Inc.	ADV3219 or ADV3220	U2, U3

NOTES



ESD Caution

ESD (electrostatic discharge) sensitive device. Charged devices and circuit boards can discharge without detection. Although this product features patented or proprietary protection circuitry, damage may occur on devices subjected to high energy ESD. Therefore, proper ESD precautions should be taken to avoid performance degradation or loss of functionality.

Legal Terms and Conditions

By using the evaluation board discussed herein (together with any tools, components documentation or support materials, the "Evaluation Board"), you are agreeing to be bound by the terms and conditions set forth below ("Agreement") unless you have purchased the Evaluation Board, in which case the Analog Devices Standard Terms and Conditions of Sale shall govern. Do not use the Evaluation Board until you have read and agreed to the Agreement. Your use of the Evaluation Board shall signify your acceptance of the Agreement. This Agreement is made by and between you ("Customer") and Analog Devices, Inc. ("ADI"), with its principal place of business at One Technology Way, Norwood, MA 02062, USA. Subject to the terms and conditions of the Agreement, ADI hereby grants to Customer a free, limited, personal, temporary, non-exclusive, non-sublicensable, non-transferable license to use the Evaluation Board FOR EVALUATION PURPOSES ONLY. Customer understands and agrees that the Evaluation Board is provided for the sole and exclusive purpose referenced above, and agrees not to use the Evaluation Board for any other purpose. Furthermore, the license granted is expressly made subject to the following additional limitations: Customer shall not (i) rent, lease, display, sell, transfer, assign, sublicense, or distribute the Evaluation Board; and (ii) permit any Third Party to access the Evaluation Board. As used herein, the term "Third Party" includes any entity other than ADI, Customer, their employees, affiliates and in-house consultants. The Evaluation Board is NOT sold to Customer; all rights not expressly granted herein, including ownership of the Evaluation Board, are reserved by ADI. CONFIDENTIALITY. This Agreement and the Evaluation Board shall all be considered the confidential and proprietary information of ADI. Customer may not disclose or transfer any portion of the Evaluation Board to any other party for any reason. Upon discontinuation of use of the Evaluation Board or termination of this Agreement, Customer agrees to promptly return the Evaluation Board to ADI. ADDITIONAL RESTRICTIONS. Customer may not disassemble, decompile or reverse engineer chips on the Evaluation Board. Customer shall inform ADI of any occurred damages or any modifications or alterations it makes to the Evaluation Board, including but not limited to soldering or any other activity that affects the material content of the Evaluation Board. Modifications to the Evaluation Board must comply with applicable law, including but not limited to the RoHS Directive. TERMINATION. ADI may terminate this Agreement at any time upon giving written notice to Customer. Customer agrees to return to ADI the Evaluation Board at that time. LIMITATION OF LIABILITY. THE EVALUATION BOARD PROVIDED HEREUNDER IS PROVIDED "AS IS" AND ADI MAKES NO WARRANTIES OR REPRESENTATIONS OF ANY KIND WITH RESPECT TO IT. ADI SPECIFICALLY DISCLAIMS ANY REPRESENTATIONS, ENDORSEMENTS, GUARANTEES, OR WARRANTIES, EXPRESS OR IMPLIED, RELATED TO THE EVALUATION BOARD INCLUDING, BUT NOT LIMITED TO, THE IMPLIED WARRANTY OF MERCHANTABILITY, TITLE, FITNESS FOR A PARTICULAR PURPOSE OR NON-INFRINGEMENT OF INTELLECTUAL PROPERTY RIGHTS. IN NO EVENT WILL ADI AND ITS LICENSORS BE LIABLE FOR ANY INCIDENTAL, SPECIAL, INDIRECT, OR CONSEQUENTIAL DAMAGES RESULTING FROM CUSTOMER'S POSSESSION OR USE OF THE EVALUATION BOARD, INCLUDING BUT NOT LIMITED TO LOST PROFITS, DELAY COSTS, LABOR COSTS OR LOSS OF GOODWILL. ADI'S TOTAL LIABILITY FROM ANY AND ALL CAUSES SHALL BE LIMITED TO THE AMOUNT OF ONE HUNDRED US DOLLARS (\$100.00). EXPORT. Customer agrees that it will not directly or indirectly export the Evaluation Board to another country, and that it will comply with all applicable United States federal laws and regulations relating to exports. GOVERNING LAW. This Agreement shall be governed by and construed in accordance with the substantive laws of the Commonwealth of Massachusetts (excluding conflict of law rules). Any legal action regarding this Agreement will be heard in the state or federal courts having jurisdiction in Suffolk County, Massachusetts, and Customer hereby submits to the personal jurisdiction and venue of such courts. The United Nations Convention on Contracts for the International Sale of Goods shall not apply to this Agreement and is expressly disclaimed.

©2015 Analog Devices, Inc. All rights reserved. Trademarks and registered trademarks are the property of their respective owners.
UG13241-0-6/15(0)



www.analog.com