

The specifications for the **LTC<sup>®</sup>1263** SO-8 package now include the Industrial grade. The Typical Application "5V to 3.3V/5A Converter with 12V/60mA Auxiliary Output" has also been updated. All changes are shown in **bold**. For complete specifications, typical performance curves and applications information, please see the **LTC1263** data sheet.

LT, LTC and LT are registered trademarks of Linear Technology Corporation.

## ABSOLUTE MAXIMUM RATINGS

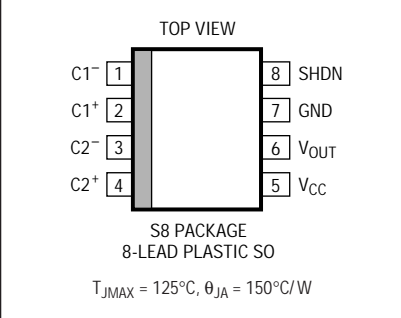
Operating Temperature Range

LTC1263CS8 ..... 0°C to 70°C

LTC1263IS8 ..... -40°C TO 85°C

Junction Temperature (Note 2) ..... 125°C

## PACKAGE/ORDER INFORMATION

	ORDER PART NUMBER
	LTC1263CS8 LTC1263IS8
	S8 PART MARKING
	1263 1263I

## ELECTRICAL CHARACTERISTICS $4.75 < V_{CC} < 55V, T_A = 25^\circ C$ (Note 3)

Note 2:  $T_J$  is calculated from the ambient temperature  $T_A$  and power dissipation  $P_D$  according to the following formula:

$$T_J = T_A + (P_D \cdot 150^\circ C/W)$$

Note 3: All currents into device pins are positive; all currents out of the device pins are negative. All voltages are referenced to ground unless otherwise specified.

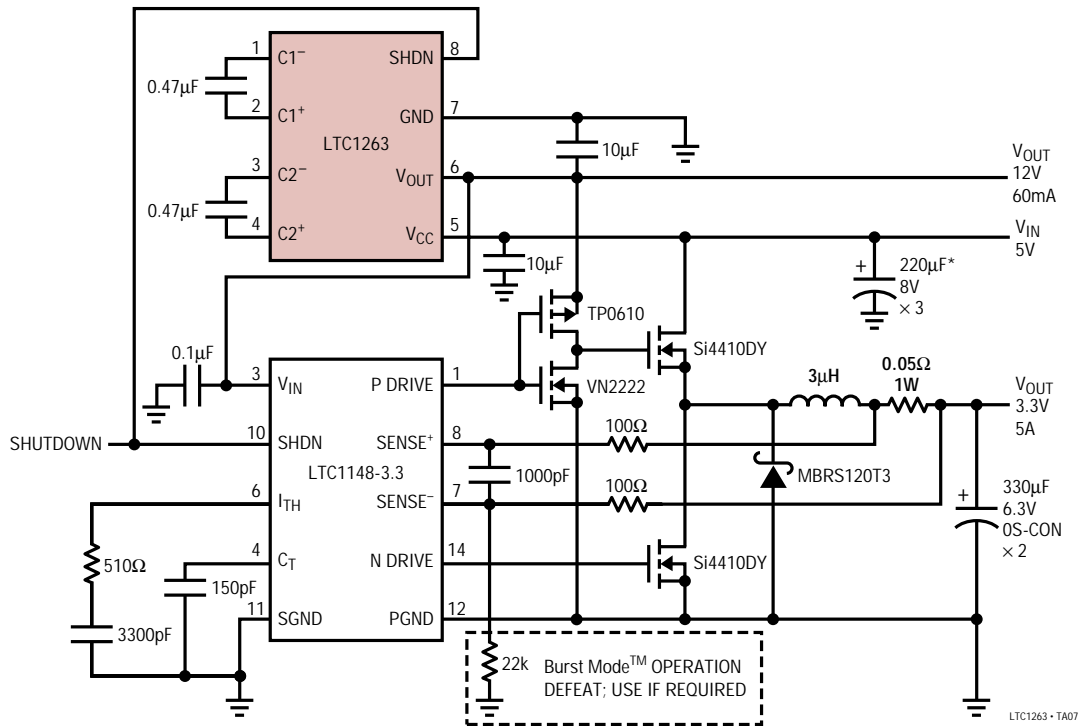
For further information regarding this specification notice contact:

Linear Technology Corporation  
 1630 McCarthy Blvd.  
 Milpitas, California 95035-7417  
 Attn: Product Marketing Manager  
 Phone: (408) 432-1900

# SPECIFICATION NOTICE

## TYPICAL APPLICATION

5V to 3.3V/5A Converter with 12V/60mA Auxiliary Output



\*PANASONIC BCGCOKB220R OR EQUIVALENT  
Burst Mode IS A TRADEMARK OF LINEAR TECHNOLOGY CORPORATION.