

RELIABILITY REPORT
FOR
MAX962ExA
PLASTIC ENCAPSULATED DEVICES

May 21, 2002

MAXIM INTEGRATED PRODUCTS

120 SAN GABRIEL DR.

SUNNYVALE, CA 94086

Written by



Jim Pedicord
Quality Assurance
Reliability Lab Manager

Reviewed by



Bryan J. Preeshl
Quality Assurance
Executive Director

Conclusion

The MAX962 successfully meets the quality and reliability standards required of all Maxim products. In addition, Maxim's continuous reliability monitoring program ensures that all outgoing product will continue to meet Maxim's quality and reliability standards.

Table of Contents

I.Device Description	V.Quality Assurance Information
II.Manufacturing Information	VI.Reliability Evaluation
III.Packaging Information	
IV.Die InformationAttachments

I. Device Description

A. General

The MAX962 is a high-speed, dual comparator with internal hysteresis. This device is optimized for single +3V or +5V operation. The input common-mode range extends 100mV beyond both supply rails, and the output can sink or source 4mA to within 0.52V of GND and V_{CC} . Propagation delay is under 7ns (5mV overdrive), while supply current is 5.5mA/comparator.

B. Absolute Maximum Ratings

<u>Item</u>	<u>Rating</u>
Supply Voltage, VCC to GND	-0.3V to +6V
All Other Pins	-0.3V to (VCC + 0.3V)
Duration of Output Short Circuit to GND or VCC	Continuous
Operating Temperature Range	-40°C to +85°C
Storage Temperature Range	-65°C to +160°C
Lead Temperature (soldering, 10sec)	+300°C
Continuous Power Dissipation (TA = +70°C)	
8-Pin SO	471mW
8-Pin μ MAX	330mW
Derates above +70°C	
8-Pin SO	5.88mW/°C
8-Pin μ MAX	4.10mW/°C

II. Manufacturing Information

A. Description/Function:	High-Speed, 3V/5V, Rail-to-Rail, Single-Supply Comparator
B. Process:	CB20
C. Number of Device Transistors:	286
D. Fabrication Location:	Oregon, USA
E. Assembly Location:	Philippines, Malaysia, or Thailand
F. Date of Initial Production:	September, 1996

III. Packaging Information

A. Package Type:	8-Lead Small Outline	8-Lead uMAX
B. Lead Frame:	Copper	Copper
C. Lead Finish:	Solder Plate	Solder Plate
D. Die Attach:	Silver-filled Epoxy	Silver-filled Epoxy
E. Bondwire:	Gold (1.3 mil dia.)	Gold (1.3 mil dia.)
F. Mold Material:	Epoxy with silica filler	Epoxy with silica filler
G. Assembly Diagram:	# 05-1501-0151	# 05-1501-0152
H. Flammability Rating:	Class UL94-V0	Class UL94-V0

IV. Die Information

A. Dimensions:	54 x 82 mils
B. Passivation:	$\text{Si}_3\text{N}_4/\text{SiO}_2$ (Silicon nitride/ Silicon dioxide)
C. Interconnect:	Aluminum/Copper/Si (Si = 1%)
D. Backside Metallization:	None
E. Minimum Metal Width:	Metal1: 6; Metal2: 8 microns (as drawn)
F. Minimum Metal Spacing:	Metal1: 2; Metal2: 3 microns (as drawn)
G. Bondpad Dimensions:	5 mil. Sq.
H. Isolation Dielectric:	SiO_2
I. Die Separation Method:	Wafer Saw

V. Quality Assurance Information


- A. Quality Assurance Contacts: Jim Pedicord (Manager, Reliability Operations)
Bryan Preeshl (Executive Director)
Kenneth Huening (Vice President)
- B. Outgoing Inspection Level: 0.1% for all electrical parameters guaranteed by the Datasheet.
0.1% For all Visual Defects.
- C. Observed Outgoing Defect Rate: < 50 ppm
- D. Sampling Plan: Mil-Std-105D

VI. Reliability Evaluation

A. Accelerated Life Test

The results of the 135°C biased (static) life test are shown in **Table 1**. Using these results, the Failure Rate (λ) is calculated as follows:

$$\lambda = \frac{1}{\text{MTTF}} = \frac{1.83}{192 \times 4389 \times 160 \times 2} \quad (\text{Chi square value for MTTF upper limit})$$

 Temperature Acceleration factor assuming an activation energy of 0.8eV

$$\lambda = 6.79 \times 10^{-9}$$

$$\lambda = 6.79 \text{ F.I.T. (60\% confidence level @ 25°C)}$$

This low failure rate represents data collected from Maxim's reliability monitor program. In addition to routine production Burn-In, Maxim pulls a sample from every fabrication process three times per week and subjects it to an extended Burn-In prior to shipment to ensure its reliability. The reliability control level for each lot to be shipped as standard product is 59 F.I.T. at a 60% confidence level, which equates to 3 failures in an 80 piece sample. Maxim performs failure analysis on any lot that exceeds this reliability control level. Attached Burn-In Schematic (Spec. # 06-5230) shows the static Burn-In circuit. Maxim also performs quarterly 1000 hour life test monitors. This data is published in the Product Reliability Report (**RR-1M**).

B. Moisture Resistance Tests

Maxim pulls pressure pot samples from every assembly process three times per week. Each lot sample must meet an LTPD = 20 or less before shipment as standard product. Additionally, the industry standard 85°C/85%RH testing is done per generic device/package family once a quarter.

C. E.S.D. and Latch-Up Testing

The CM42 die type has been found to have all pins able to withstand a transient pulse of $\pm 2000\text{V}$, per Mil-Std-883 Method 3015 (reference attached ESD Test Circuit). Latch-Up testing has shown that this device withstands a current of $\pm 250\text{mA}$.

Table 1
Reliability Evaluation Test Results

MAX962ExA

TEST ITEM	TEST CONDITION	FAILURE IDENTIFICATION	PACKAGE	SAMPLE SIZE	NUMBER OF FAILURES
Static Life Test (Note 1)					
	Ta = 135°C Biased Time = 192 hrs.	DC Parameters & functionality		180	0
Moisture Testing (Note 2)					
Pressure Pot	Ta = 121°C P = 15 psi. RH= 100% Time = 168hrs.	DC Parameters & functionality	SO uMAX	77 77	0 0
85/85	Ta = 85°C RH = 85% Biased Time = 1000hrs.	DC Parameters & functionality		77	0
Mechanical Stress (Note 2)					
Temperature Cycle	-65°C/150°C 1000 Cycles Method 1010	DC Parameters & functionality		77	0

Note 1: Life Test Data may represent plastic DIP qualification lots.

Note 2: Generic Package/Process data

Attachment #1

TABLE II. Pin combination to be tested. 1/ 2/

	Terminal A (Each pin individually connected to terminal A with the other floating)	Terminal B (The common combination of all like-named pins connected to terminal B)
1.	All pins except V_{PS1} <u>3/</u>	All V_{PS1} pins
2.	All input and output pins	All other input-output pins

1/ Table II is restated in narrative form in 3.4 below.

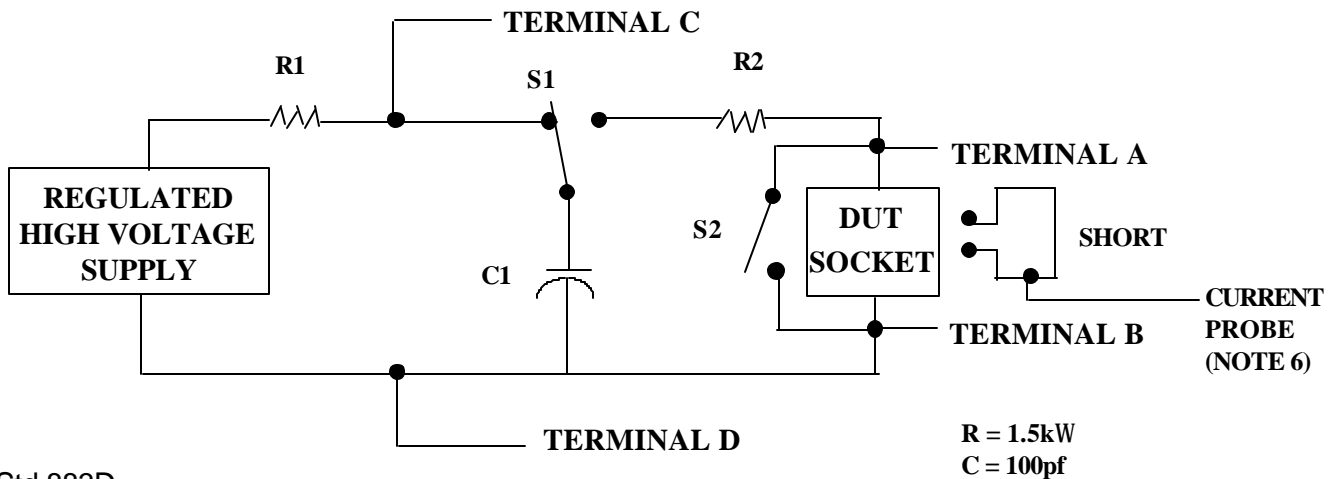
2/ No connects are not to be tested.

3/ Repeat pin combination I for each named Power supply and for ground

(e.g., where V_{PS1} is V_{DD} , V_{CC} , V_{SS} , V_{BB} , GND, $+V_S$, $-V_S$, V_{REF} , etc).

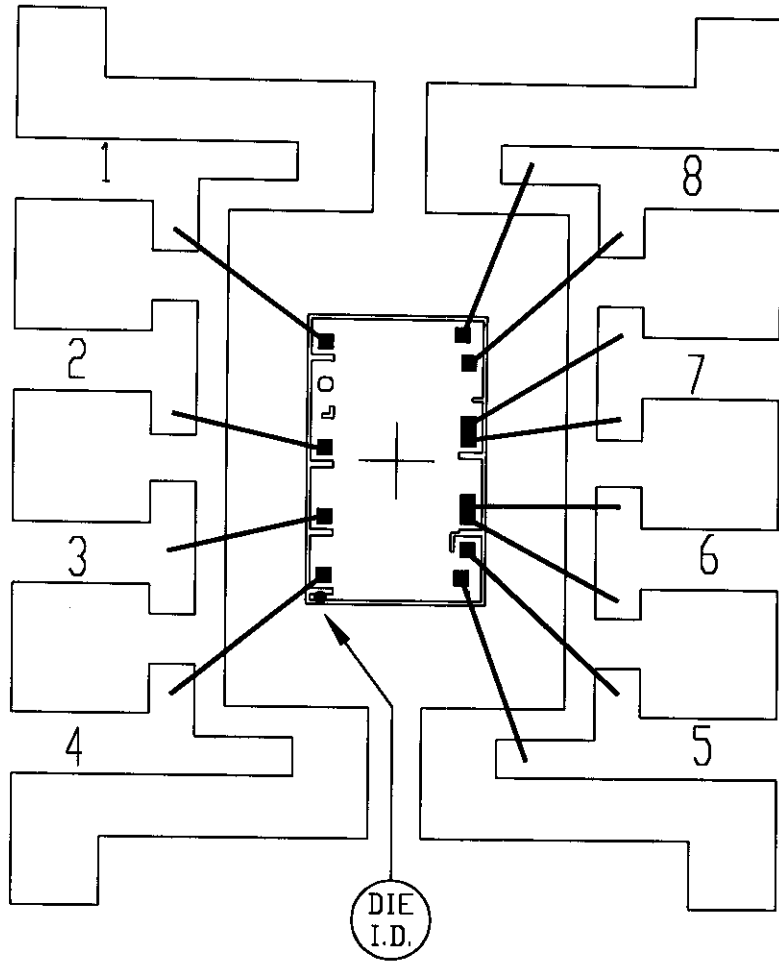
3.4 Pin combinations to be tested.

- a. Each pin individually connected to terminal A with respect to the device ground pin(s) connected to terminal B. All pins except the one being tested and the ground pin(s) shall be open.
- b. Each pin individually connected to terminal A with respect to each different set of a combination of all named power supply pins (e.g., V_{SS1} , or V_{SS2} or V_{SS3} or V_{CC1} , or V_{CC2}) connected to terminal B. All pins except the one being tested and the power supply pin or set of pins shall be open.
- c. Each input and each output individually connected to terminal A with respect to a combination of all the other input and output pins connected to terminal B. All pins except the input or output pin being tested and the combination of all the other input and output pins shall be open.

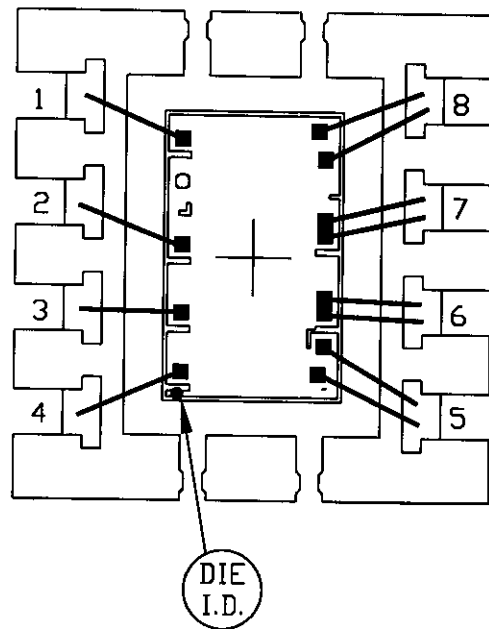


Mil Std 883D
Method 3015.7
Notice 8

V. Quality Assurance Information



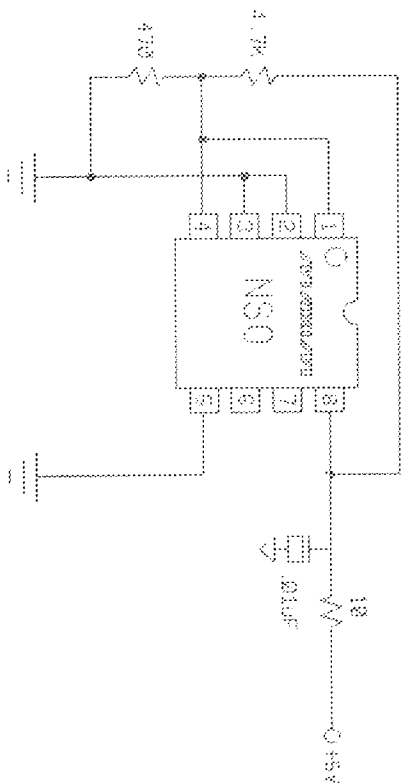
PKG.CODE: S8-4		APPROVALS	DATE	MAXIM	
CAV./PAD SIZE: 90 X 130	PKG. DESIGN			BUILDSHEET NUMBER: 05-1501-0151	REV: A



PKG.CODE: U8-1		APPROVALS	DATE	MAXIM	
CAV./PAD SIZE: 68X94	PKG. DESIGN			BUILDSHEET NUMBER: 05-1501-0152	REV.: A

ONCE PER BOARD

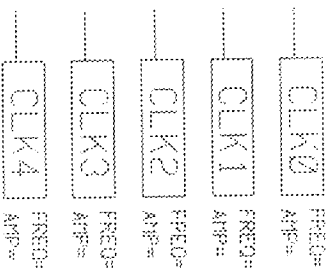
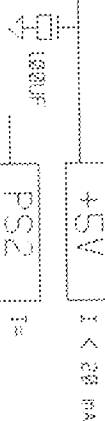
ONCE PER DEVICE



... STEADY STATE LIFE TEST IS PER MIL-STD-883 METHOD 1005.
 ... BURN-IN IS PER MIL-STD-883 METHOD 1015, COND. B

NOTES:

1. TEMPERATURE: 125C OR EQUIVALENT
2. TIME: 168 HOURS MIN. OR EQUIVALENT
3. ALL COMPONENTS AND MATERIAL MUST STAY 125C CONTINUOUS
4. APPROVED FOR D73 COMMERCIAL
 C31 HP/893



SPEC. NO. 06-5230 REV: A

DATE: 8/29/98

DRAWN BY:

MAXIM BURN-IN SCHEMATIC
 DEVICE TYPE(S):

MAX961/MAX962