

RELIABILITY REPORT
FOR
MAX932xxA
PLASTIC ENCAPSULATED DEVICES

May 19, 2003

MAXIM INTEGRATED PRODUCTS

120 SAN GABRIEL DR.

SUNNYVALE, CA 94086

Written by



Jim Pedicord
Quality Assurance
Reliability Lab Manager

Reviewed by



Bryan J. Preeshl
Quality Assurance
Executive Director

Conclusion

The MAX932 successfully meets the quality and reliability standards required of all Maxim products. In addition, Maxim's continuous reliability monitoring program ensures that all outgoing product will continue to meet Maxim's quality and reliability standards.

Table of Contents

I.Device Description	V.Quality Assurance Information
II.Manufacturing Information	VI.Reliability Evaluation
III.Packaging Information	
IV.Die InformationAttachments

I. Device Description

A. General

The MAX932 dual micropower, low-voltage comparator plus an on-board 2% accurate reference features the lowest power consumption available. This comparator includes an internal $1.182V \pm 2\%$ voltage reference, programmable hysteresis, and TTL/CMOS outputs that sink and source current.

Ideal for 3V or 5V single-supply applications, the MAX932 operates from a single +2.5V to +11V supply (or a $\pm 1.25V$ to $\pm 5V$ dual supply), and each comparator's input voltage range extends from the negative supply rail to within 1.3V of the positive supply.

The MAX932 unique output stage continuously sources as much as 40mA. And by eliminating power-supply glitches that commonly occur when comparators change logic states, the MAX932 minimizes parasitic feedback, making it easier to use.

The single MAX932 provides a unique and simple method for adding hysteresis without feedback and complicated equations, using the HYST pin and two resistors.

B. Absolute Maximum Ratings

<u>Item</u>	<u>Rating</u>
V+ to V-, V+ to GND, GND to V- Inputs	-0.3V, +12V
Current, IN+, IN-, HYST	20mA
Voltage, IN+, IN-, HYST	(V+ + 0.3V) to (V- - 0.3V)
Outputs	
Current, REF	20mA
Current, OUT_	50mA
Voltage, REF	(V+ + 0.3V) to (V- - 0.3V)
Voltage, OUT_	(V+ + 0.3V) to (V- - 0.3V)
OUT_ Short-Circuit Duration (V+ \geq 5.5V)	Continuous
Operating Temperature Ranges:	
MAX932C	0°C to +70°C
MAX932E	-40°C to +85°C
Storage Temperature Range	-65°C to +150°C
Lead Temperature (soldering, 10sec)	+300°C
Continuous Power Dissipation (TA = 70°C)	
8-Pin SO	471mW
8-Pin PDIP	727mW
8-Pin uMAX	330mW
Derates above +70°C	
8-Pin SO	5.88mW/°C
8-Pin PDIP	9.09mW/°C
8-Pin uMAX	4.1mW/°C

II. Manufacturing Information

A. Description/Function:	Ultra Low-Power, Low-Cost Comparators with 2% Reference
B. Process:	S3 [(SG3) - Standard 3 micron silicon gate CMOS]
C. Number of Device Transistors:	164
D. Fabrication Location:	Oregon, USA
E. Assembly Location:	Malaysia, Thailand or Philippines
F. Date of Initial Production:	October, 1994

III. Packaging Information

A. Package Type:	8 Lead SO	8 Lead PDIP	8 Lead uMax
B. Lead Frame:	Copper	Copper	Copper
C. Lead Finish:	Solder Plate	Solder Plate	Solder Plate
D. Die Attach:	Silver-filled Epoxy	Silver-filled Epoxy	Silver-filled Epoxy
E. Bondwire:	Gold (1.0 mil dia.)	Gold (1.0 mil dia.)	Gold (1.0 mil dia.)
F. Mold Material:	Epoxy with silica filler	Epoxy with silica filler	Epoxy with silica filler
G. Assembly Diagram:	# 05-1501-0129	# 05-1501-0128	# 05-1501-0130
H. Flammability Rating:	Class UL94-V0	Class UL94-V0	Class UL94-V0
I. Classification of Moisture Sensitivity per JEDEC standard JESD22-A112:	Level 1	Level 1	Level 1

IV. Die Information

A. Dimensions:	77 x 58 mils
B. Passivation:	Si ₃ N ₄ /SiO ₂ (Silicon nitride/ Silicon dioxide)
C. Interconnect:	Aluminum/Si (Si = 1%)
D. Backside Metallization:	None
E. Minimum Metal Width:	3 microns (as drawn)
F. Minimum Metal Spacing:	3 microns (as drawn)
G. Bondpad Dimensions:	5 mil. Sq.
H. Isolation Dielectric:	SiO ₂
I. Die Separation Method:	Wafer Saw

V. Quality Assurance Information

A. Quality Assurance Contacts:

Jim Pedicord (Manager of Reliability Operations)
Bryan Preeshl (Executive Director of QA)
Kenneth Huening (Vice President)

B. Outgoing Inspection Level: 0.1% for all electrical parameters guaranteed by the Datasheet.
0.1% For all Visual Defects.

C. Observed Outgoing Defect Rate: < 50 ppm

D. Sampling Plan: Mil-Std-105D

VI. Reliability Evaluation

A. Accelerated Life Test

The results of the 135°C biased (static) life test are shown in **Table 1**. Using these results, the Failure Rate (λ) is calculated as follows:

$$\lambda = \frac{1}{\text{MTTF}} = \frac{1.83}{192 \times 4389 \times 584 \times 2} \quad (\text{Chi square value for MTTF upper limit})$$

└ Thermal acceleration factor assuming a 0.8eV activation energy

$$\lambda = 1.86 \times 10^{-9} \quad \lambda = 1.86 \text{ F.I.T. (60\% confidence level @ 25°C)}$$

This low failure rate represents data collected from Maxim's reliability qualification and monitor programs. Maxim also performs weekly Burn-In on samples from production to assure the reliability of its processes. The reliability required for lots which receive a burn-in qualification is 59 F.I.T. at a 60% confidence level, which equates to 3 failures in an 80 piece sample. Maxim performs failure analysis on lots exceeding this level. The following Burn-In Schematic (Spec. # 06-5126) shows the static circuit used for this test. Maxim also performs 1000 hour life test monitors quarterly for each process. This data is published in the Product Reliability Report (**RR-1M**).

B. Moisture Resistance Tests

Maxim evaluates pressure pot stress from every assembly process during qualification of each new design. Pressure Pot testing must pass a 20% LTPD for acceptance. Additionally, industry standard 85°C/85%RH or HAST tests are performed quarterly per device/package family.

C. E.S.D. and Latch-Up Testing

The CM30-2 die type has been found to have all pins able to withstand a transient pulse of $\pm 2000\text{V}$, per Mil-Std-883 Method 3015 (reference attached ESD Test Circuit). Latch-Up testing has shown that this device withstands a current of $\pm 250\text{mA}$.

Table 1
Reliability Evaluation Test Results
MAX932xxA

TEST ITEM	TEST CONDITION	FAILURE IDENTIFICATION	PACKAGE	SAMPLE SIZE	NUMBER OF FAILURES
Static Life Test (Note 1)					
	Ta = 135°C Biased Time = 192 hrs.	DC Parameters & functionality		584	0
Moisture Testing (Note 2)					
Pressure Pot	Ta = 121°C P = 15 psi. RH= 100% Time = 96hrs.	DC Parameters & functionality	PDIP	77	0
			SO	77	0
			uMAX	77	0
85/85	Ta = 85°C RH = 85% Biased Time = 1000hrs.	DC Parameters & functionality		77	0
Mechanical Stress (Note 2)					
Temperature Cycle	-65°C/150°C 1000 Cycles Method 1010	DC Parameters		77	0

Note 1: Life Test Data may represent plastic D.I.P. qualification lots.

Note 2: Generic/Package process data

Attachment #1

TABLE II. Pin combination to be tested. 1/ 2/

	Terminal A (Each pin individually connected to terminal A with the other floating)	Terminal B (The common combination of all like-named pins connected to terminal B)
1.	All pins except V_{PS1} 3/	All V_{PS1} pins
2.	All input and output pins	All other input-output pins

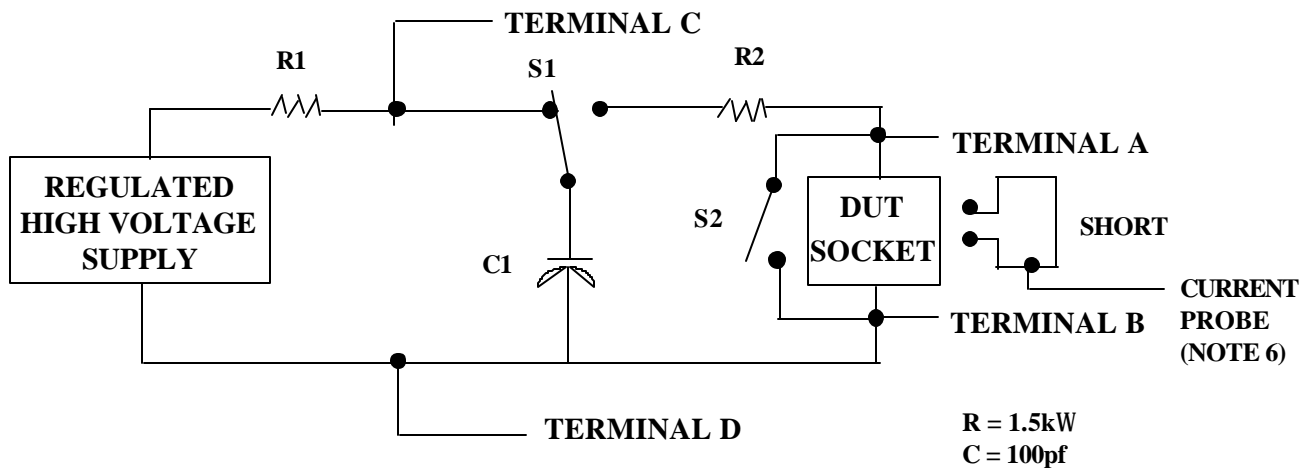
1/ Table II is restated in narrative form in 3.4 below.

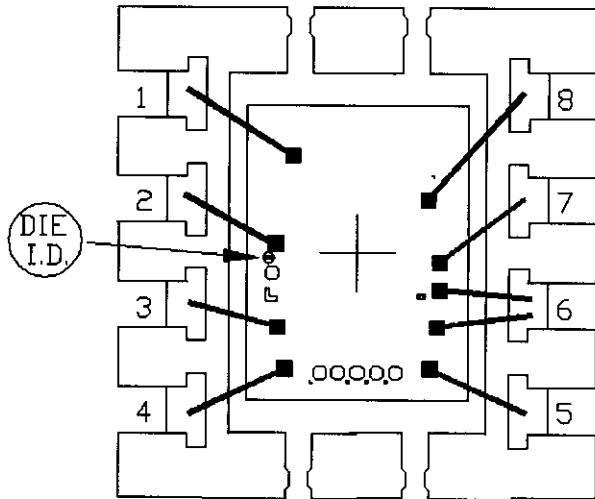
2/ No connects are not to be tested.

3/ Repeat pin combination I for each named Power supply and for ground (e.g., where V_{PS1} is V_{DD} , V_{CC} , V_{SS} , V_{BB} , GND, $+V_S$, $-V_S$, V_{REF} , etc).

3.4 Pin combinations to be tested.

- a. Each pin individually connected to terminal A with respect to the device ground pin(s) connected to terminal B. All pins except the one being tested and the ground pin(s) shall be open.
- b. Each pin individually connected to terminal A with respect to each different set of a combination of all named power supply pins (e.g., V_{SS1} , or V_{SS2} or V_{SS3} or V_{CC1} , or V_{CC2}) connected to terminal B. All pins except the one being tested and the power supply pin or set of pins shall be open.
- c. Each input and each output individually connected to terminal A with respect to a combination of all the other input and output pins connected to terminal B. All pins except the input or output pin being tested and the combination of all the other input and output pins shall be open.





PKG.CODE: U8-1

APPROVALS

DATE

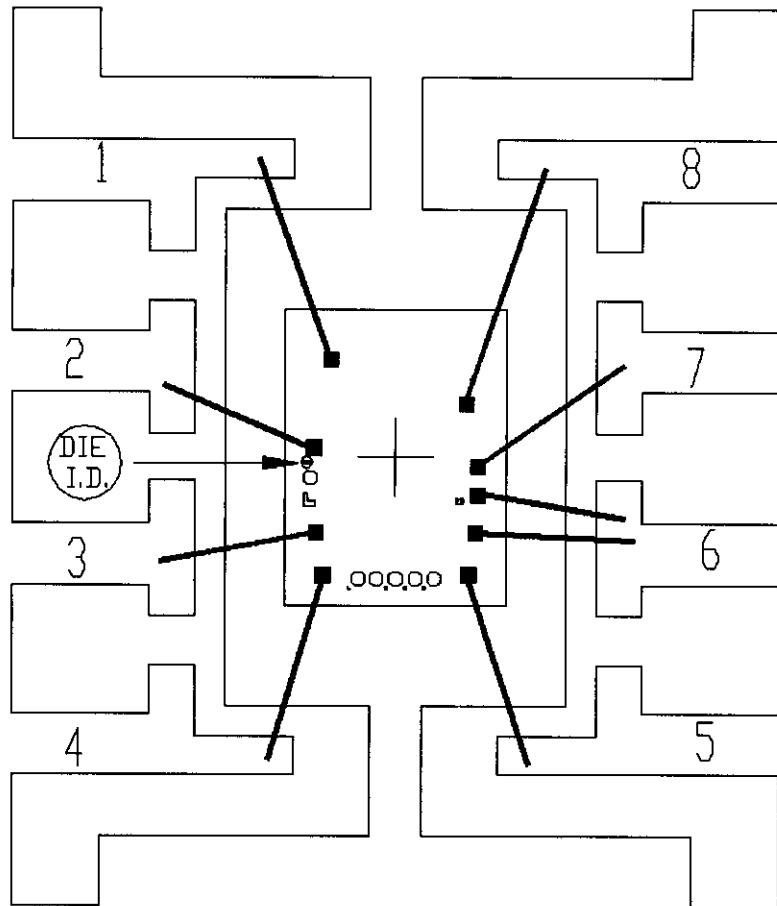
MAXIM

CAV./PAD SIZE:
68X94

PKG.
DESIGN

BUILDSHEET NUMBER:
05-1501-0130

REV:
A



PKG.CODE: S8-4

APPROVALS

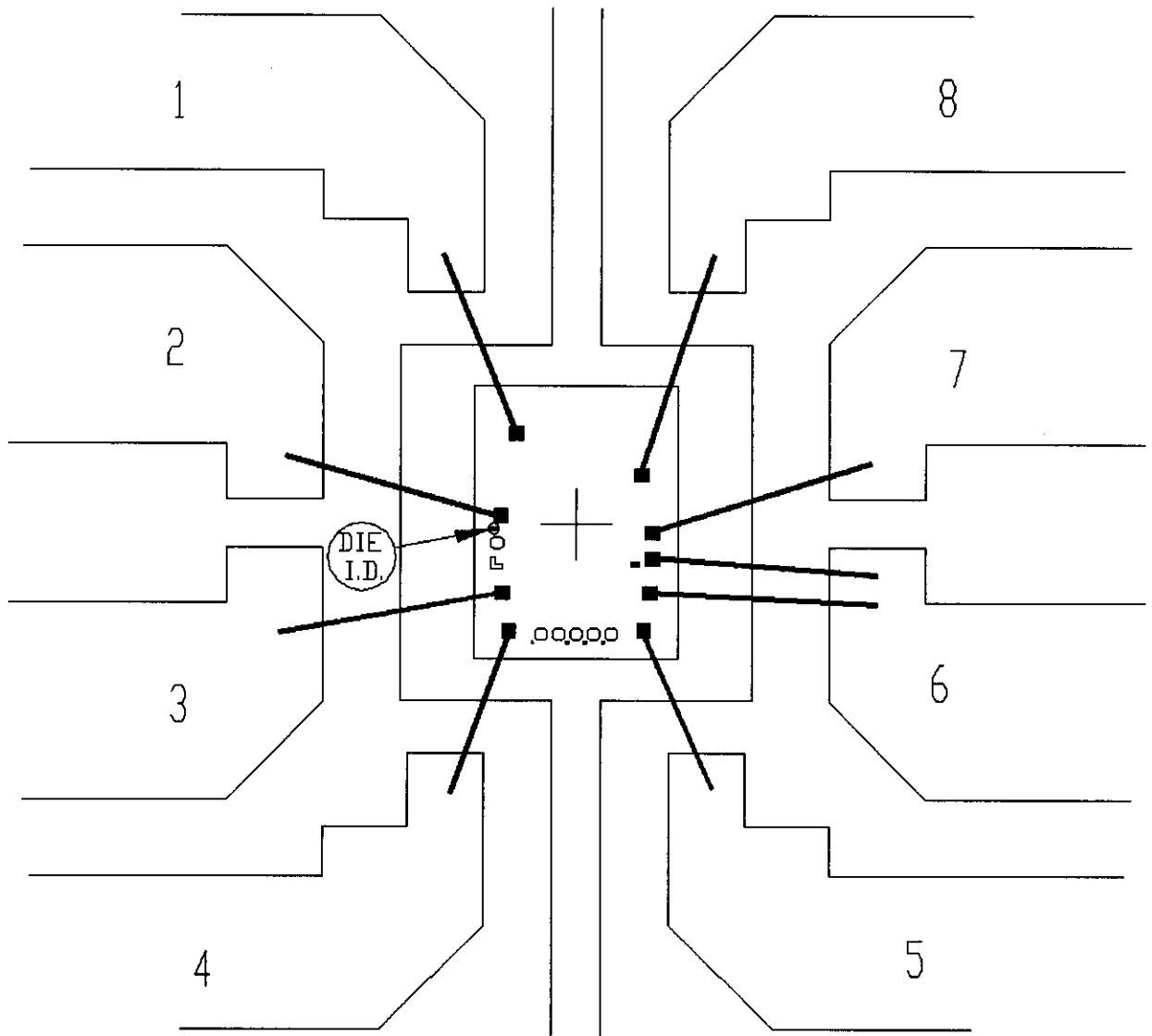
DATE

MAXIM

CAV./PAD SIZE:
90 X 130

PKG.
DESIGN

BUILDSHEET NUMBER: 05-1501-0129	REV.: A
------------------------------------	------------



PKG.CODE: P8-1

CAV./PAD SIZE: 100 X 100

PKG.
DESIGN

APPROVALS

DATE

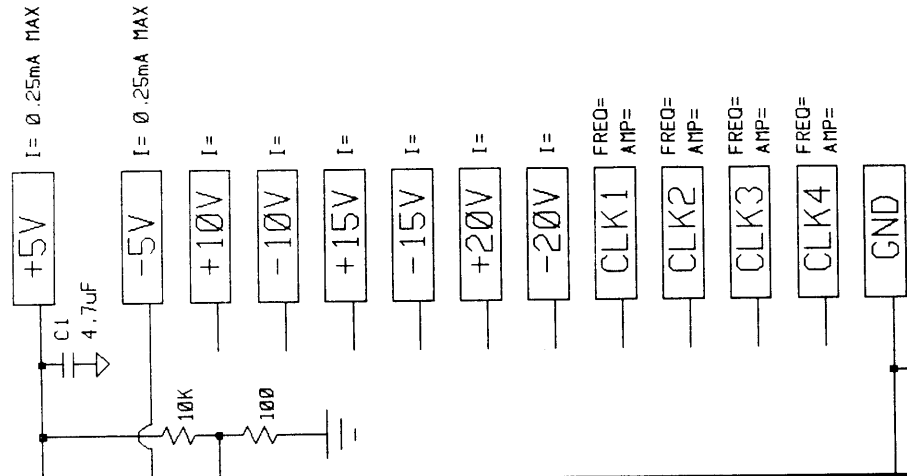
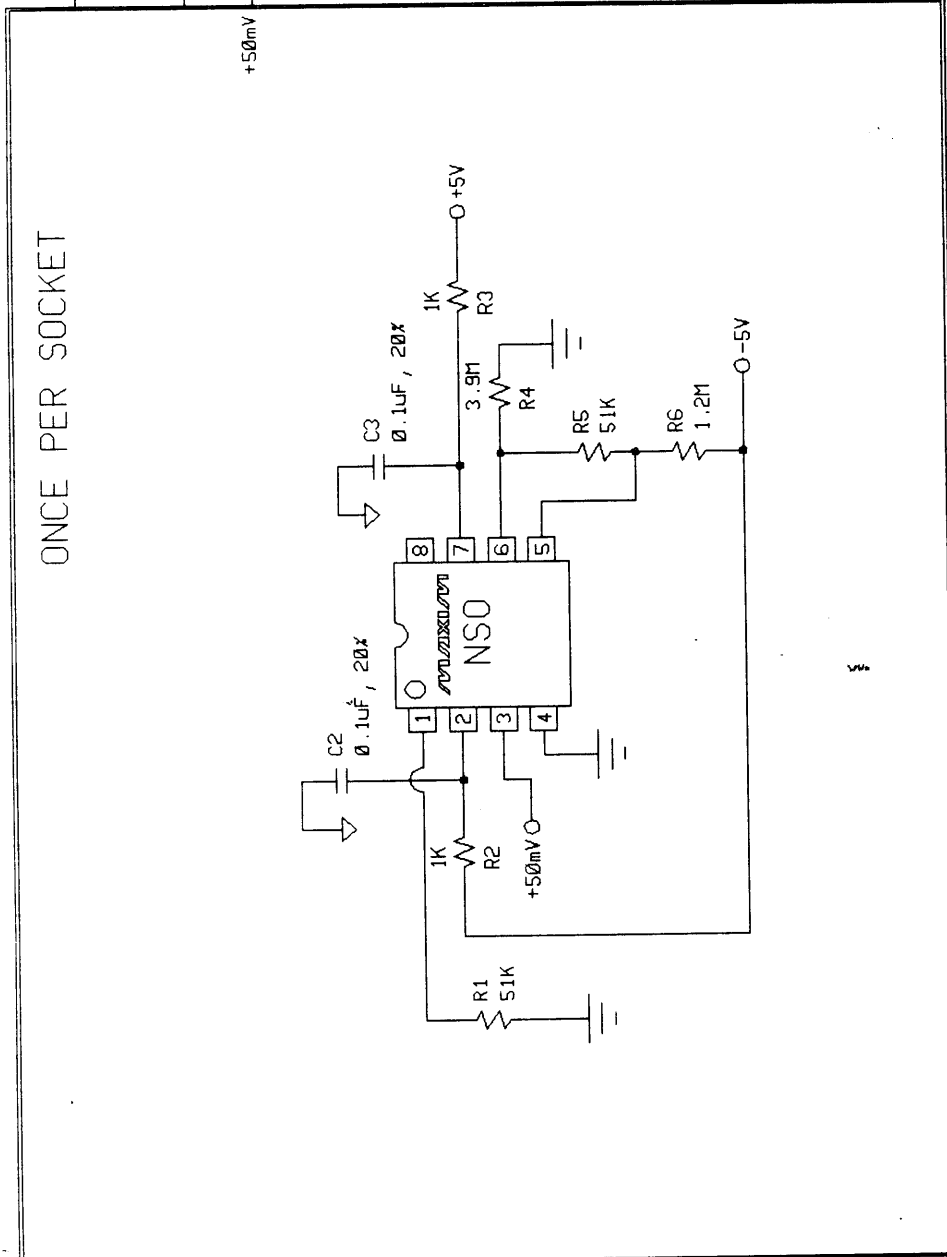
MAXIM

BUILDSHEET NUMBER:
05-1501-0128

REV.:
A

ONCE PER BOARD

ONCE PER SOCKET



- STEADY STATE LIFE TEST IS PER MIL-STD-883 METHOD 1005.
 - BURN-IN IS PER MIL-STD-883 METHOD 1015. COND. B

<p>MAXIM BURN-IN SCHEMATIC</p>	<p>SPEC. NO. 06-5126 REV. A</p>	<p>NOTES:</p> <ol style="list-style-type: none"> TEMPERATURE: 125C OR EQUIVALENT TIME: 160 HOURS MIN. OR EQUIVALENT ALL COMPONENTS AND MATERIAL MUST STAND 150C CONTINUOUS APPROVED FOR EX1 COMMERCIAL EX1 HR/883
<p>DEVICE TYPE: MAX921/922/923 MAX931/932/933</p>	<p>DATE: 4/13/95</p>	<p>DRAWN BY:</p>