

RELIABILITY REPORT  
FOR  
**MAX5429ExA**  
PLASTIC ENCAPSULATED DEVICES

September 23, 2003

**MAXIM INTEGRATED PRODUCTS**

120 SAN GABRIEL DR.

SUNNYVALE, CA 94086

Written by



Jim Pedicord  
Quality Assurance  
Reliability Lab Manager

Reviewed by



Bryan J. Preeshl  
Quality Assurance  
Executive Director

## Conclusion

The MAX5429 successfully meets the quality and reliability standards required of all Maxim products. In addition, Maxim's continuous reliability monitoring program ensures that all outgoing product will continue to meet Maxim's quality and reliability standards.

## Table of Contents

I. ....Device Description	V. ....Quality Assurance Information
II. ....Manufacturing Information	VI. ....Reliability Evaluation
III. ....Packaging Information	IV. ....Die Information
	.....Attachments

### I. Device Description

#### A. General

The MAX5429 linear-taper digital potentiometer functions as mechanical potentiometer, but replaces the mechanics with a simple 2-wire digital interface. This digital potentiometer is unique in that it has an optional one-time programmable feature that either sets the wiper's power-on reset (POR) position to a user-defined value, or the wiper can be set and the interface disabled to prevent further adjustment.

The MAX5429 has a resistance of 10k $\Omega$ , with 32 wiper positions, operates from a single 2.7V to 5.5V supply, and uses less than 1.5 $\mu$ A (max) static supply current.

The MAX5429 is available in 8-pin QFN and  $\mu$ MAX packages. The device is guaranteed over the extended temperature range of -40°C to +85°C.

#### B. Absolute Maximum Ratings

<u>Item</u>	<u>Rating</u>
VDD to GND	-0.3V to +6.0V
VPP to GND	-0.3V to +12.0V
All Other Pins to GND	-0.3V to (VDD + 0.3V)
Input and Output Latchup Immunity	$\pm$ 200mA
Maximum Continuous Current into H, L, and W	$\pm$ 2.0mA
Operating Temperature Range	-40°C to +85°C
Junction Temperature	+150°C
Storage Temperature Range	-65°C to +150°C
Lead Temperature (soldering, 10s)	+300°C
Continuous Power Dissipation (TA = +70°C)	
8-Pin $\mu$ MAX	362mW
8-Pin QFN-EP	1951mW
Derates above +70°C	
8-Pin $\mu$ MAX	4.5mW/°C
8-Pin QFN-EP	24.4mW/°C

## II. Manufacturing Information

A. Description/Function:	One-Time Programmable, Linear-Taper Digital Potentiometers
B. Process:	S6 (Standard 0.6 micron silicon gate CMOS)
C. Number of Device Transistors:	2270
D. Fabrication Location:	California, USA
E. Assembly Location:	Malaysia
F. Date of Initial Production:	April, 2002

## III. Packaging Information

A. Package Type:	<b>8-Pin <math>\mu</math>MAX</b>	<b>8-Pin QFN (3 x 3)</b>
B. Lead Frame:	Copper	Copper
C. Lead Finish:	Solder Plate	Solder Plate
D. Die Attach:	Silver-Filled Epoxy	Silver-Filled Epoxy
E. Bondwire:	Gold (1 mil dia.)	Gold (1 mil dia.)
F. Mold Material:	Epoxy with silica filler	Epoxy with silica filler
G. Assembly Diagram:	#05-3401-0025	#05-3401-0024
H. Flammability Rating:	Class UL94-V0	Class UL94-V0
I. Classification of Moisture Sensitivity per JEDEC standard JESD22-112:	Level 1	Level 1

## IV. Die Information

A. Dimensions:	54 x 45 mils
B. Passivation:	$\text{Si}_3\text{N}_4/\text{SiO}_2$ (Silicon nitride/ Silicon dioxide)
C. Interconnect:	Aluminum/Si (Si = 1%)
D. Backside Metallization:	None
E. Minimum Metal Width:	0.6 microns (as drawn)
F. Minimum Metal Spacing:	0.6 microns (as drawn)
G. Bondpad Dimensions:	5 mil. Sq.
H. Isolation Dielectric:	$\text{SiO}_2$
I. Die Separation Method:	Wafer Saw

## V. Quality Assurance Information

- A. Quality Assurance Contacts: Jim Pedicord (Manager, Rel Operations)  
Bryan Preeshl (Executive Director)  
Kenneth Huening (Vice President)
- B. Outgoing Inspection Level: 0.1% for all electrical parameters guaranteed by the Datasheet.  
0.1% For all Visual Defects.
- C. Observed Outgoing Defect Rate: < 50 ppm
- D. Sampling Plan: Mil-Std-105D

## VI. Reliability Evaluation

### A. Accelerated Life Test

The results of the 135°C biased (static) life test are shown in **Table 1**. Using these results, the Failure Rate ( $\lambda$ ) is calculated as follows:

$$\lambda = \frac{1}{\text{MTTF}} = \frac{1.83}{192 \times 4389 \times 44 \times 2} \quad (\text{Chi square value for MTTF upper limit})$$

$\triangle$  Temperature Acceleration factor assuming an activation energy of 0.8eV

$$\lambda = 24.68 \times 10^{-9}$$

$$\lambda = 24.68 \text{ F.I.T. (60\% confidence level @ 25°C)}$$

This low failure rate represents data collected from Maxim's reliability monitor program. In addition to routine production Burn-In, Maxim pulls a sample from every fabrication process three times per week and subjects it to an extended Burn-In prior to shipment to ensure its reliability. The reliability control level for each lot to be shipped as standard product is 59 F.I.T. at a 60% confidence level, which equates to 3 failures in an 80 piece sample. Maxim performs failure analysis on any lot that exceeds this reliability control level. Attached Burn-In Schematic (Spec. # 06-5963) shows the static Burn-In circuit. Maxim also performs quarterly 1000 hour life test monitors. This data is published in the Product Reliability Report (**RR-1M**).

### B. Moisture Resistance Tests

Maxim pulls pressure pot samples from every assembly process three times per week. Each lot sample must meet an LTPD = 20 or less before shipment as standard product. Additionally, the industry standard 85°C/85%RH testing is done per generic device/package family once a quarter.

### C. E.S.D. and Latch-Up Testing

The DP12-2 die type has been found to have all pins able to withstand a transient pulse of  $\pm 1500\text{V}$  per Mil-Std-883 Method 3015 (reference attached ESD Test Circuit). Latch-Up testing has shown that this device withstands a current of  $\pm 250\text{mA}$ .

**Table 1**  
Reliability Evaluation Test Results

**MAX5429ExA**

TEST ITEM	TEST CONDITION	FAILURE IDENTIFICATION	PACKAGE	SAMPLE SIZE	NUMBER OF FAILURES
<b>Static Life Test</b> (Note 1)					
	Ta = 135°C Biased Time = 192 hrs.	DC Parameters & functionality		44	0
<b>Moisture Testing</b> (Note 2)					
Pressure Pot	Ta = 121°C P = 15 psi. RH= 100% Time = 168hrs.	DC Parameters & functionality	uMAX	77	0
			QFN	77	0
85/85	Ta = 85°C RH = 85% Biased Time = 1000hrs.	DC Parameters & functionality		77	0
<b>Mechanical Stress</b> (Note 2)					
Temperature Cycle	-65°C/150°C 1000 Cycles Method 1010	DC Parameters & functionality		77	0

Note 1: Life Test Data may represent plastic DIP qualification lots.

Note 2: Generic Package/Process data

Attachment #1

TABLE II. Pin combination to be tested. 1/ 2/

	Terminal A (Each pin individually connected to terminal A with the other floating)	Terminal B (The common combination of all like-named pins connected to terminal B)
1.	All pins except $V_{PS1}$ <u>3/</u>	All $V_{PS1}$ pins
2.	All input and output pins	All other input-output pins

1/ Table II is restated in narrative form in 3.4 below.

2/ No connects are not to be tested.

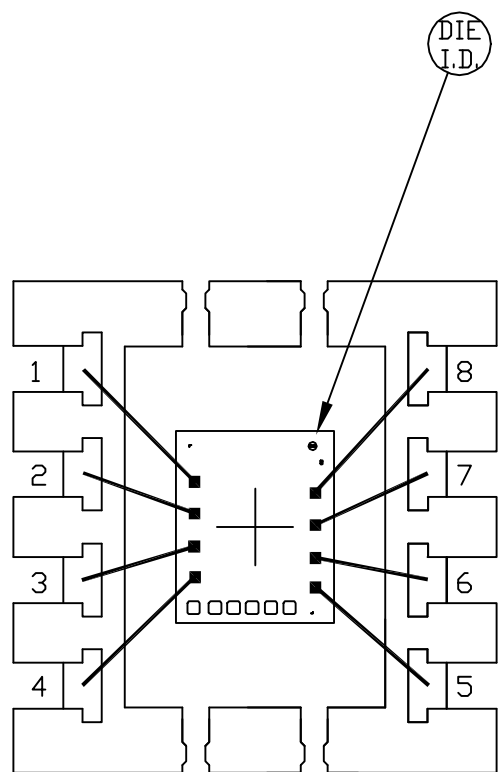
3/ Repeat pin combination I for each named Power supply and for ground

(e.g., where  $V_{PS1}$  is  $V_{DD}$ ,  $V_{CC}$ ,  $V_{SS}$ ,  $V_{BB}$ , GND,  $+V_S$ ,  $-V_S$ ,  $V_{REF}$ , etc).

3.4 Pin combinations to be tested.

- a. Each pin individually connected to terminal A with respect to the device ground pin(s) connected to terminal B. All pins except the one being tested and the ground pin(s) shall be open.
- b. Each pin individually connected to terminal A with respect to each different set of a combination of all named power supply pins (e.g.,  $V_{SS1}$ , or  $V_{SS2}$  or  $V_{SS3}$  or  $V_{CC1}$ , or  $V_{CC2}$ ) connected to terminal B. All pins except the one being tested and the power supply pin or set of pins shall be open.
- c. Each input and each output individually connected to terminal A with respect to a combination of all the other input and output pins connected to terminal B. All pins except the input or output pin being tested and the combination of all the other input and output pins shall be open.

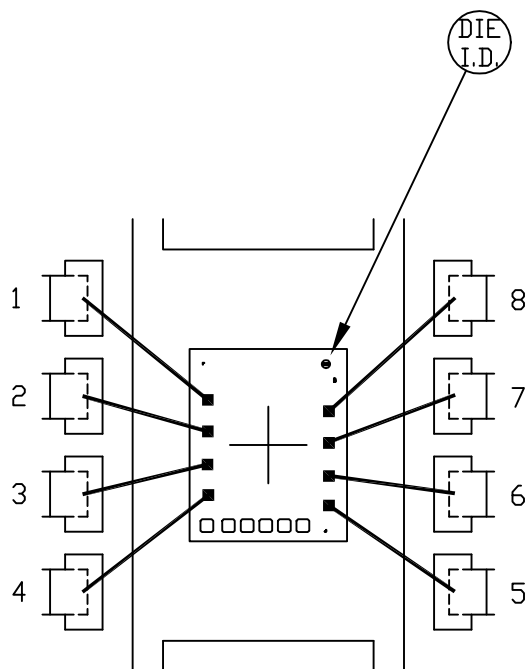




PKG. CODE: U8-1		SIGNATURES	DATE	 CONFIDENTIAL & PROPRIETARY	
CAV./PAD SIZE: 68x94	PKG. DESIGN			BOND DIAGRAM #: 05-3401-0025	REV: A

3x3x0.8 MM QFN THIN PKG.

EXPOSED PAD PKG.



PKG. CODE: T833-1

SIGNATURES

DATE

**MAXIM**  
CONFIDENTIAL & PROPRIETARY

CAV./PAD SIZE:  
71x102

PKG.  
DESIGN

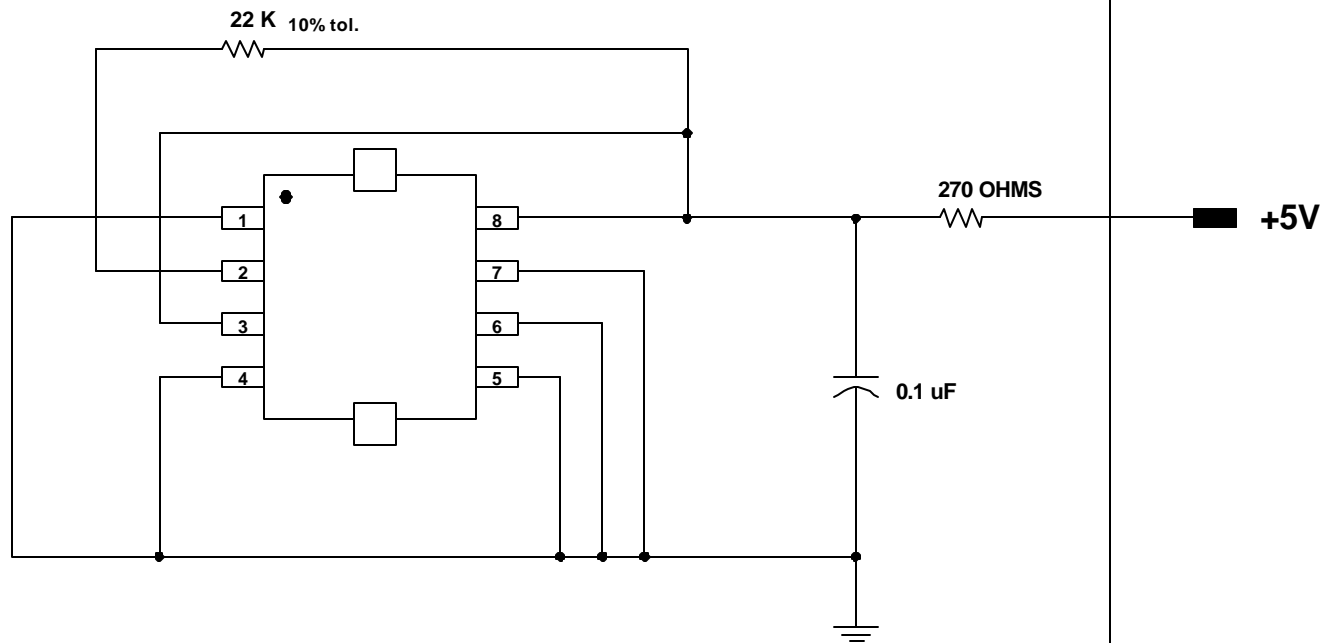
BOND DIAGRAM #:  
05-3401-0024

REV:  
B



ONCE PER SOCKET

ONCE PER BOARD



DEVICES: MAX5427/5428/5429  
PACKAGE: 8-QFN 3x3  
MAX. EXPECTED CURRENT = 200uA, 320uA, 1.5mA

DRAWN BY: HAK/TEK TAN  
NOTES: MAX5427 (200uA), MAX5428 (320uA), MAX5429 (1.5mA).