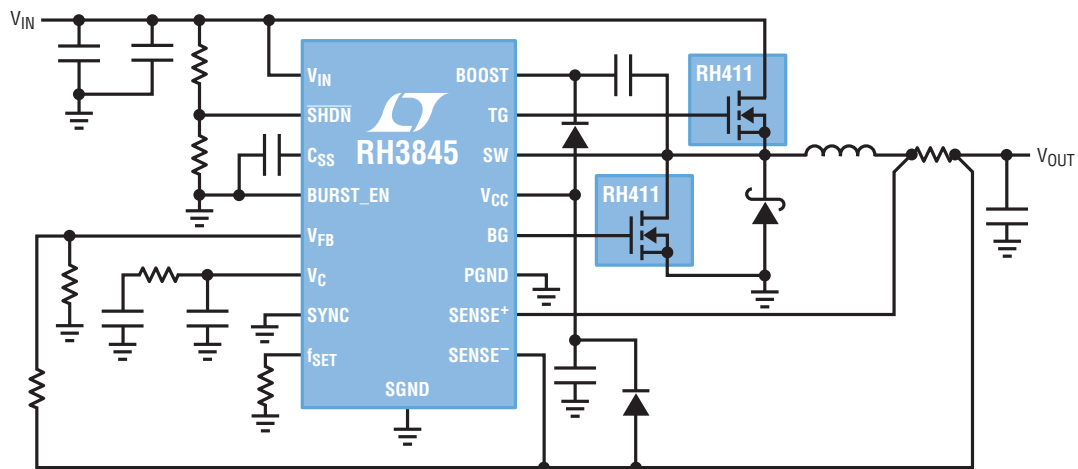


60V Radiation Hardened Controller Optimizes Size and Efficiency



The RH3845MK is a high voltage, synchronous, current mode controller for medium to high power, high efficiency supplies. It offers a wide 4V to 60V input range (7.5V minimum start-up voltage) making it suitable for use in both point-of-load or intermediate bus applications. A kit including dedicated Linear Technology radiation hardened MOSFETs, RH411 is also available to simplify part selection.

Features

- Processed in Compliance with Linear's Certified MIL-PRF-38535 Class V Flow
- High Voltage Operation: Up to 60V
- Output Voltages Up to 36V
- Efficiency:
 - 94% for V_{IN} 30V, V_{OUT} 15V at 3A
 - 88% for V_{IN} 10V, V_{OUT} 3.3V at 3A
- Synchronizable Up to 600kHz
- Adjustable Constant Frequency:
 - 100kHz to 500kHz
- 70 μ A Shutdown Supply Current
- Capable of Driving Standard Power MOSFETs
- Short-Circuit Protection and Soft-Start

Radiation Performance

- Total Ionizing Dose (TID) Tolerance, per TM1019.8, MIL-STD-883
 - 200kRad (Si), per Condition A at 50Rads (Si)/sec
 - 100kRad (Si), per Condition D at 10mRads (Si)/sec
 - ELDRS Pass 100kRad (Si)
- Displacement Damage Defect (DDD)
 - Up to 1E12 Neutrons/cm²
- Single Event Latchup (SEL) Threshold Linear Energy Transfer (LET)
 - 117.6 MeV.cm²/mg at $T_{CASE} = 100^{\circ}C$

Availability

From Linear Technology:

- RH3845MKDICE – 60V Synchronous Current Mode Controller Dice
- RHK3845MKDICE – 60V Synchronous Current Mode Controller Dice + Two RH411 Power NMOS FET Dice

From Anaren (MS Kennedy):

- MSK5055RH – 60V Synchronous Current Mode Controller in 16-Pin Flatpack
- 5962F14223 – 60V Synchronous Current Mode Controller in 16-Pin Flatpack as DLA SMD
- MSK5063RH – 10A, 60V Synchronous Step-Down Regulator in 46-Pin Flatpack with Internal FETs and Decoupling



LT, LT, LTC, LTM, Linear Technology and the Linear logo are registered trademarks and UltraFast is a trademark of Linear Technology Corporation. All other trademarks are the property of their respective owners.

Radiation Hardened Product Range

AMPLIFIERS				
Part Type	Description	Typical GBW (MHz)	Package	Partner Products
RH101A	Operational Amplifier	0.1	DICE, TO-5, DIP-8, FP-10	MSK0041, MSK106
RH1078	Dual Micropower Precision Op Amp, 120µV Offset	0.2	DICE, TO-5, DIP-8, FP-10	
RH07	Precision Operational Amplifier	0.4	DICE, TO-5, DIP-8, FP-10	
RH108A	General Purpose Operational Amplifier	0.5	DICE, TO-5, DIP-8, FP-10	
RH1013	Dual Precision Operational Amplifier, 300µV Offset	0.5	DICE, TO-5, DIP-8, FP-10	
RH1014	Quad Precision Operational Amplifier	0.5	DIP-14, FP-14	
RH6105	Rail-to-Rail Current Sense Amplifier	1.0	DICE	MSK196, MSK496 (Quad), MSK6000
RH27A	Precision Operational Amplifier, 35µV Offset	5.0	FP-10	
RH27	Precision Operational Amplifier, 55µV and 100µV Offset	5.0	DICE, TO-5, DIP-8, FP-10	
RH1056A	Precision High Speed JFET Input Operational Amplifier	6.5	TO-5, FP-10	
RH1056	Precision High Speed JFET Input Operational Amplifier	6.5	DICE	
RH1498	Dual 6V/µs Rail-to-Rail Input/Output Precision C-Load	10	DICE, FP-10	MSK198RHL
RH1499	Quad 6V/µs Rail-to-Rail Input/Output Precision C-Load	10	FP-14	
RH118	Precision/High Speed Operational Amplifier	15	TO-5, DIP-8, FP-10	
RH1128	Ultralow Noise Precision Op Amp, $A_V \geq 1$	20	DICE, FP-10	
RH37	Precision 45MHz Operational Amplifier	45	DICE, TO-5, DIP-8, FP-10	
RH1028	Ultralow Noise Precision Op Amp, $A_V \geq 2$ or $A_V \leq -1$	75	DICE, FP-10	
RH1814	Dual 3mA, 100MHz, 750V/µs Operational Amplifier	100	DICE	
RH1814	Quad 3mA, 100MHz, 750V/µs Operational Amplifier	100	FP-14	
RH6200	165MHz, Rail-to-Rail I/O, 0.95nV/√Hz Low Noise, Op Amp	165	DICE, FP-10	
COMPARATORS				
Part Type	Description	Typical t_{PD} (ns)	Package	Partner Products
RH1016	UltraFast™ 10ns Precision Comparator	10	DICE, FP-10	
RH119	Dual High Performance Comparator	80	DICE, TO-5, DIP-8, FP-10	
RH1011	Precision Voltage Comparator	150	DICE, TO-5, DIP-8, FP-10	
RH111	Voltage Comparator, (Please Use RH1011 for New Designs)	200	TO-5, DIP-8, FP-10	
VOLTAGE REFERENCES				
Part Type	Description	T.C. Max ppm/°C	Package	Partner Products
RH1034-1.2	1.2V Micropower Dual Reference with 7V Aux	60	TO-46, FP-10	
5962R8961002	2.5V Precision Reference - SMD Version of RH1009	35	TO-46, FP-10	
RH1009	2.5V Precision Reference - SCD Version	35	DICE, TO-46, FP-10	MSK109, MSK110 (Dual)
RH1021-5	5V Precision Reference	5-20	DICE, TO-5, FP-10	
RH129A	6.9V Precision Reference	10	TO-46	
RH1021-7	7V Precision Reference	5-20	TO-5	
RH1021-10	10V Precision Reference	5-20	DICE, TO-5, FP-10	
DATA CONVERTORS				
Part Type	Description	F_S (ksps)	Package	Partner Products
LTC1604	16-Bit, 333ksps Sampling ADC with Shutdown	333	SSOP-36	
RH1419	14-Bit, 800ksps Sampling ADC with Shutdown	800	DICE	RAD1419
VOLTAGE REGULATOR DRIVER				
Part Type	Description	Accuracy (%)	Package	Partner Products
RH1573	10V, LDO Regulator Driver, Up to 5A with External PNP	1.0	DICE	MSK5800, MSK5805, MSK5810, MSK5820, MSK5821, MSK5822, MSK5823, MSK5824, MSK5825, MSK5826, MSK5950
POSITIVE LINEAR REGULATORS				
Part Type	Description	I_{OUT} (A)	Package	Partner Products
RH1086H	25V, 0.5A Positive Adjustable Voltage LDO Regulator	0.5	DICE, TO-39	
RH117H	40V, 0.5A Positive Adjustable Regulator	0.5	DICE, TO-39	
RH3080	40V, 0.9A Adjustable, Single Resistor LDO Regulator	0.9	DICE	MSK5976, MSK5977, MSK5978, VRG8666, Dual Regulators: MSK5953, VRG8667, VRG8668
RH1965	20V, 1A Rugged, Low Noise, Adjustable LDO Regulator with Shutdown	1.0	DICE	MSK5965
RH1086K	25V, 1.5A Positive Adjustable Voltage LDO Regulator	1.5	DICE, TO3	MSK5970, VRG8662, Dual Regulators: VRG8657, VRG8658, Positive + Negative Regulators: VRG8651, VRG8652
RH117K	40V, 1.5A Positive Adjustable Regulator	1.5	DICE, TO3	MSK5972, VRG8660, Dual Regulators: VRG8607, VRG8608, Positive + Negative Regulators: MSK5911, MSK5912, MSK5913, MSK5914, MSK5915, MSK5916, MSK5917, MSK5918, MSK5919, VRG8601, VRG8602
RH3083	18V, 2.8A Adjustable, Single Resistor LDO Regulator	2.8	DICE	MSK5983, MSK5984, MSK5985, MSK5986, VRG8669, VRG8697, VRG8698
RH1085	30V, 3A Positive Adjustable Voltage LDO Regulator	3.0	DICE, TO3	MSK5971, Positive + Negative Regulators: MSK5930, MSK5931, MSK5932, MSK5933, MSK5934, MSK5935, MSK5936, MSK5937, MSK5938, MSK5939
RH1084	25V, 5A Positive Adjustable Voltage LDO Regulator	5.0	DICE	VRG8684, Dual Regulators: VRG8687, VRG8688, Positive + Negative Regulators: VRG8653, VRG8654
NEGATIVE LINEAR REGULATORS				
Part Type	Description	I_{OUT} (A)	Package	Partner Products
RH137H	30V, 0.5A Negative Adjustable Voltage Regulator	0.5	DICE, TO-39	
RH137K	30V, 1.5A Negative Adjustable Voltage Regulator	1.5	DICE, TO3	MSK5973, VRG8661, Dual Regulators: VRG8609, VRG8610, Positive + Negative Regulators: MSK5911, MSK5912, MSK5913, MSK5914, MSK5915, MSK5916, MSK5917, MSK5918, MSK5919, VRG8601, VRG8602
RH1185A	35V, 3A Negative LDO with Adjustable Current Limit	3.0	DICE, TO3	MSK5940, VRG8663, Positive + Negative Regulators: MSK5930, MSK5931, MSK5932, MSK5933, MSK5934, MSK5935, MSK5936, MSK5937, MSK5938, MSK5939, VRG8651, VRG8652, VRG8653, VRG8654
SWITCHING REGULATORS AND CONTROLLERS				
Part Type	Description	I_{OUT} (A)	Package	Partner Products
RH1959	16V, 4.5A, 500kHz Step-Down Switching Regulator	4.5	DICE	MSK5044, MSK5048, MSK5052, MSK5059
RH3845	60V Synchronous Step-Down Controller, 100kHz to 500kHz	10	DICE	MSK5055 Switching Controller (Monolithic)
RHK3845	RH3845 Controller + Two RH411 Power NMOS FETs	10	3 x DICE	MSK5063 Switching Regulator Module

Partner Products:

MSK Prefix - ANAREN INC. (MS KENNEDY CORP.), www.mskennedy.com
 VRG Prefix - COBHAM plc (AEROFLEX MICROELECTRONIC SOLUTIONS), www.aeroflex.com/ams