

4

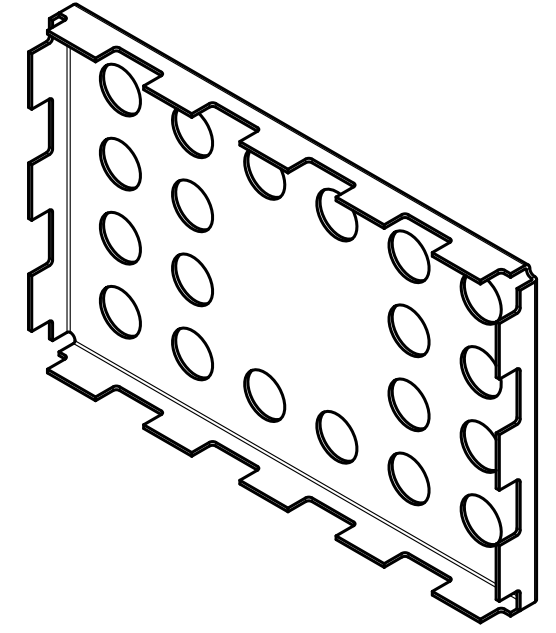
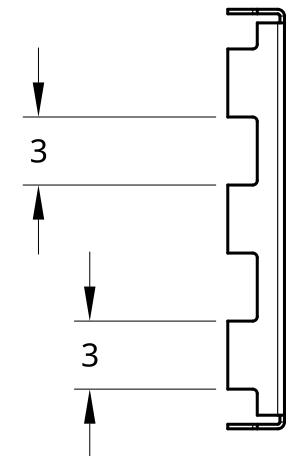
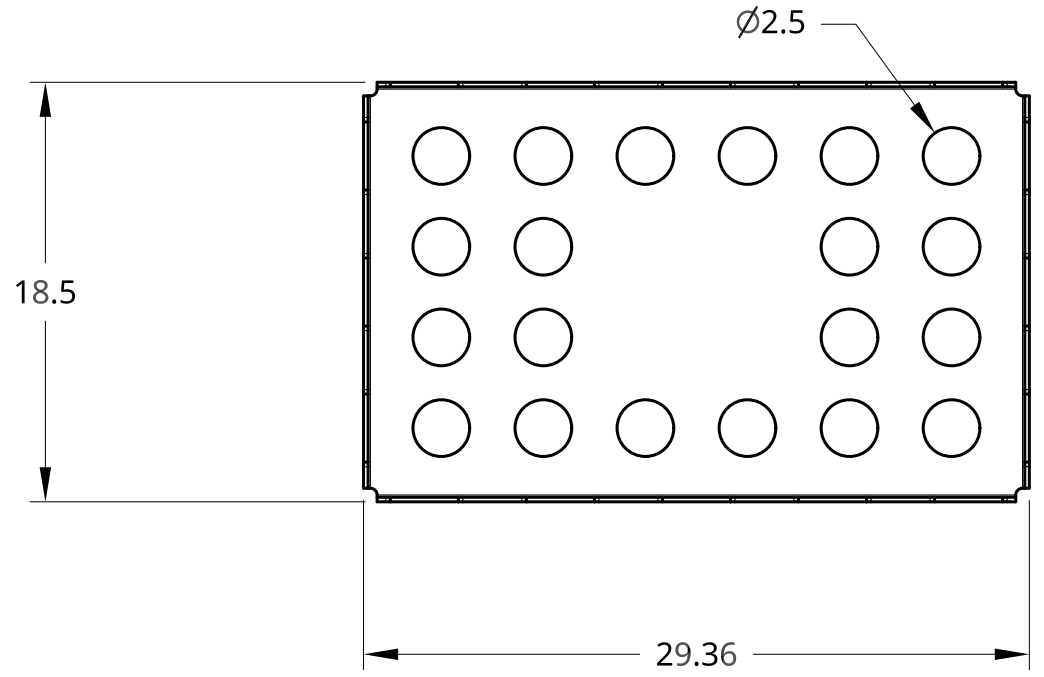
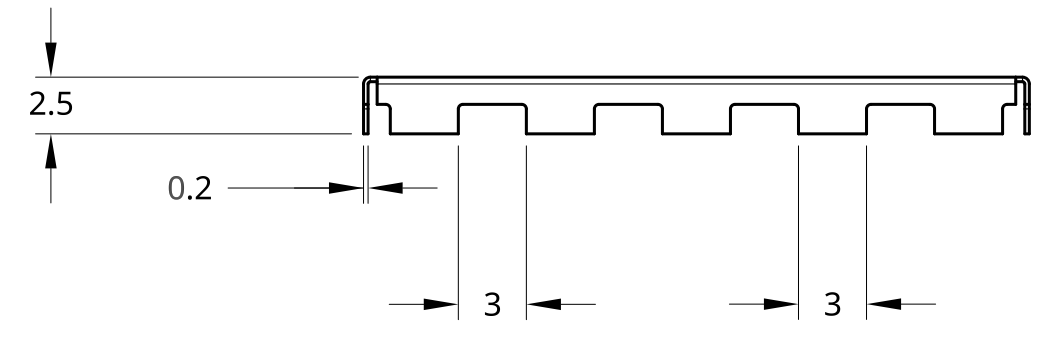
3

2

1

D

D

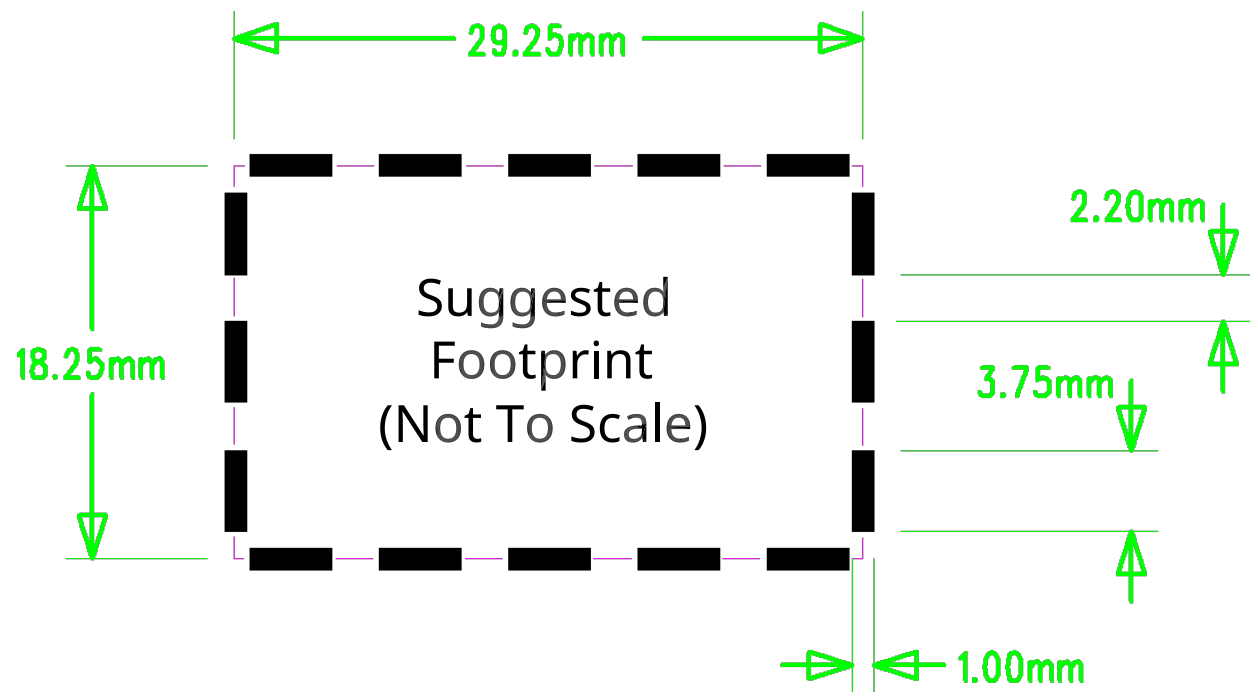


C

C

B

B



UNLESS OTHERWISE SPECIFIED,
DIMENSIONS ARE IN MILLIMETERS

ANGULAR = ± °

SURFACE FINISH

DO NOT SCALE DRAWING

BREAK ALL SHARP EDGES AND REMOVE BURRS

THIRD ANGLE PROJECTION

	NAME	DATE
DRAWN	dust dust	01/24/2018
CHECKED	CN	01/24/2018
APPROVED	RY	01/24/2018
MATERIAL	FINISH	

 AHEAD OF WHAT'S POSSIBLE™		
TITLE SmartMesh RF Shield for Eterna Rectangular, 1.156" X 0.728"		
SIZE B	DWG NO. DUST-SHLD02	REV. 1
SCALE 3:1	WEIGHT	SHEET 1 of 1

4

3

2

1

A

A