

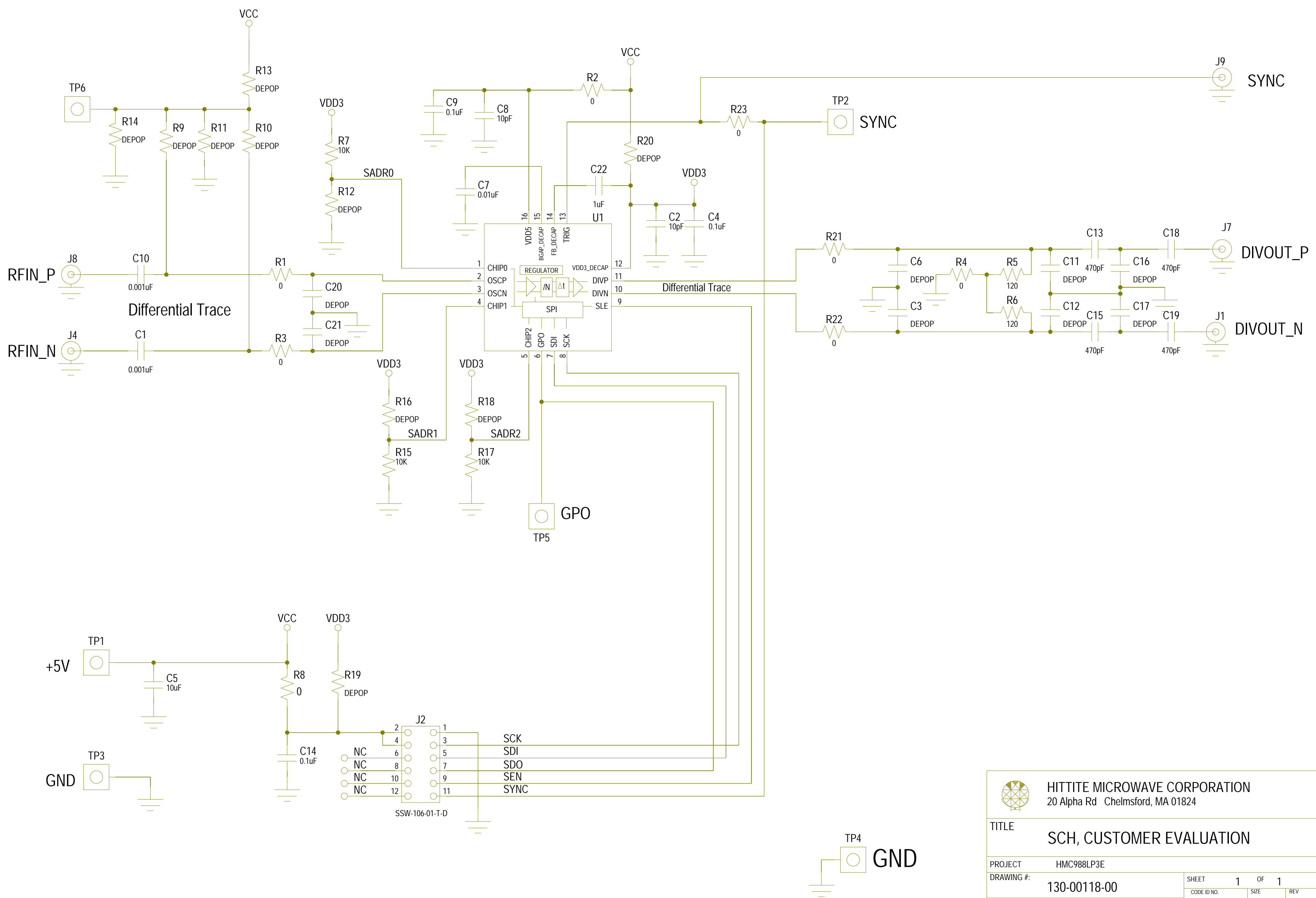
Analog Devices Welcomes Hittite Microwave Corporation

NO CONTENT ON THE ATTACHED DOCUMENT HAS CHANGED




THIS PAGE INTENTIONALLY LEFT BLANK

REVISIONS					
REV	ECN#	ZONE	DESCRIPTION	NAME	DATE
B	CP120107	----	PRODUCTION RELEASE CP120107	D. ACEVAL	02/08/2012
C	CP120226	----	PRODUCTION RELEASE CP120226	D. ACEVAL	02/17/2012



NOTICE OF PROPRIETARY PROPERTY: THIS DOCUMENT AND THE INFORMATION CONTAINED IN IT ARE THE PROPRIETARY PROPERTY OF HITTITE MICROWAVE CORPORATION. IT MAY NOT BE COPIED OR USED IN ANY MANNER NOR MAY ANY OF THE INFORMATION IN OR UPON IT BE USED FOR ANY PURPOSE WITHOUT THE EXPRESSED WRITTEN CONSENT OF AN AUTHORIZED AGENT OF HITTITE MICROWAVE CORPORATION.

 HITTITE MICROWAVE CORPORATION 20 Alpha Rd Chelmsford, MA 01824	
TITLE SCH, CUSTOMER EVALUATION	
PROJECT HMC988LP3E	
DRAWING #: 130-00118-00	
DRAWN BY: D. YOUNG	
DATE: 02/09/2011	
SHEET 1	OF 1
CODE ID NO. 1CN88	SIZE C
REV C	REV C