

# Analog Devices Welcomes Hittite Microwave Corporation

NO CONTENT ON THE ATTACHED DOCUMENT HAS CHANGED



**THIS PAGE INTENTIONALLY LEFT BLANK**

REVISIONS					
REV	ECN#	ZONE	DESCRIPTION	NAME	DATE
A	CP111383	---	PRODUCTION RELEASE CHANGED C152, C40, R55, R89, C189, R91	D. ACEVAL	08/31/2011

# HMC983LP5E Frac Divider

## HMC983 Chip Address Select

### HMC983 Frac Div GPIO's

### To PFD board

# HMC984LP4E PFD/CP

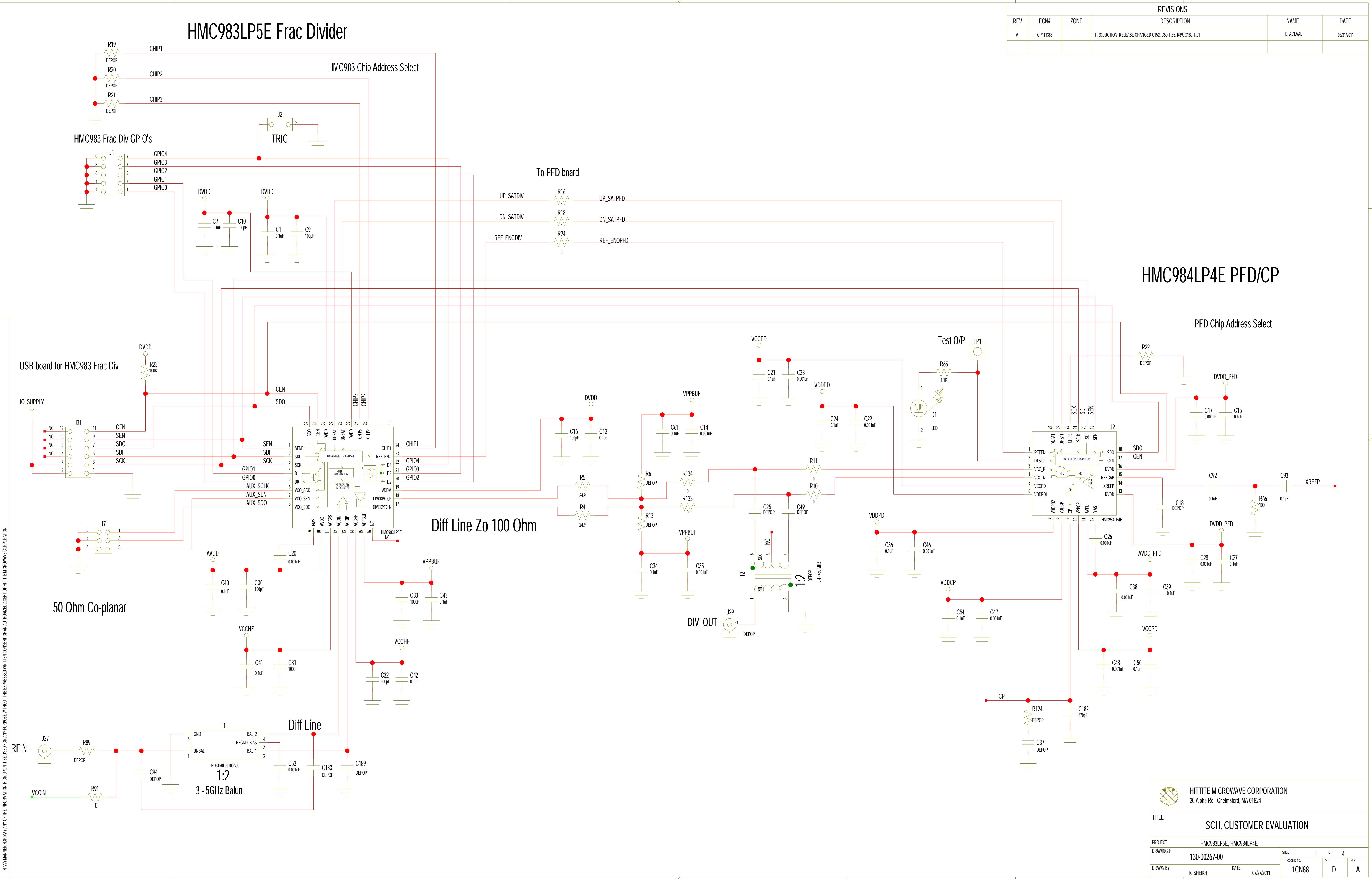
## PFD Chip Address Select

### USB board for HMC983 Frac Div

### 50 Ohm Co-planar

Diff Line Zo 100 Ohm

Diff Line



NOTICE OF PROPRIETARY PROPERTY: THIS DOCUMENT AND THE INFORMATION CONTAINED HEREIN ARE THE PROPRIETARY PROPERTY OF HITTITE MICROWAVE CORPORATION. IT MAY NOT BE COPIED OR USED IN ANY MANNER NOR MAY ANY OF THE INFORMATION OR CONTENT BE USED FOR ANY PURPOSE WITHOUT THE EXPRESS WRITTEN CONSENT OF AN AUTHORIZED AGENT OF HITTITE MICROWAVE CORPORATION.

**HITTITE MICROWAVE CORPORATION**  
20 Alpha Rd Chelmsford, MA 01824

**TITLE**  
SCH, CUSTOMER EVALUATION

PROJECT: HMC983LP5E, HMC984LP4E  
DRAWING #: 130-00267-00  
DRAWN BY: K. SHERKH DATE: 07/27/2011

SHEET	1	OF	4
CODE #	1CN88	SEE	D
REV	A		

31-08-2011\_10:18

EXT\_REF

TCXO\_POWER

Re-worked connections around LPF op-amps

TCXO\_POWER

VCO

OP\_AMP\_SUPPLY

-2V

VCCIN

RFOUT

RFOUT/2 AND /4



HITTITE MICROWAVE CORPORATION  
20 Alpha Rd Chelmsford, MA 01824

TITLE  
SCH, CUSTOMER EVALUATION

PROJECT  
HMC983LP5E, HMC984LP4E

DRAWING #:  
130-00267-00

SHEET 2 OF 4  
CODE ID NO. 1CN88 SIZE C REV A

DRAWN BY  
K. SHEIKH DATE 07/27/2011

+5.5V

GND

+3V

+3V

+5V


+5V

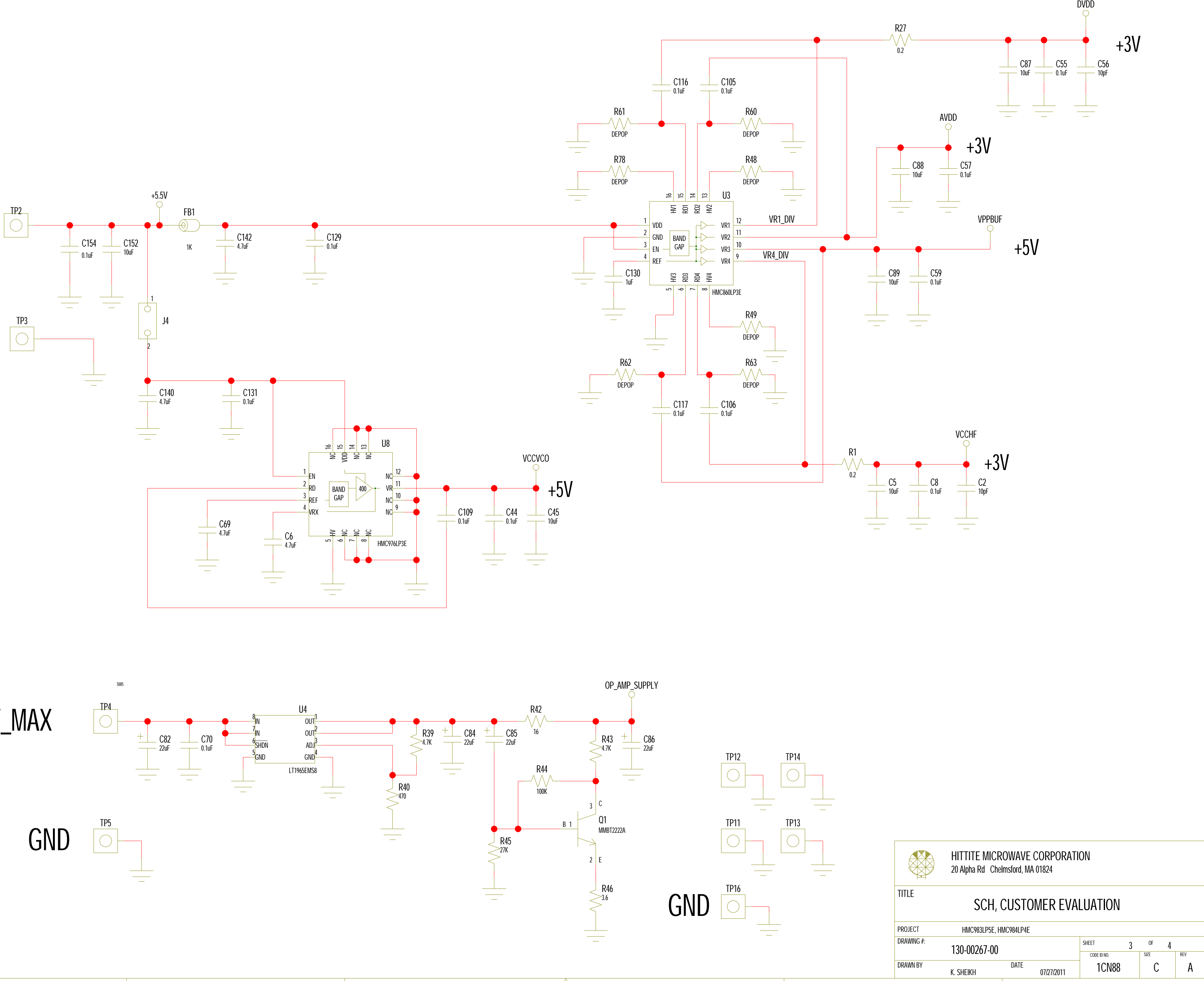
+3V

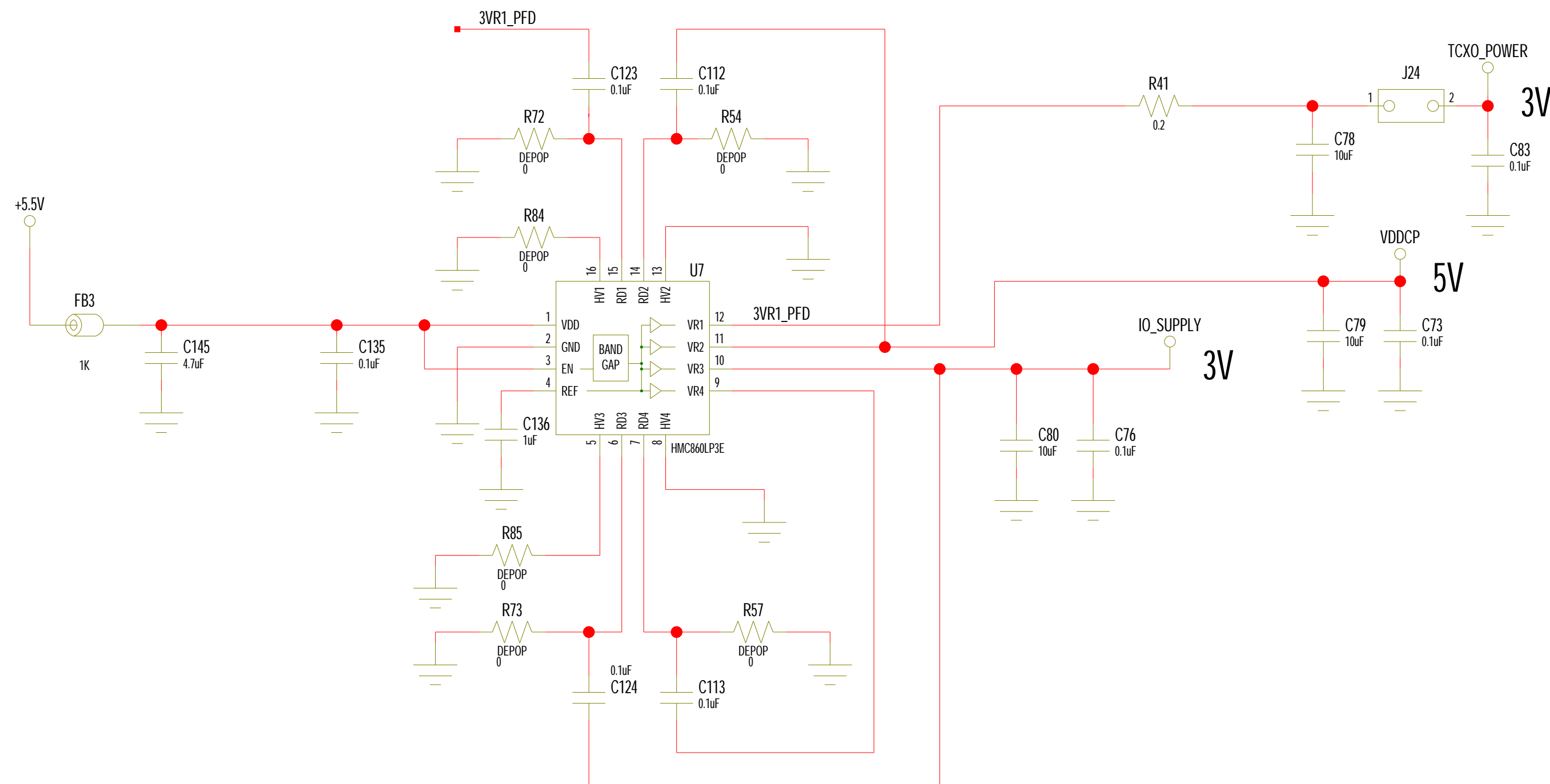
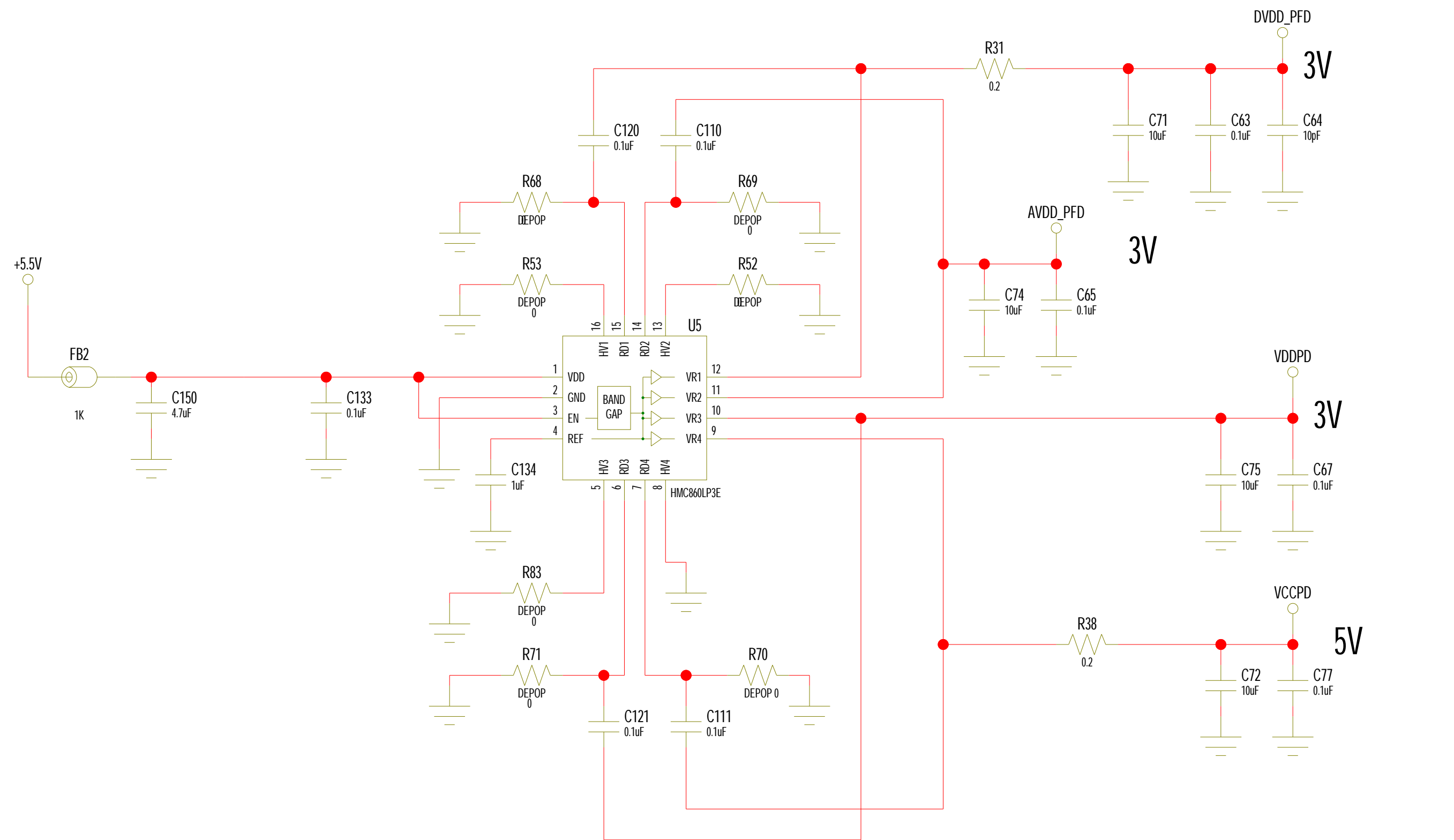
+18V\_MAX


GND

GND

 <b>HITTITE MICROWAVE CORPORATION</b> 20 Alpha Rd Chelmsford, MA 01824		TITLE			
		<b>SCH, CUSTOMER EVALUATION</b>			
PROJECT	HMC983LP5E, HMC984LP4E				
DRAWING #:	130-00267-00			SHEET	3 OF 4
DRAWN BY	K. SHEIKH	DATE	07/27/2011	CODE ID NO.	1CN88
				SIZE	C
				REV	A





 <b>HITTITE MICROWAVE CORPORATION</b> 20 Alpha Rd Chelmsford, MA 01824		<b>TITLE</b> SCH, CUSTOMER EVALUATION			
		<b>PROJECT</b> HMC983LP5E, HMC984LP4E		SHEET 4 OF 4	
<b>DRAWING #:</b> 130-00267-00		CODE ID NO. 1CN88		SIZE C	
<b>DRAWN BY:</b> K. SHEIKH		DATE 07/27/2011		REV A	
26-08-2011_14:06					