

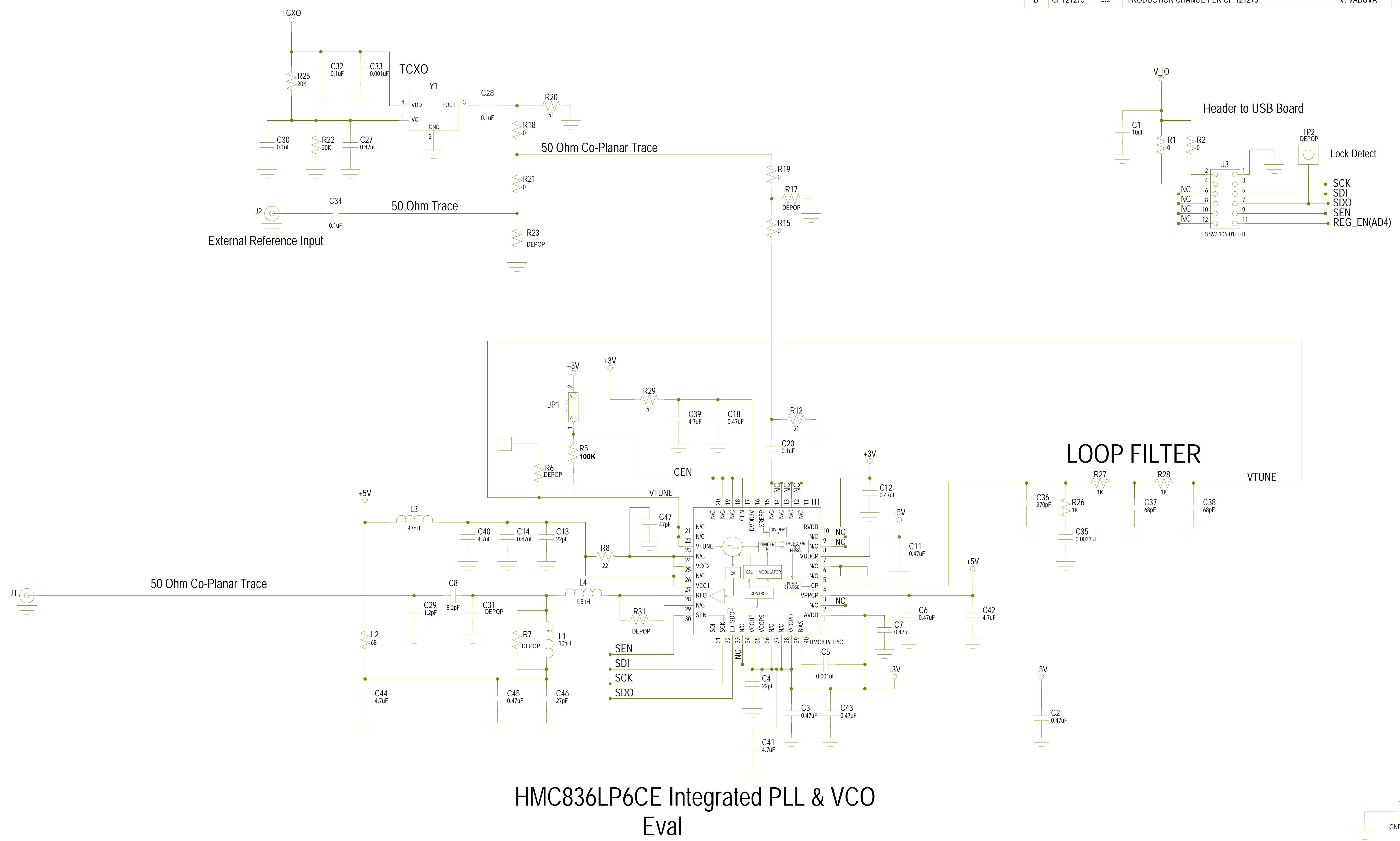
Analog Devices Welcomes Hittite Microwave Corporation

NO CONTENT ON THE ATTACHED DOCUMENT HAS CHANGED



THIS PAGE INTENTIONALLY LEFT BLANK

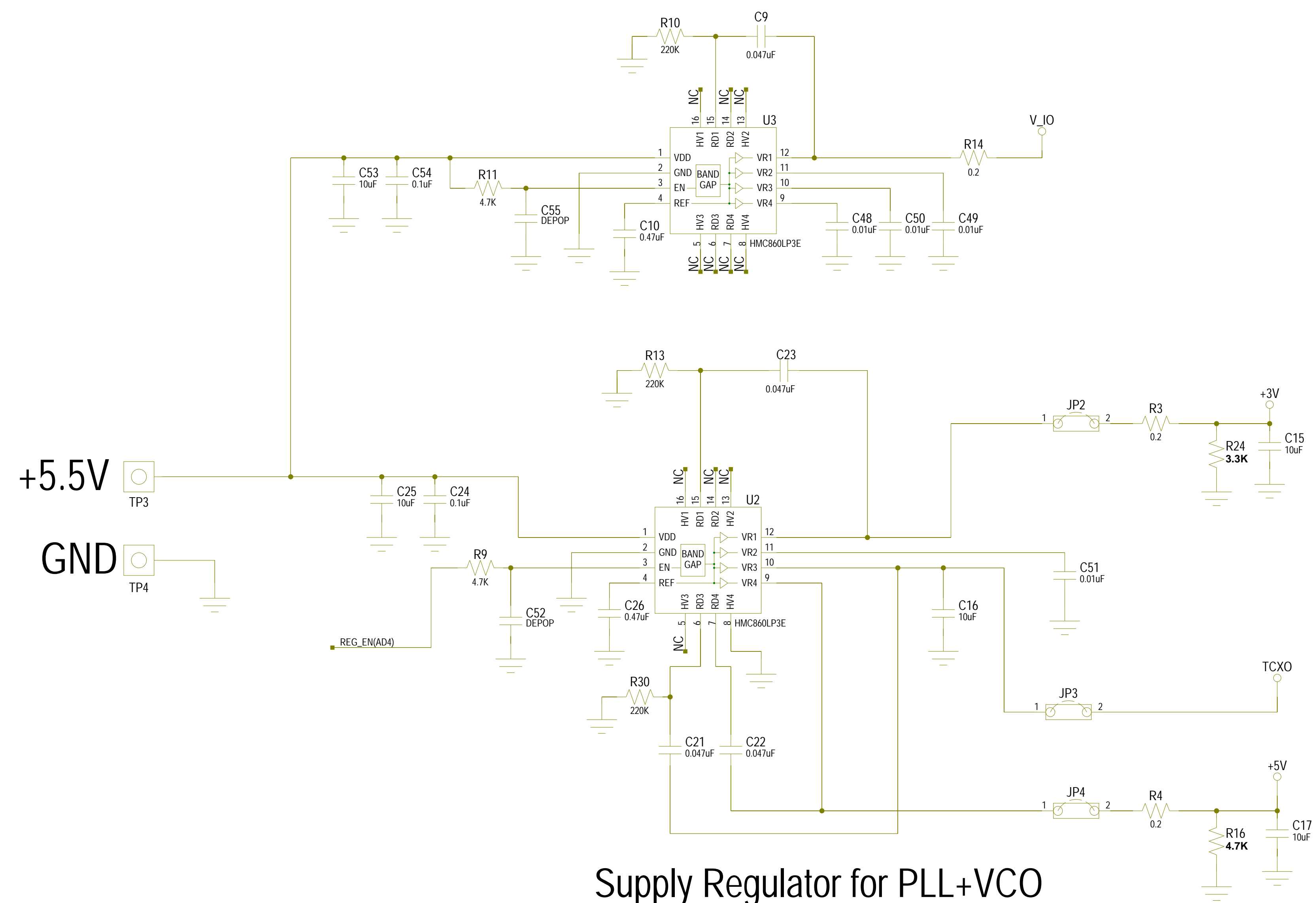
REVISIONS					
REV	ECN#	ZONE	DESCRIPTION	NAME	DATE
A	20100115	PRODUCTION RELEASE PER ECN 20100115	D. YOUNG	24/01/10
B	CP121275	PRODUCTION CHANGE PER CP 121275	V. VADUVA	09/14/2012



HMC836LP6CE Integrated PLL & VCO Eval

HITTITE MICROWAVE CORPORATION 20 Alpha Rd Chelmsford, MA 01824				
TITLE SCH, CUSTOMER EVALALUATION PLL & VCO				
PROJECT 129272				
DRAWING #: 129272		SHEET 1 OF 2		
DRAWN BY: D.YOUNG		DATE: 10/01/2010		REV B
CODE ID NO: 1CN88		SIZE D		

NOTICE OF PROPRIETARY PROPERTY: THIS DOCUMENT AND THE INFORMATION CONTAINED IN IT ARE THE PROPRIETARY PROPERTY OF HITTITE MICROWAVE CORPORATION. IT MAY NOT BE COPIED OR USED IN ANY MANNER NOR MAY ANY OF THE INFORMATION OR UPON IT BE USED FOR ANY PURPOSE, WITHOUT THE EXPRESSED WRITTEN CONSENT OF AN AUTHORIZED AGENT OF HITTITE MICROWAVE CORPORATION.



Supply Regulator for PLL+VCO

A recommended design practice is to connect the regulator Enable Pin #3 through a 4.7kOhm resistor to the system microcontroller/FPGA for power management control
 Small series resistors required in VR1 and VR4 output paths, as shown