

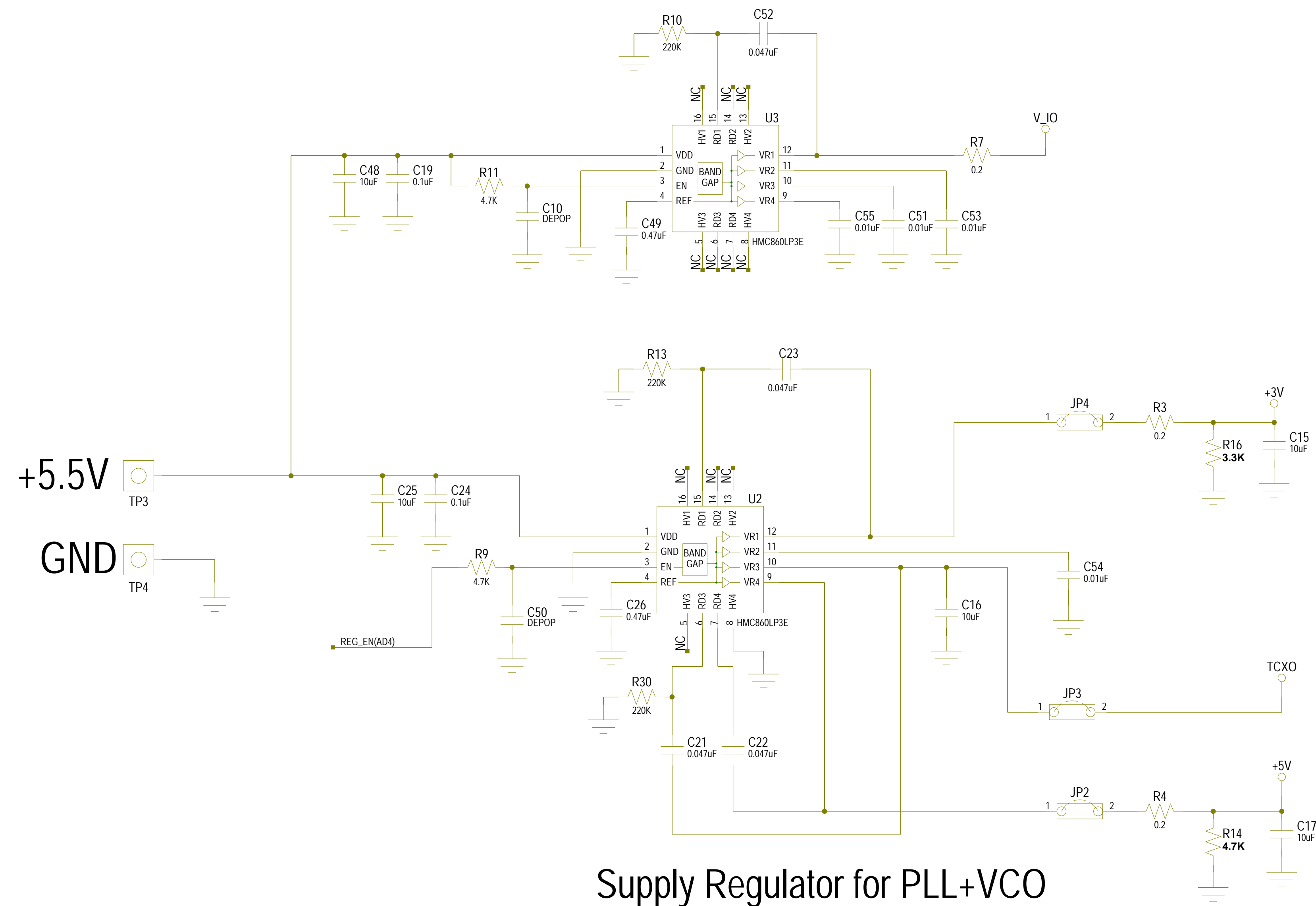
# Analog Devices Welcomes Hittite Microwave Corporation

NO CONTENT ON THE ATTACHED DOCUMENT HAS CHANGED




**THIS PAGE INTENTIONALLY LEFT BLANK**





Supply Regulator for PLL+VCO

A recommended design practice is to connect the regulator Enable Pin #3 through a 4.7kOhm resistor to the system microcontroller/FPGA for power management control  
 Small series resistors required in VR1 and VR4 output paths, as shown

 <b>HITTITE MICROWAVE CORPORATION</b> 20 Alpha Rd Chelmsford, MA 01824	
<b>TITLE</b> SCH, CUSTOMER EVALALUATION PLL & VCO	
<b>PROJECT</b> DRAWING #: 129270	
SHEET 2 OF 2 CODE ID NO. 1CN88 SIZE D REV B	
DRAWN BY D.YOUNG	DATE 10/01/2010