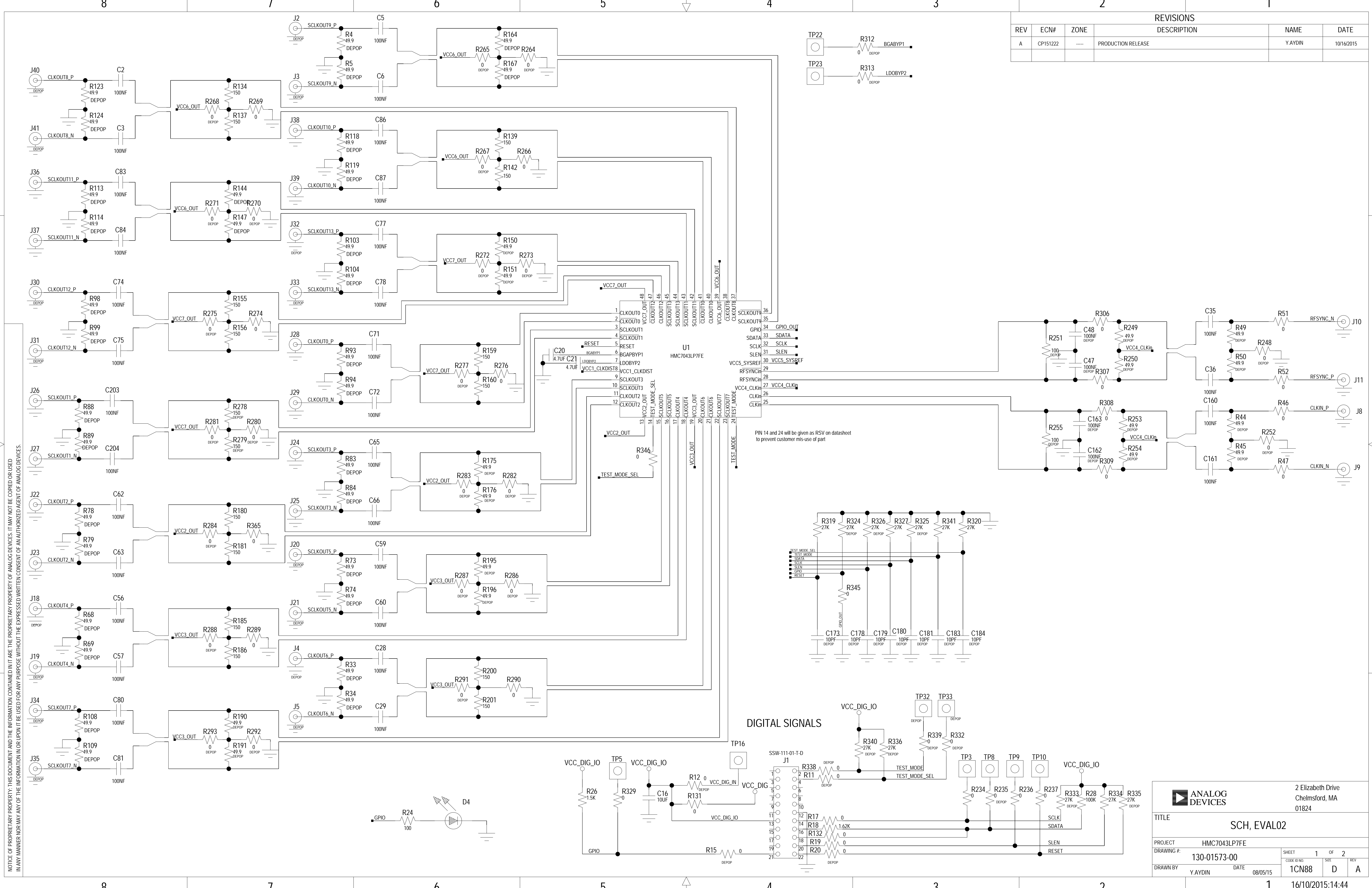


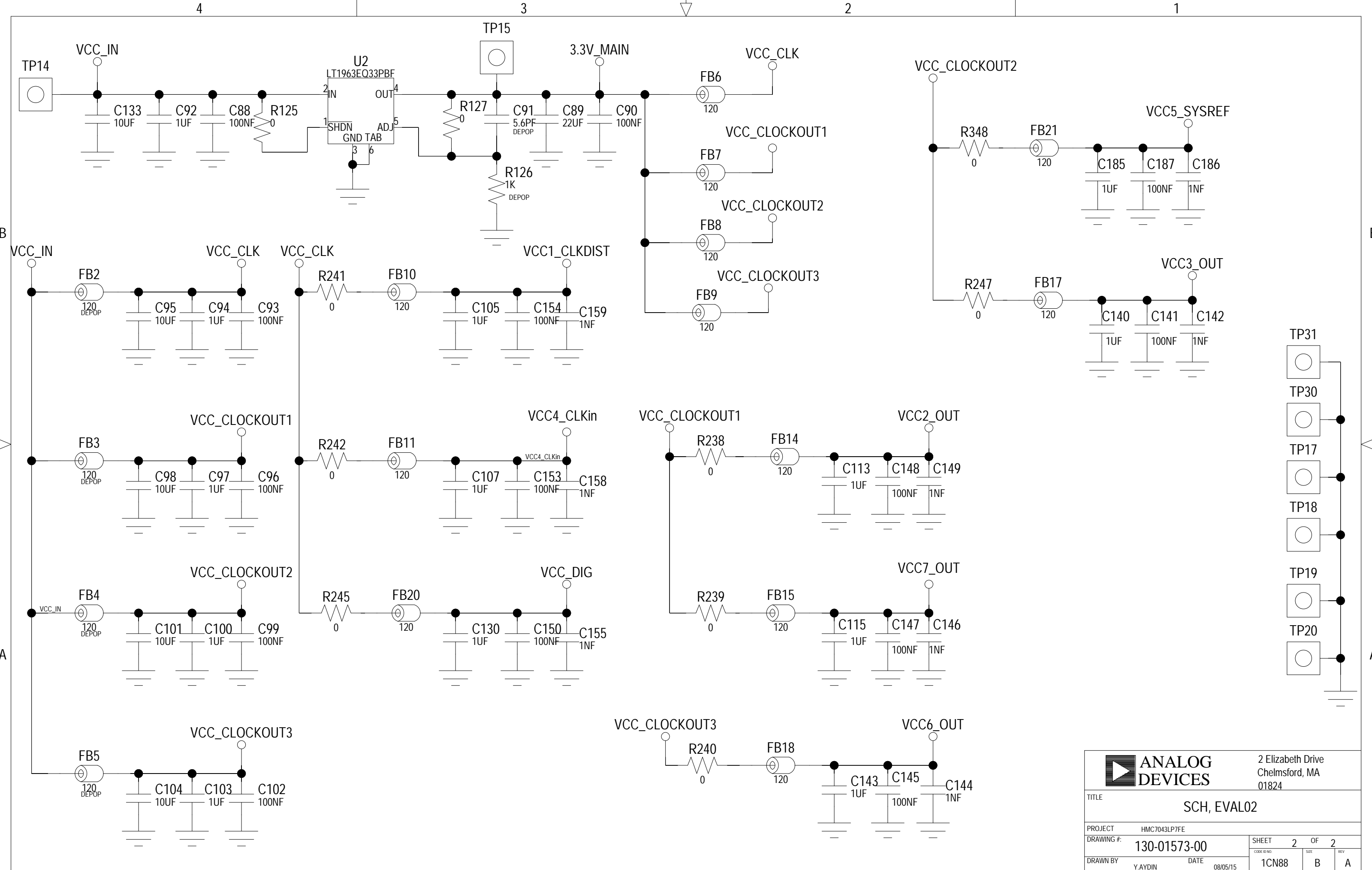
REVISIONS					
REV	ECN#	ZONE	DESCRIPTION	NAME	DATE
A	CP151222	----	PRODUCTION RELEASE	Y.AYDIN	10/16/2015



NOTICE OF PROPRIETARY PROPERTY: THIS DOCUMENT AND THE INFORMATION CONTAINED IN IT ARE THE PROPRIETARY PROPERTY OF ANALOG DEVICES. IT MAY NOT BE COPIED OR USED IN ANY MANNER NOR MAY ANY OF THE INFORMATION IN OR UPON IT BE USED FOR ANY PURPOSE WITHOUT THE EXPRESSED WRITTEN CONSENT OF AN AUTHORIZED AGENT OF ANALOG DEVICES.

DIGITAL SIGNALS

		2 Elizabeth Drive Chelmsford, MA 01824	
TITLE SCH, EVAL02			
PROJECT HMC7043LP7FE		CODE ID NO. 1 OF 2	
DRAWING #: 130-01573-00		DATE 08/05/15	
DRAWN BY Y.AYDIN		SIZE D	
DATE 08/05/15		REV A	



		2 Elizabeth Drive Chelmsford, MA 01824	
		TITLE SCH, EVAL02	
PROJECT	HMC7043LP7FE	SHEET	2 OF 2
DRAWING #:	130-01573-00	CODE ID NO.	1CN88
DRAWN BY:	Y.AYDIN	DATE	08/05/15
		SIZE	B
		REV	A