

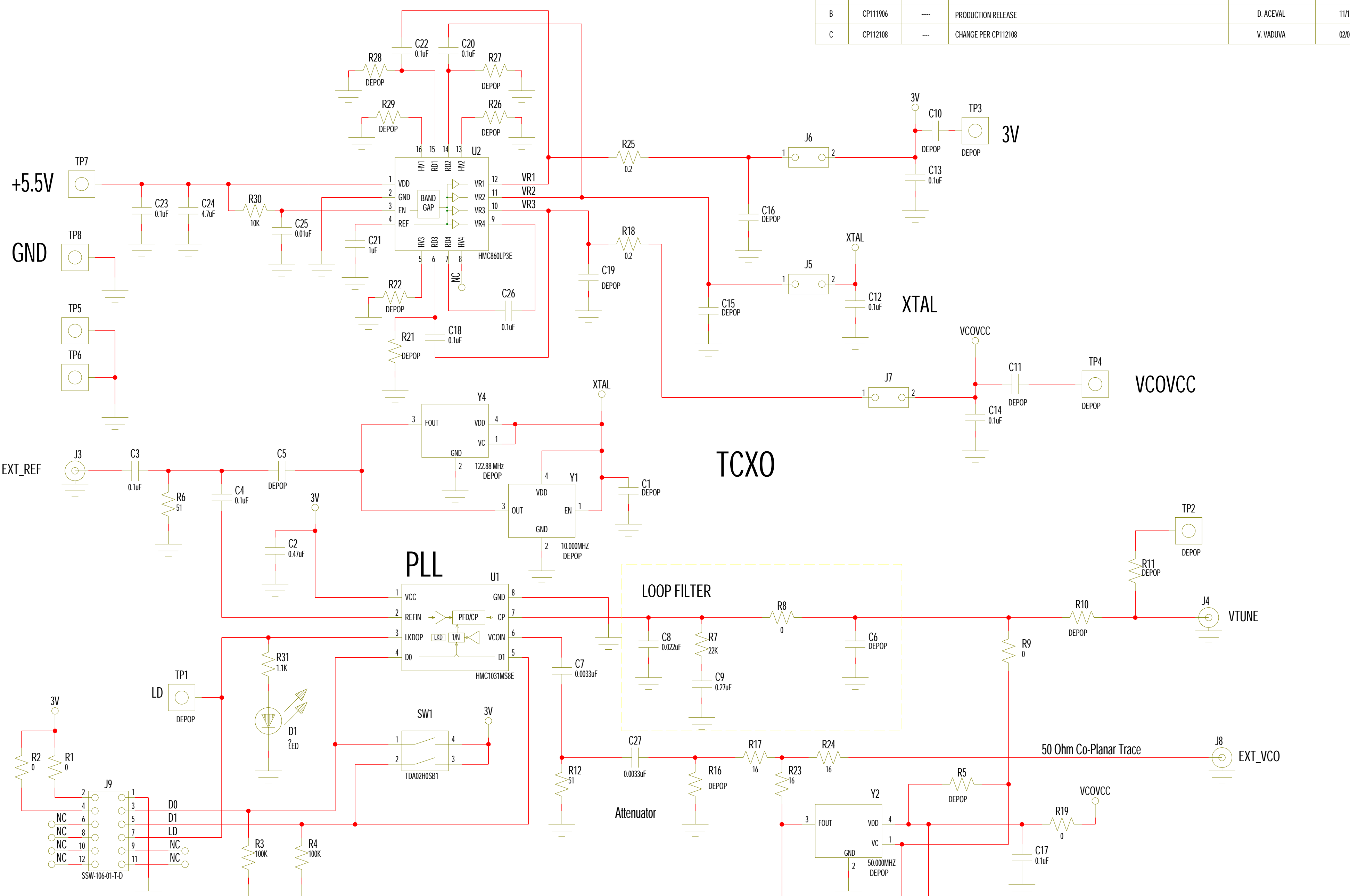
Analog Devices Welcomes Hittite Microwave Corporation

NO CONTENT ON THE ATTACHED DOCUMENT HAS CHANGED



THIS PAGE INTENTIONALLY LEFT BLANK

REVISIONS					
REV	ECN#	ZONE	DESCRIPTION	NAME	DATE
B	CP111906	----	PRODUCTION RELEASE	D. ACEVAL	11/17/2011
C	CP112108	----	CHANGE PER CP112108	V. VADUVA	02/06/2012



DIVIDER CONTROL

	D1	D0
POWER DOWN	0	0
DIVIDE BY 1	0	1
DIVIDE BY 5	1	0
DIVIDE BY 10	1	1

HITTITE MICROWAVE CORPORATION
20 Alpha Rd Chelmsford, MA 01824

TITLE
SCH, CUSTOMER EVALUATION

PROJECT HMC1031MS8E
DRAWING #: 130-00139-00

DRAWN BY V.VADUVA
DATE 02/19/2011

SHEET 1 **OF** 1
CODE ID NO. 1CN88
SIZE C
REV C

14-03-2012_13:27

NOTICE OF PROPRIETARY PROPERTY: THIS DOCUMENT AND THE INFORMATION CONTAINED HEREIN ARE THE PROPRIETARY PROPERTY OF HITTITE MICROWAVE CORPORATION. IT MAY NOT BE COPIED OR USED IN ANY MANNER NOR MAY ANY OF THE INFORMATION OR UPON IT BE USED FOR ANY PURPOSE WITHOUT THE EXPRESSED WRITTEN CONSENT OF AN AUTHORIZED AGENT OF HITTITE MICROWAVE CORPORATION.