

ADSP-BF548 Isolated Transceivers EvalBoard

 ANALOG DEVICES		 EBSYS Embedded Systems Technology	
Designed by M. ABID	Project Title BF548 Isolated Transceivers EvalBoard		
Drawn by M. ABID	Page Title Title		
Approved by C. REBAI	Size C	Board No. EB-201201	Rev 1.9
Date Friday, October 19, 2012		Sheet 1	of 12

Rev. N°	Date	Changes done	Achived by	Verified by	Approved by
0.1	October 03, 2011	Basic design	M. ABID	C. REBAI	C. REBAI
1.1	December 02, 2011	Major revision	M. ABID	C. REBAI	C. REBAI
1.2	December 02, 2011	Change R68 & R69 value to 60R4. Add JP17-35, U42, U43, U44, R101-105, J25, C234, C235, C236, C237. Remove R70, R80, J11, U24, U14, U15, C145, C144, C143, C148, C147, C146.	M. ABID	C. REBAI	C. REBAI
1.3	December 30, 2011	Add JP36, JP37, JP38, JP39, R106, R107, R108, R109, R110. Add J26.	M. ABID	C. REBAI	C. REBAI
1.4	January 06, 2012	Add JP40, R111	M. ABID	C. REBAI	C. REBAI
1.5	January 09, 2012	Update C3 PN Add C238-C245 Delete D1, Add D9	M. ABID	C. REBAI	C. REBAI
1.6	March 08, 2012	Apply DNP to ETHERNET	M. ABID	C. REBAI	C. REBAI
1.7	May 11, 2012	Update block diagram, add note to ETHERNET circuit	M. ABID	C. REBAI	C. REBAI
1.8	July 12, 2012	Add R112, R113, R114, J27, Add UART3 CTS and RTS connection, Remouve J6	M. ABID	C. REBAI	C. REBAI
1.9	October 19, 2012	Remove DNP to Ethernet circuitry	M. ABID	C. REBAI	C. REBAI

This document contains information proprietary to Embedded Systems Technology (EBSYS) company and shall not be used for engineering design, procurement or manufacture in whole or in part without the express written permission of EBSYS company.




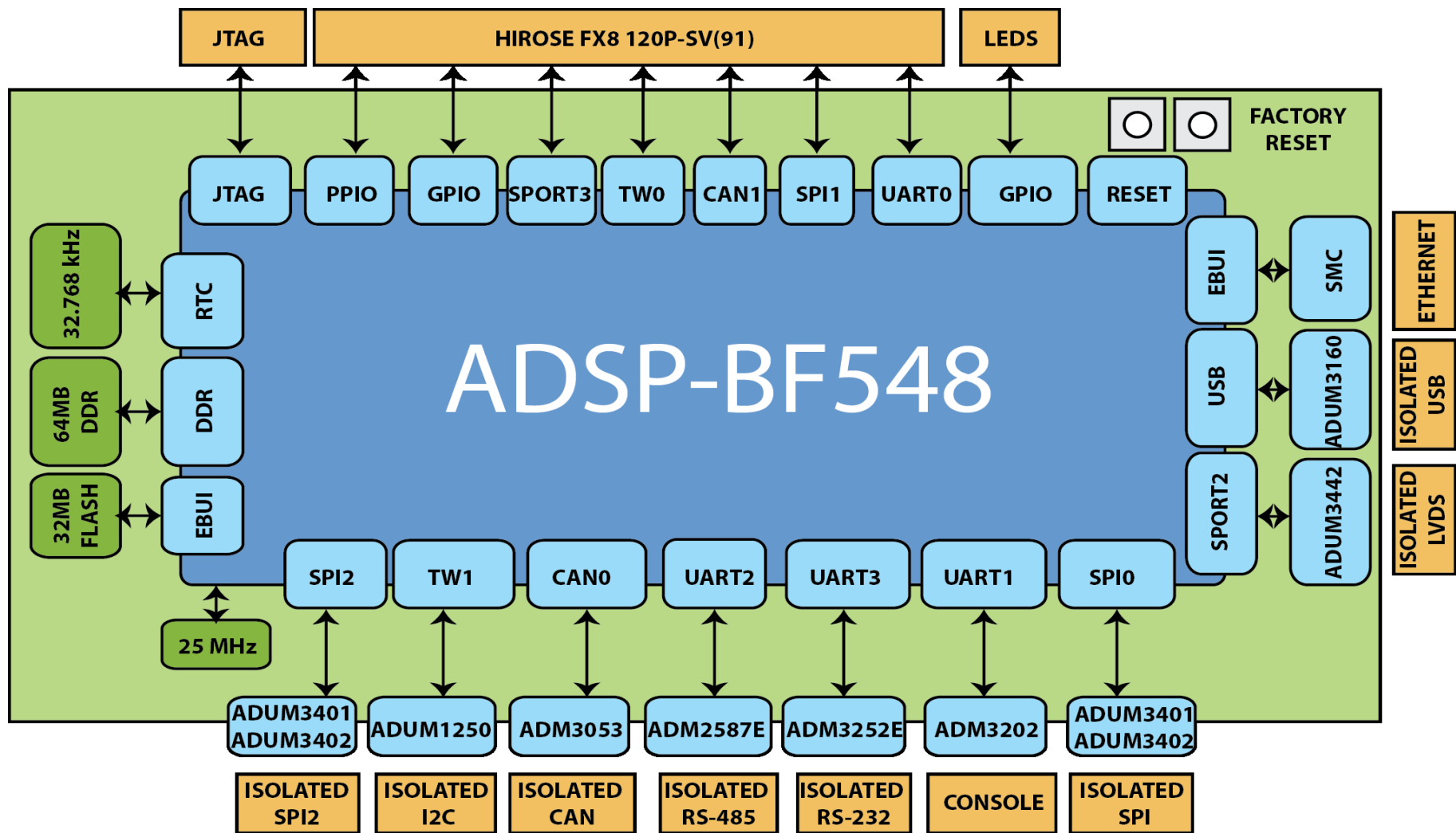
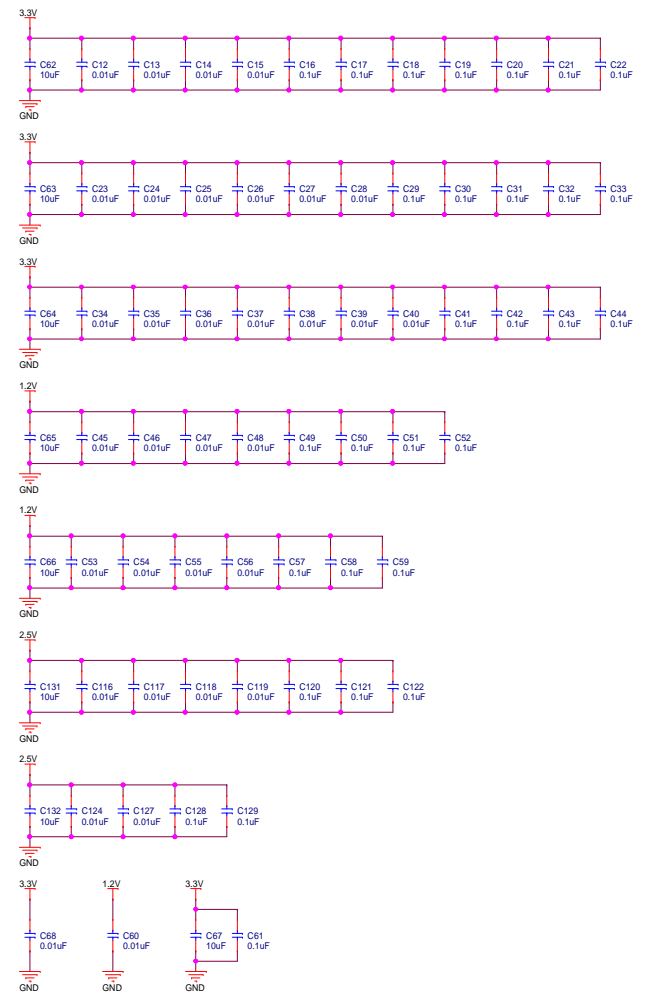
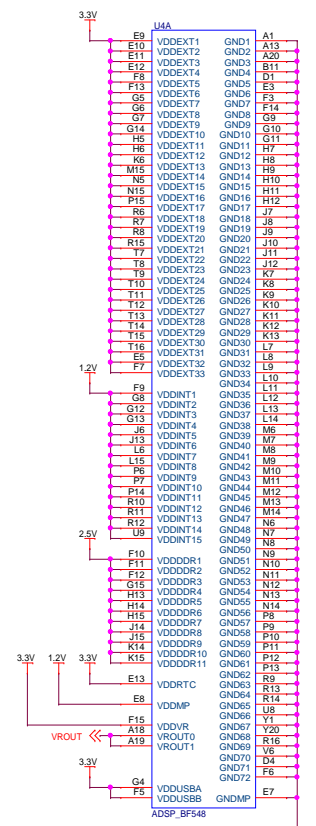
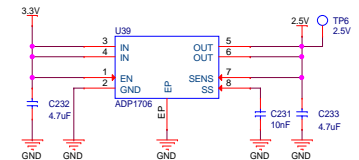
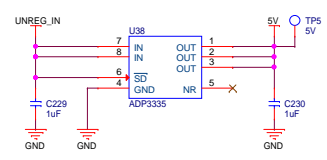
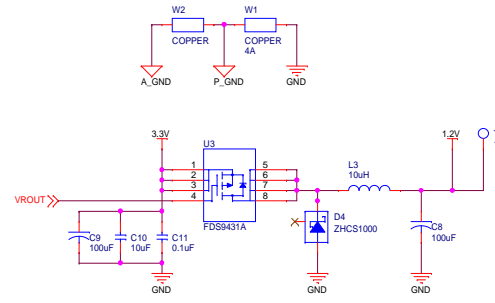
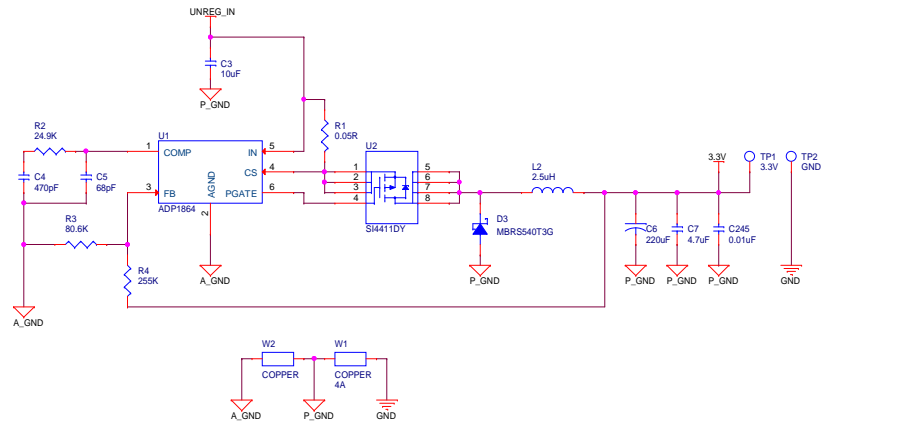
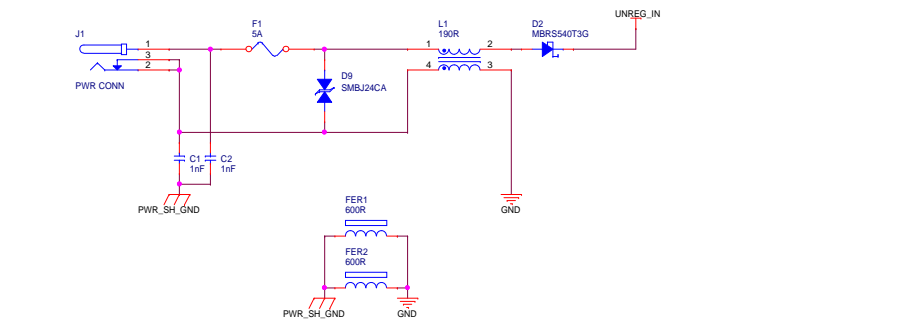
			
Designed by M. ABID	Project Title BF548 Isolated Transceivers EvalBoard		
Drawn by M. ABID	Page Title Notes & Revision table		
Approved by C. REBAI	Size C	Board No. EB-201201	Rev 1.9
Date Friday, October 19, 2012		Sheet 2 of 12	

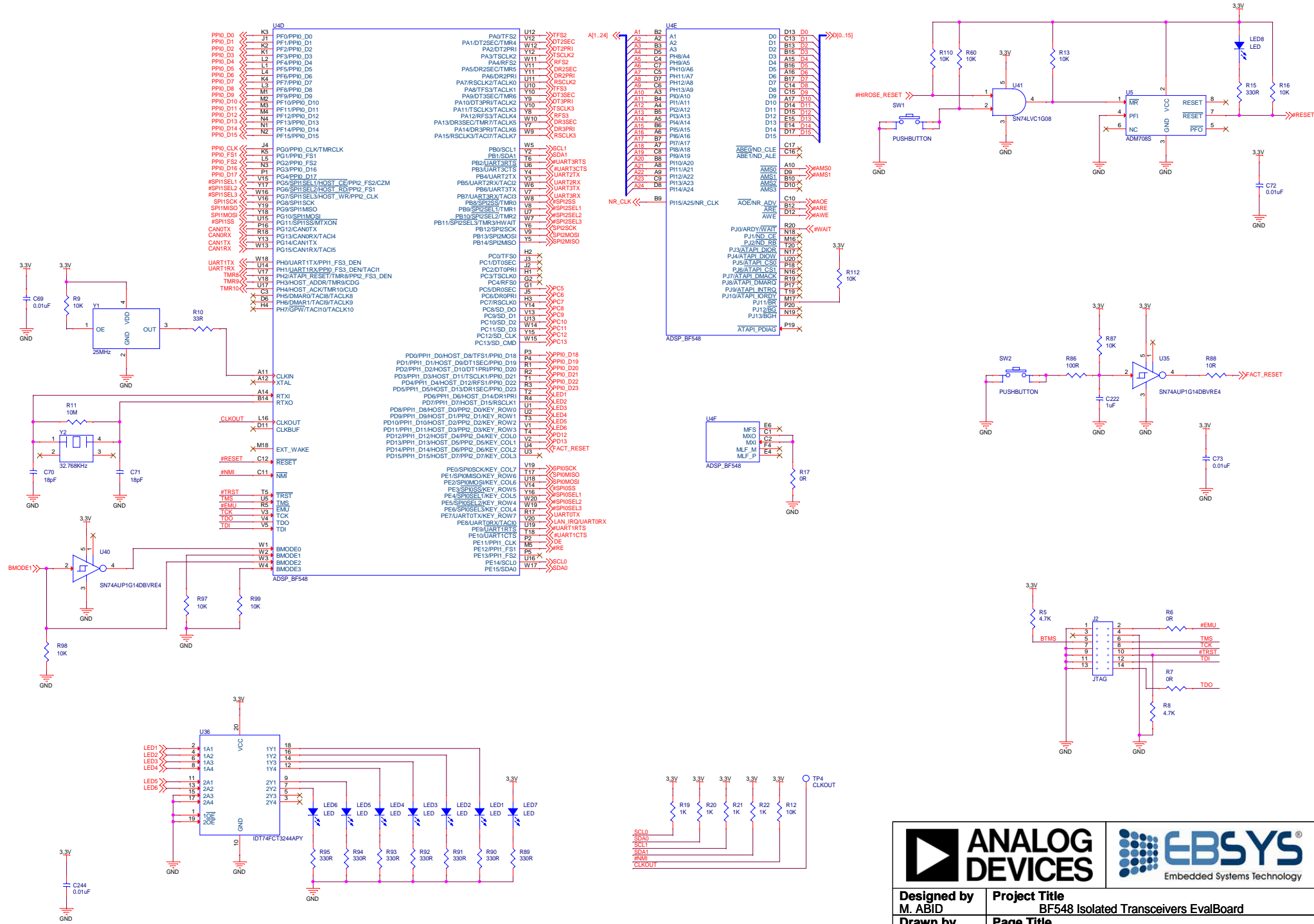
Table of Contents	Page
Block Diagram	04
Power Section	05
DSP, RESET, LED, JTAG	06
DDR, FLASH	07
ETHERNET	08
USB, RS232, RS485	09
CAN, I2C, SPI	10
LVDS	11
HIROSE	12



			
Designed by M. ABID	Project Title BF548 Isolated Transceivers EvalBoard		
Drawn by M. ABID	Page Title Table of Contents		
Approved by C. REBAI	Size C	Board No. EB-201201	Rev 1.9
Date Friday, October 19, 2012		Sheet 3 of 12	

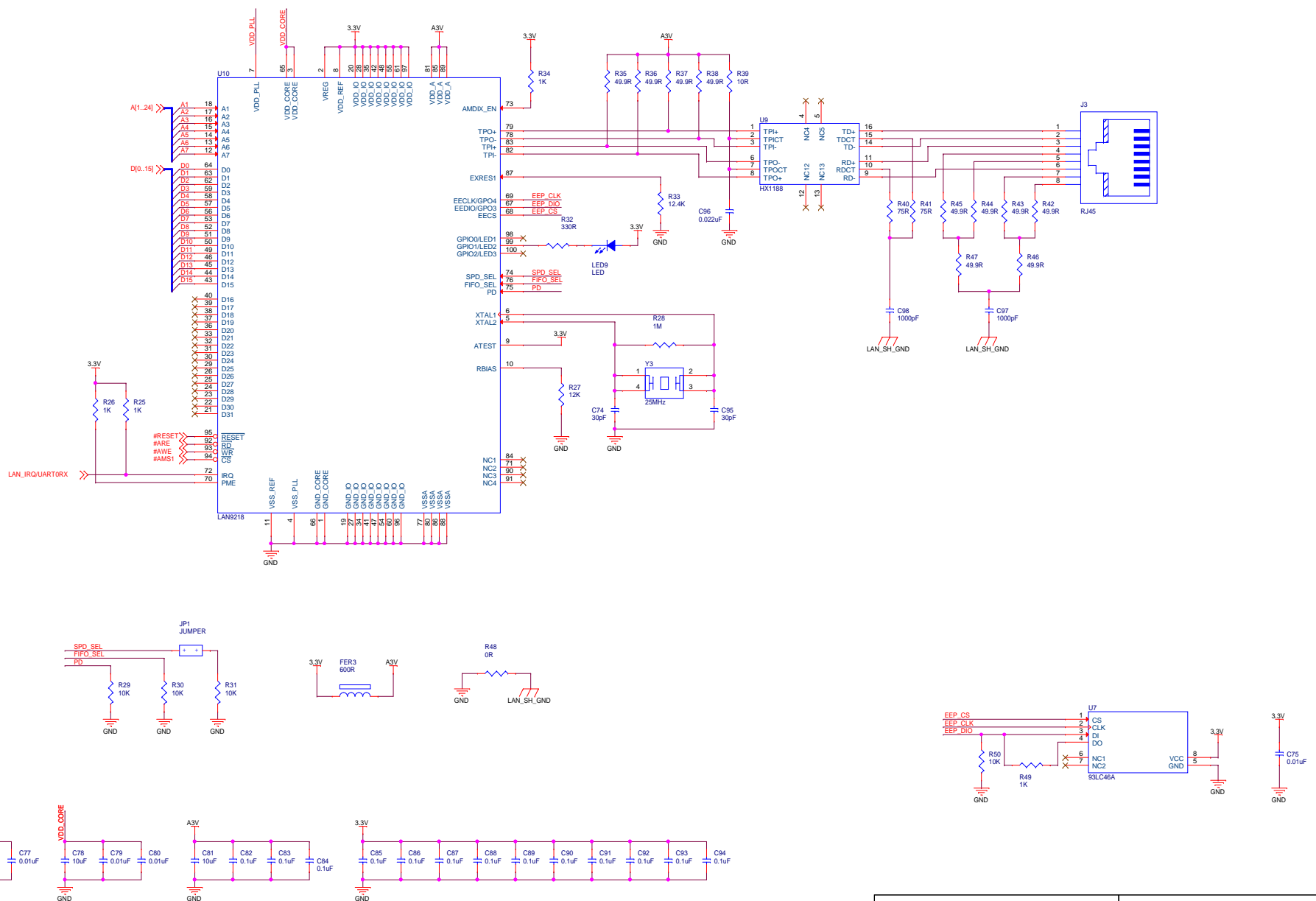




Drawn by M. ABID		Page Title Power Section	
Approved by C. REBAI	Size C	Board No. EB-201201	Rev 1.8
Date Wednesday, October 10, 2012			Sheet 5 of 12





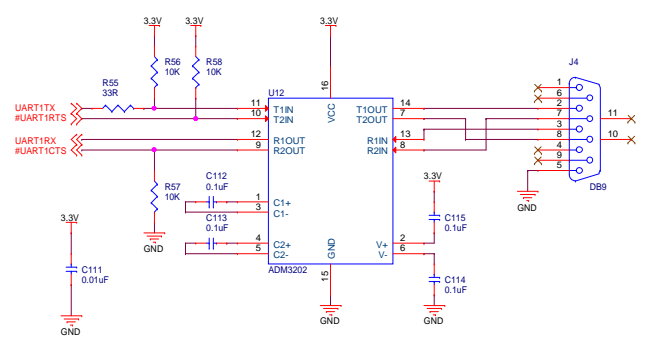
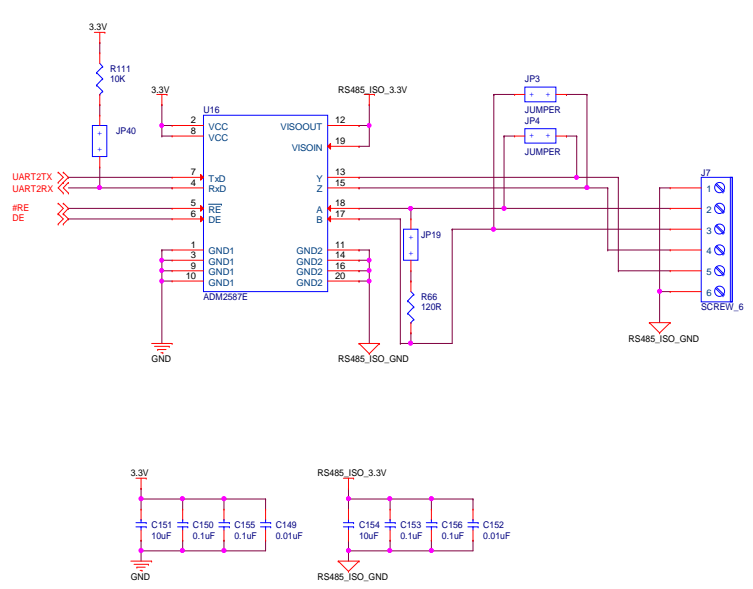
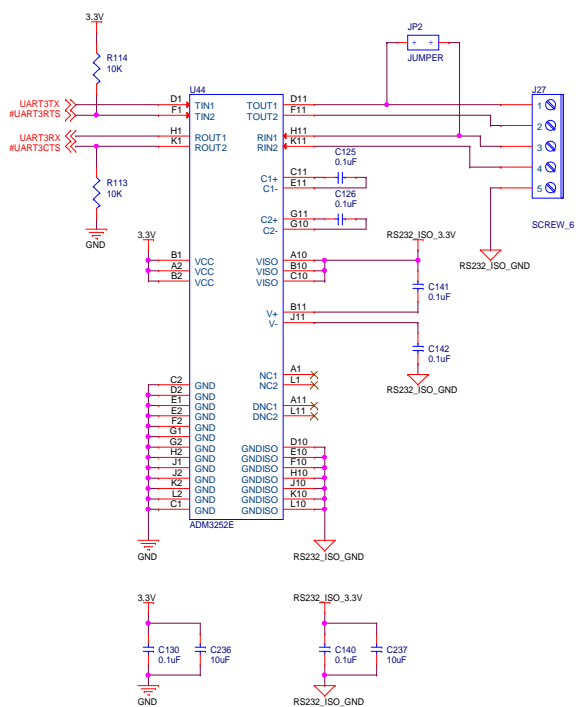
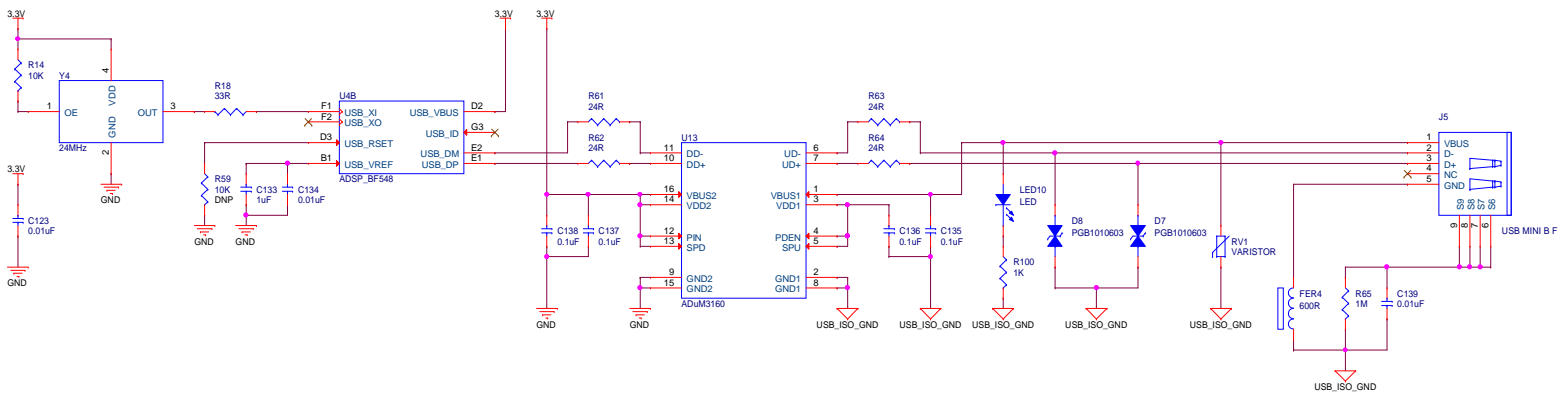
 			
Designed by M. ABID	Project Title BF548 Isolated Transceivers EvalBoard		
Drawn by M. ABID	Page Title DSP, RESET, LED, JTAG		
Approved by C. REBAI	Size C	Board No. EB-201201	Rev 1.8
Date Thursday, July 12, 2012		Sheet 6 of 12	





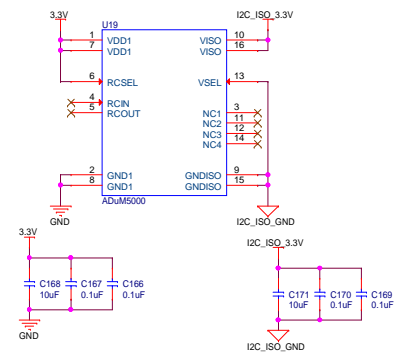
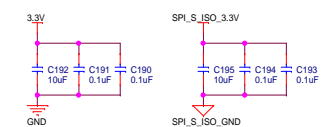
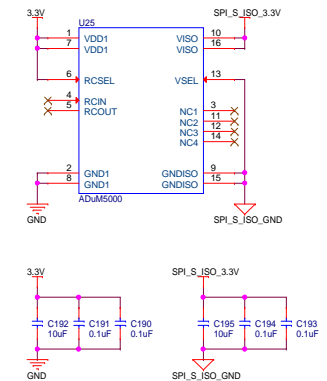
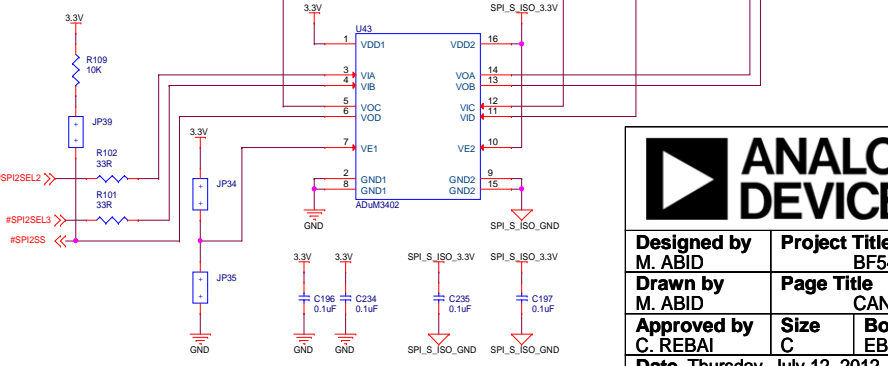
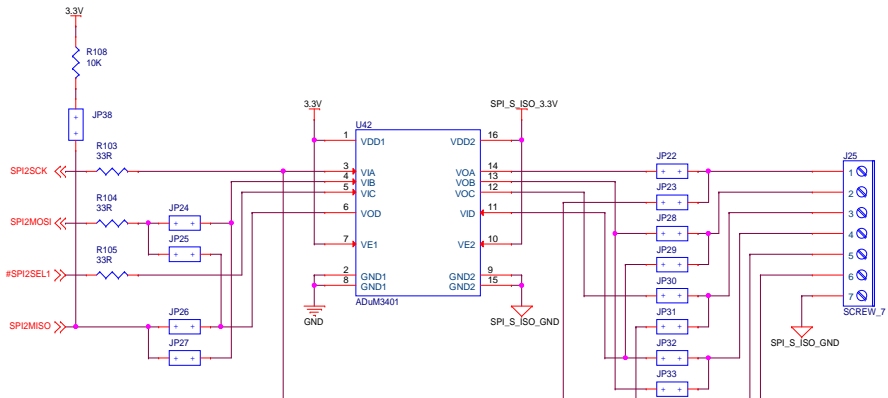
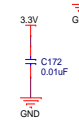
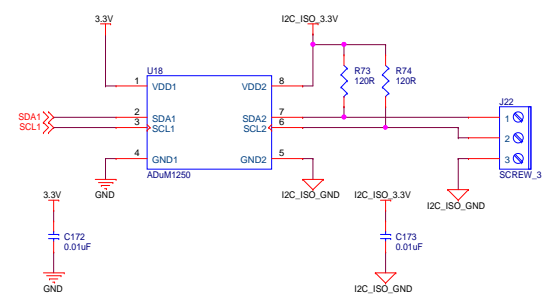
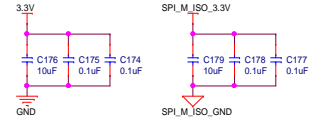
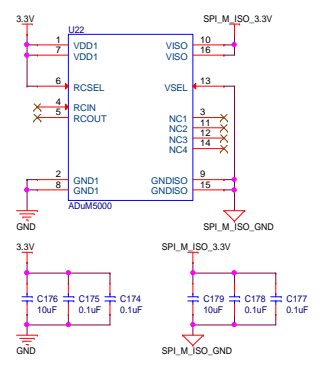
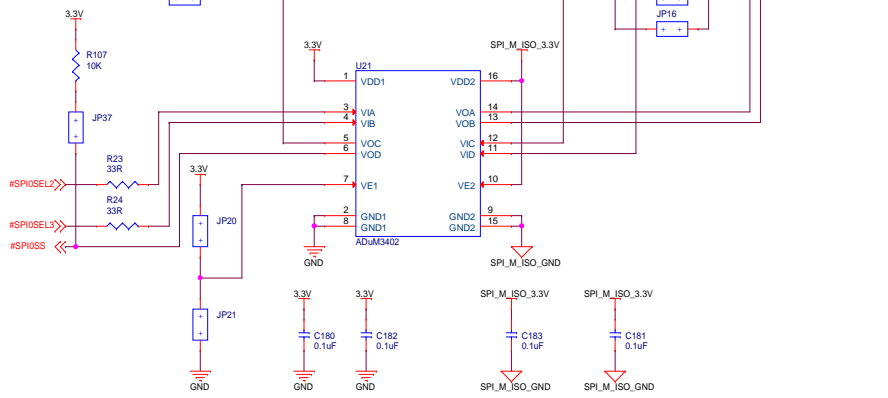
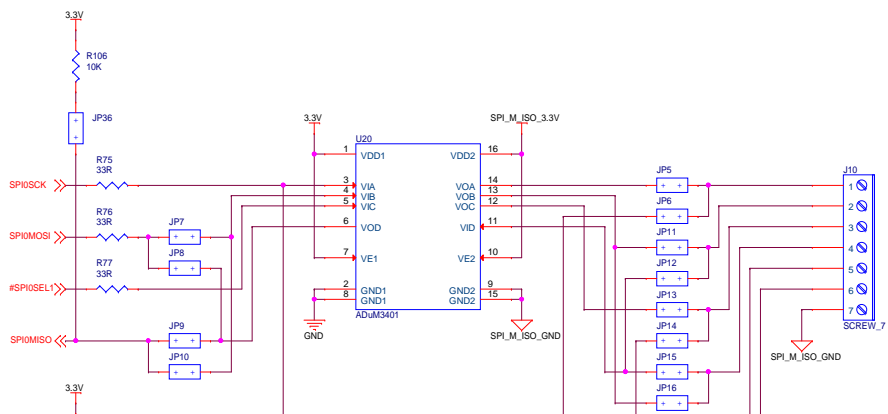
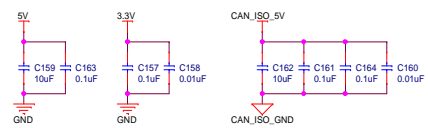
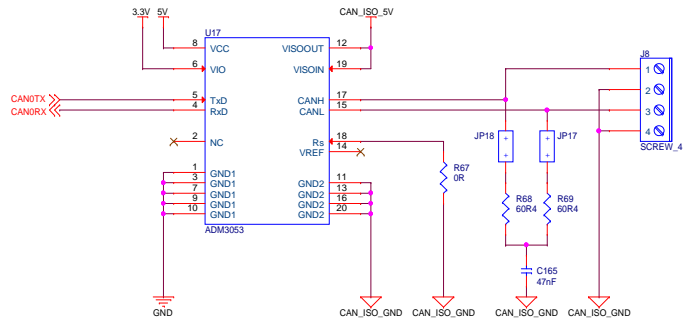
NOTE : Ethernet circuit is optional and is not fitted on the standard board.

DNP : Do Not Populate

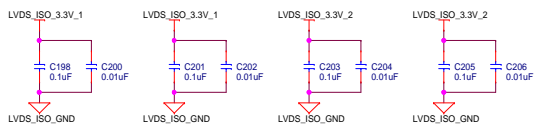
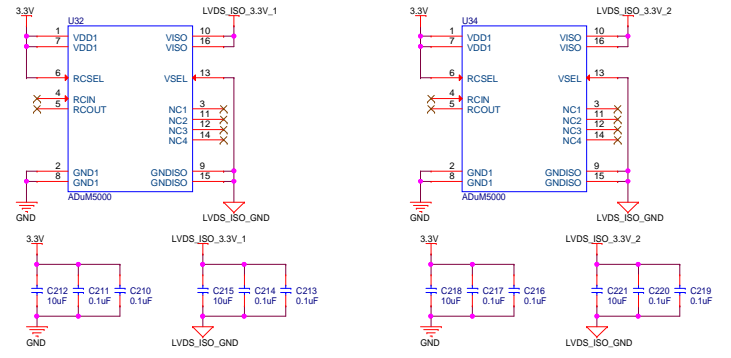
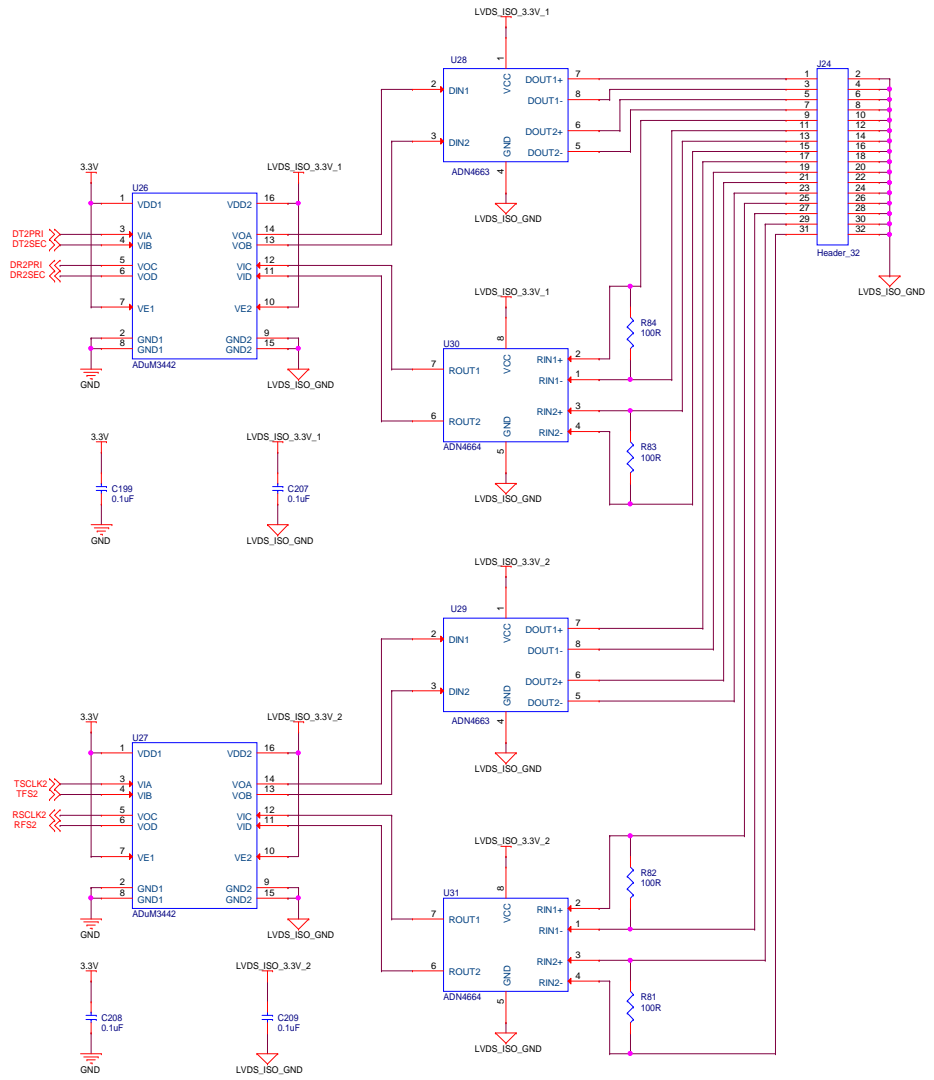
 	
Designed by M. ABID	Project Title BF548 Isolated Transceivers EvalBoard
Drawn by M. ABID	Page Title ETHERNET
Approved by C. REBAI	Size C
Board No. EB-201201	Rev 1.9
Date Friday, October 19, 2012	
Sheet 8 of 12	





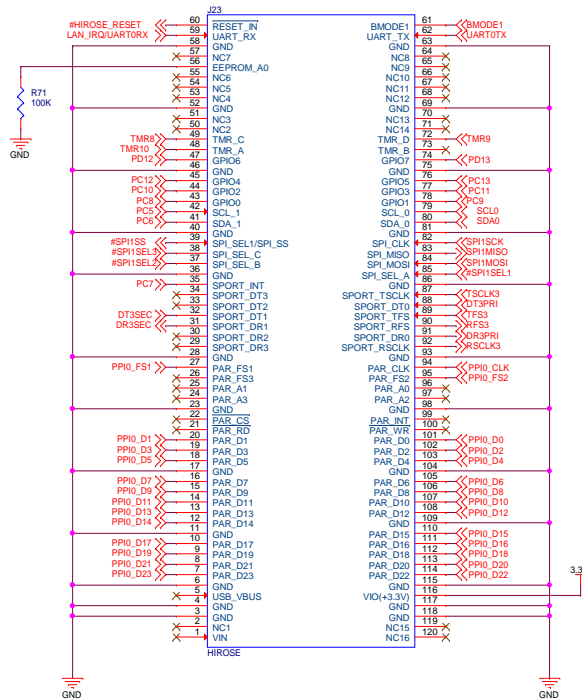
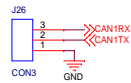
 			
Designed by M. ABID	Project Title BF548 Isolated Transceivers EvalBoard		
Drawn by M. ABID	Page Title USB, RS232, RS485		
Approved by C. REBAI	Size C	Board No. EB-201201	Rev 1.8
Date Wednesday, October 10, 2012		Sheet 9	of 12





Designed by M. ABID	Project Title BF548 Isolated Transceivers EvalBoard
Drawn by M. ABID	Page Title CAN, I2C, SPI
Approved by C. REBAI	Size C
Date Thursday, July 12, 2012	Board No. EB-201201
	Rev 1.8
	Sheet 10 of 12



 			
Designed by M. ABID	Project Title BF548 Isolated Transceivers EvalBoard		
Drawn by M. ABID	Page Title LVDS		
Approved by C. REBAI	Size C	Board No. EB-201201	Rev 1.8
Date Thursday, July 12, 2012		Sheet 11	of 12



			
Designed by M. ABID	Project Title BF548 Isolated Transceivers EvalBoard		
Drawn by M. ABID	Page Title HIROSE		
Approved by C. REBAI	Size C	Board No. EB-201201	Rev 1.8
Date Wednesday, October 10, 2012		Sheet 12	of 12