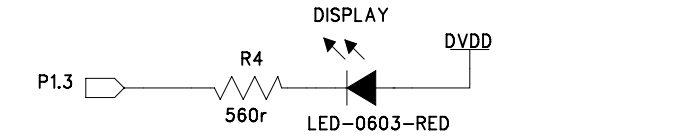
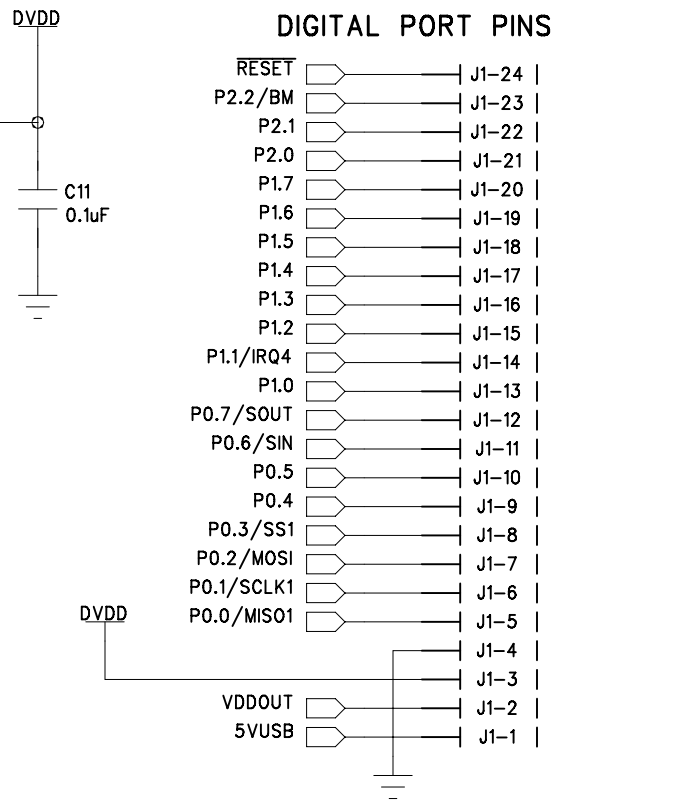
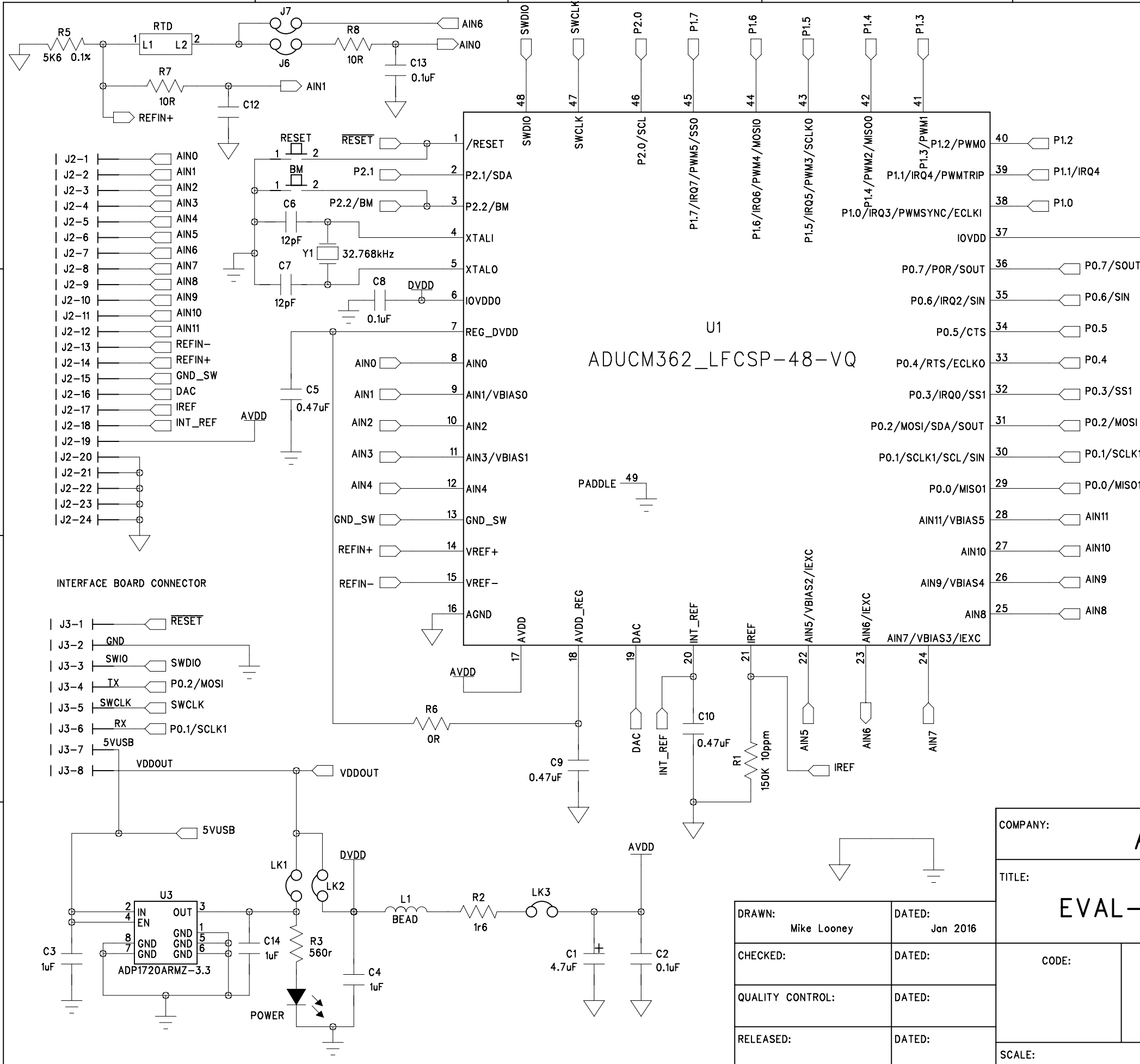


REVISION RECORD			
LTR	ECO NO:	APPROVED:	DATE:



COMPANY:				Analog Devices Inc.			
TITLE:				EVAL-ADuCM362QSPZ Schematic			
CODE:	SIZE:	DRAWING NO:		REV:			
		02-042342-01		A			
SCALE:				SHEET: 1 OF 1			

DRAWN:	DATED:
Mike Looney	Jan 2016
CHECKED:	DATED:
QUALITY CONTROL:	DATED:
RELEASED:	DATED:

D

C

B

A

D

C

B

A