

6

5

4

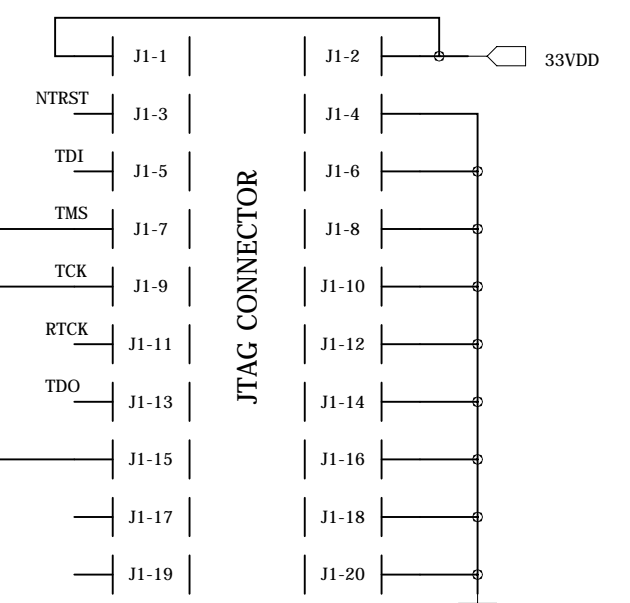
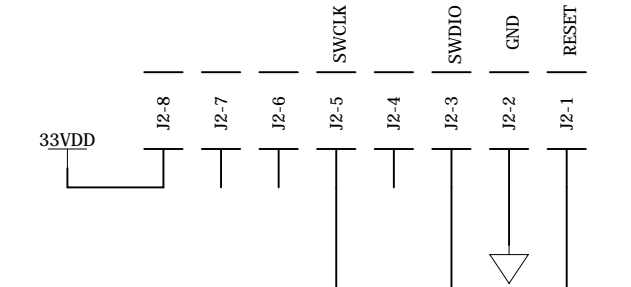
3

2

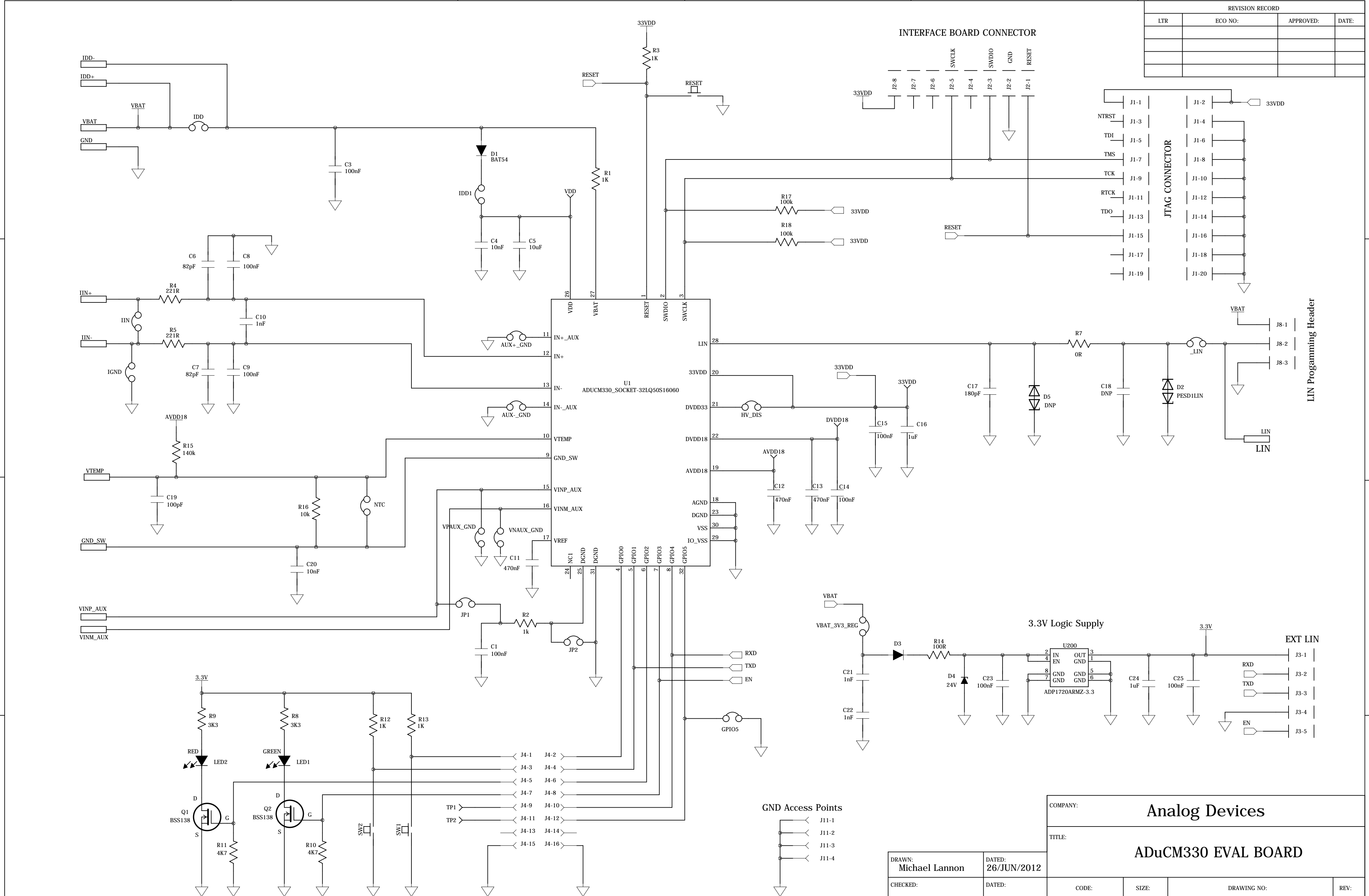
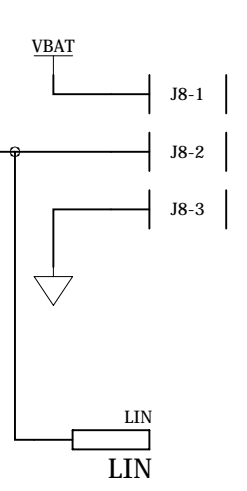
1

REVISION RECORD			
LTR	ECO NO:	APPROVED:	DATE:

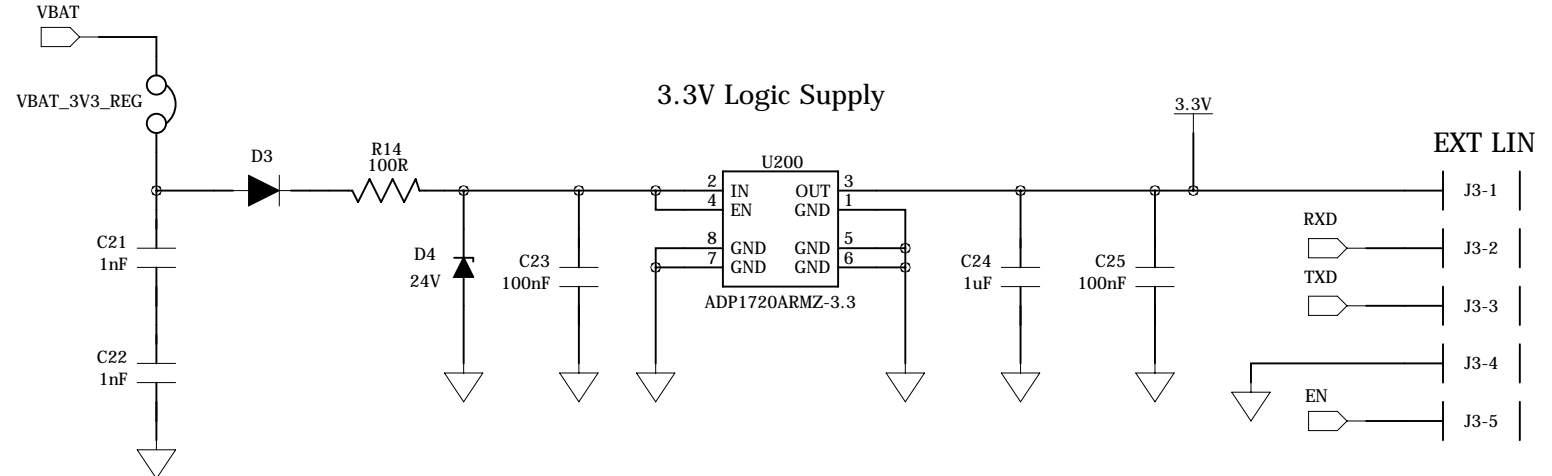
INTERFACE BOARD CONNECTOR



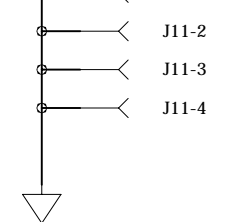
LIN Programming Header



3.3V Logic Supply



GND Access Points



COMPANY: Analog Devices			
TITLE: ADuCM330 EVAL BOARD			
CODE:	SIZE:	DRAWING NO:	REV:
A2	EVAL-ADuCM330EBZ		B
SCALE:			SHEET: 1 OF 1

DRAWN: Michael Lannon	DATED: 26/JUN/2012
CHECKED:	DATED:
QUALITY CONTROL:	DATED:
RELEASED:	DATED:

D

C

B

A

D

C

B

A