

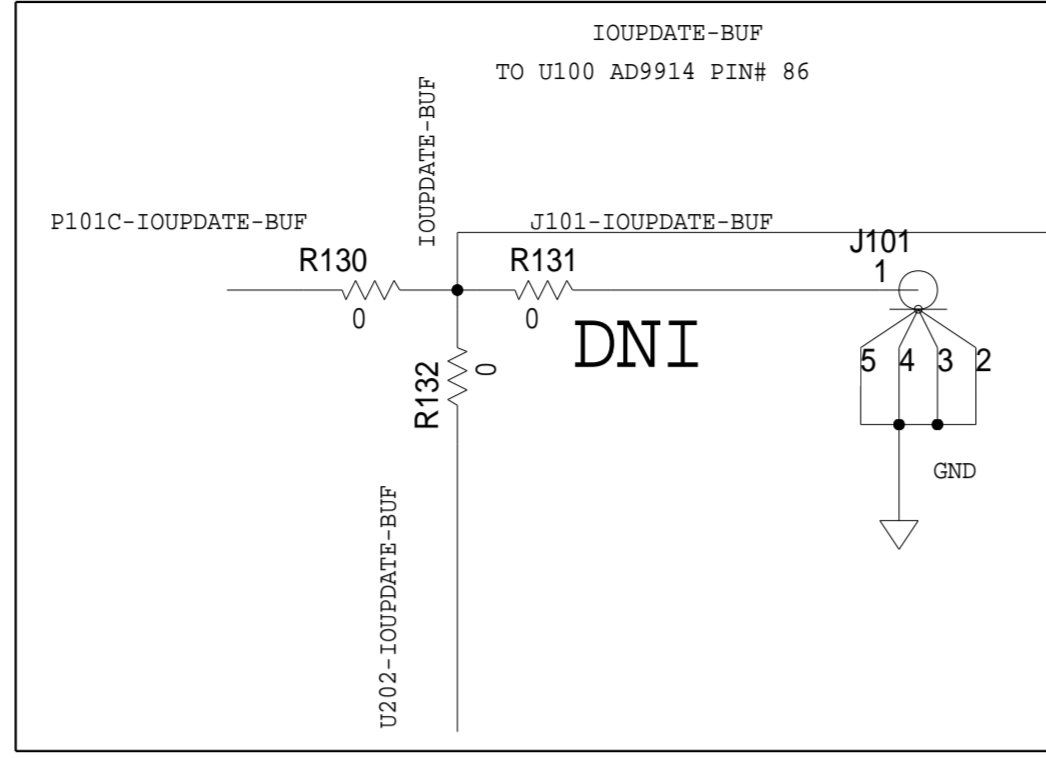
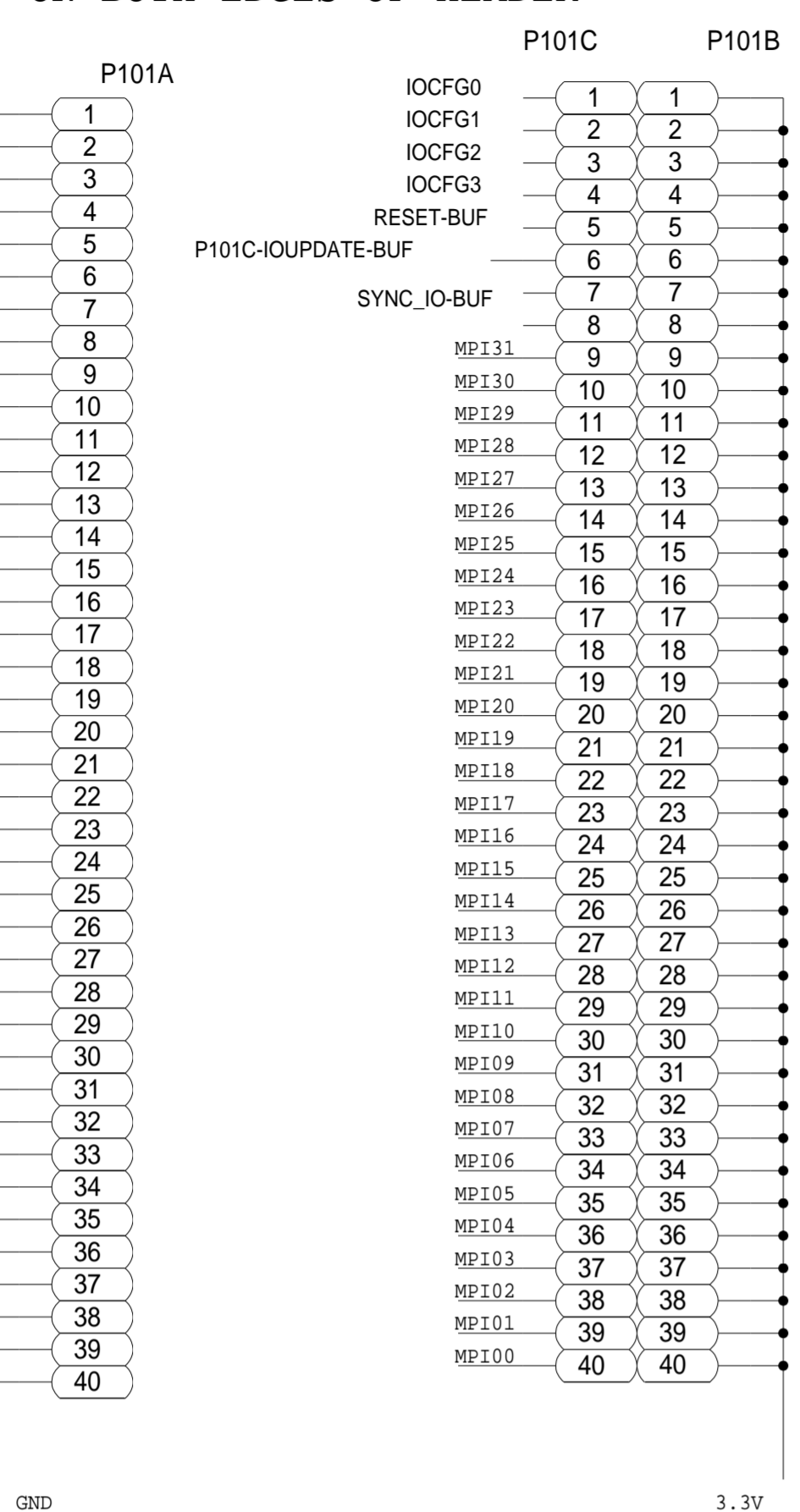
CONFIGURE AS TRIPLE ROW HEADER
 LABEL ALL SIGNALS ON SILKSCREEN AT PIN
 LABEL POWER/GND ON BOTH EDGES OF HEADER

D

C

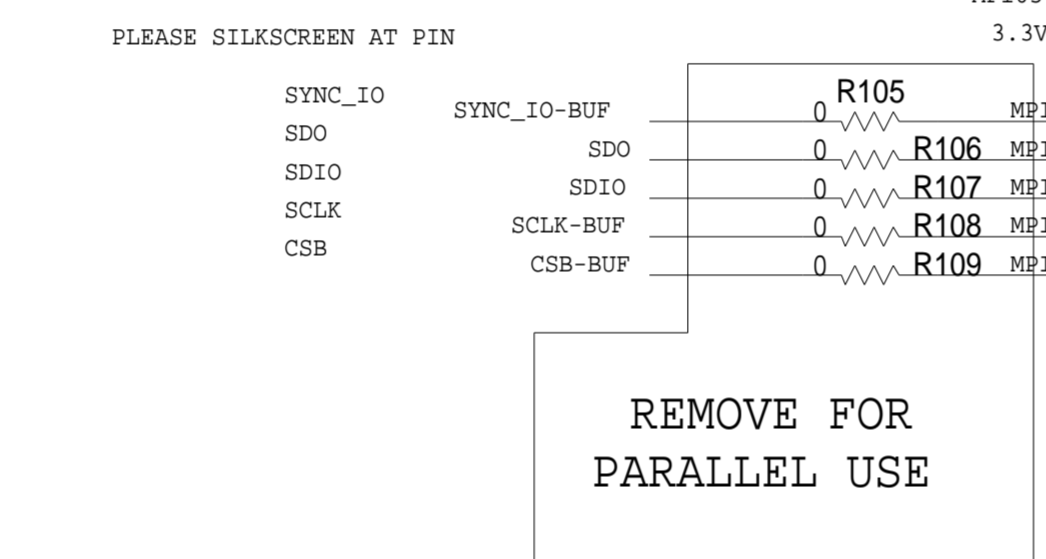
B

A



ONLY USE WITH J101

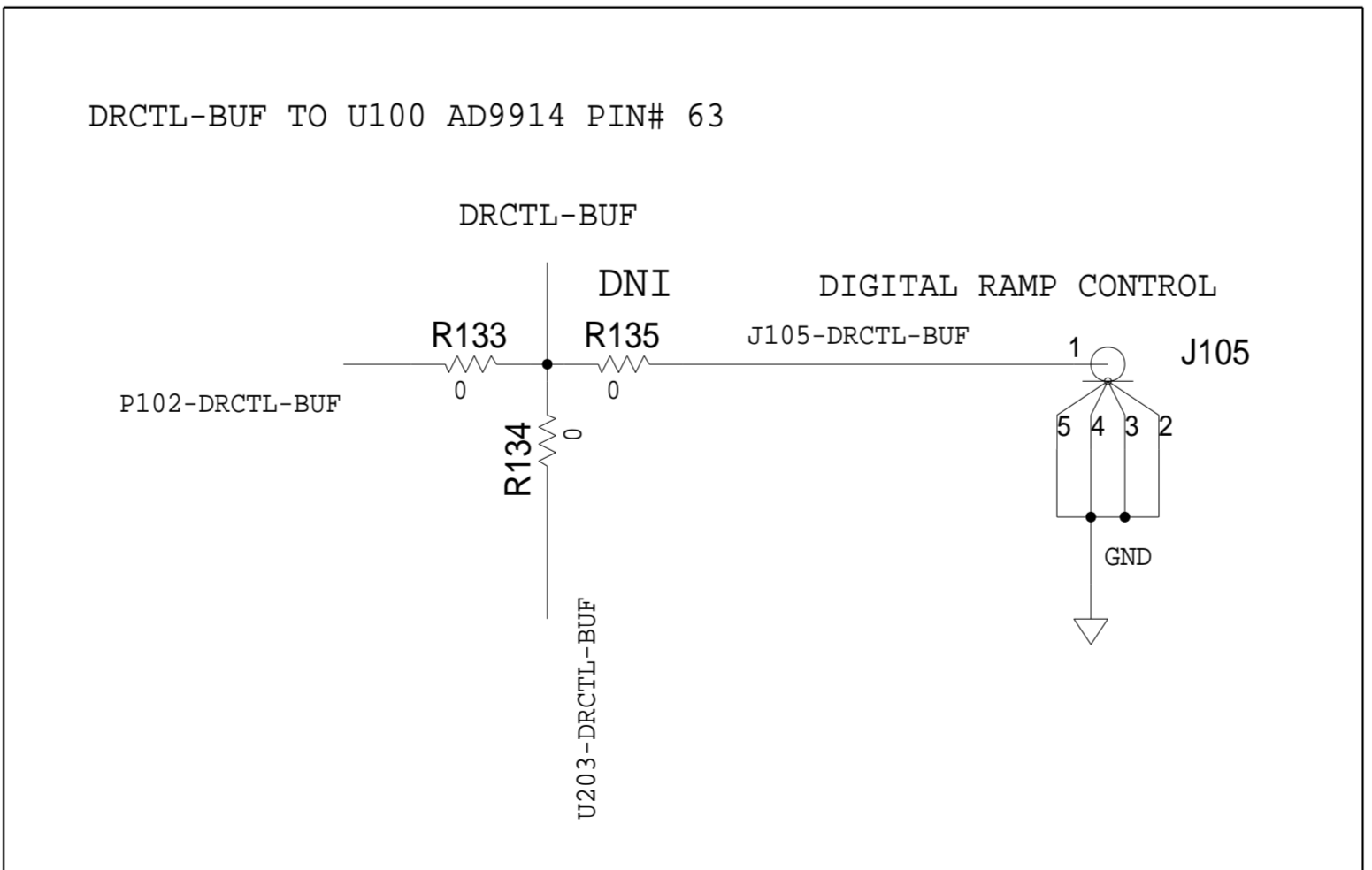
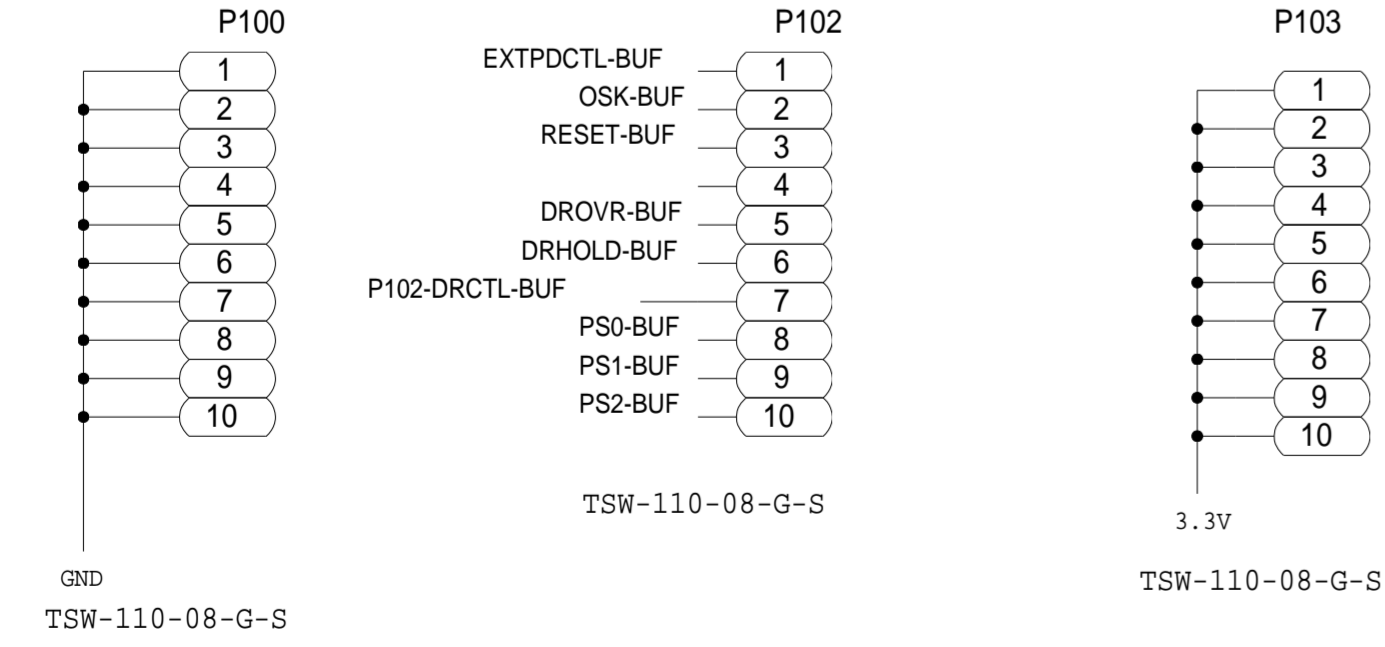
DNI



REMOVE FOR PARALLEL USE

CONFIGURE AS TRIPLE ROW HEADER
 LABEL ALL SIGNALS ON SILKSCREEN AT PIN
 LABEL POWER/GND ON BOTH EDGES OF HEADER

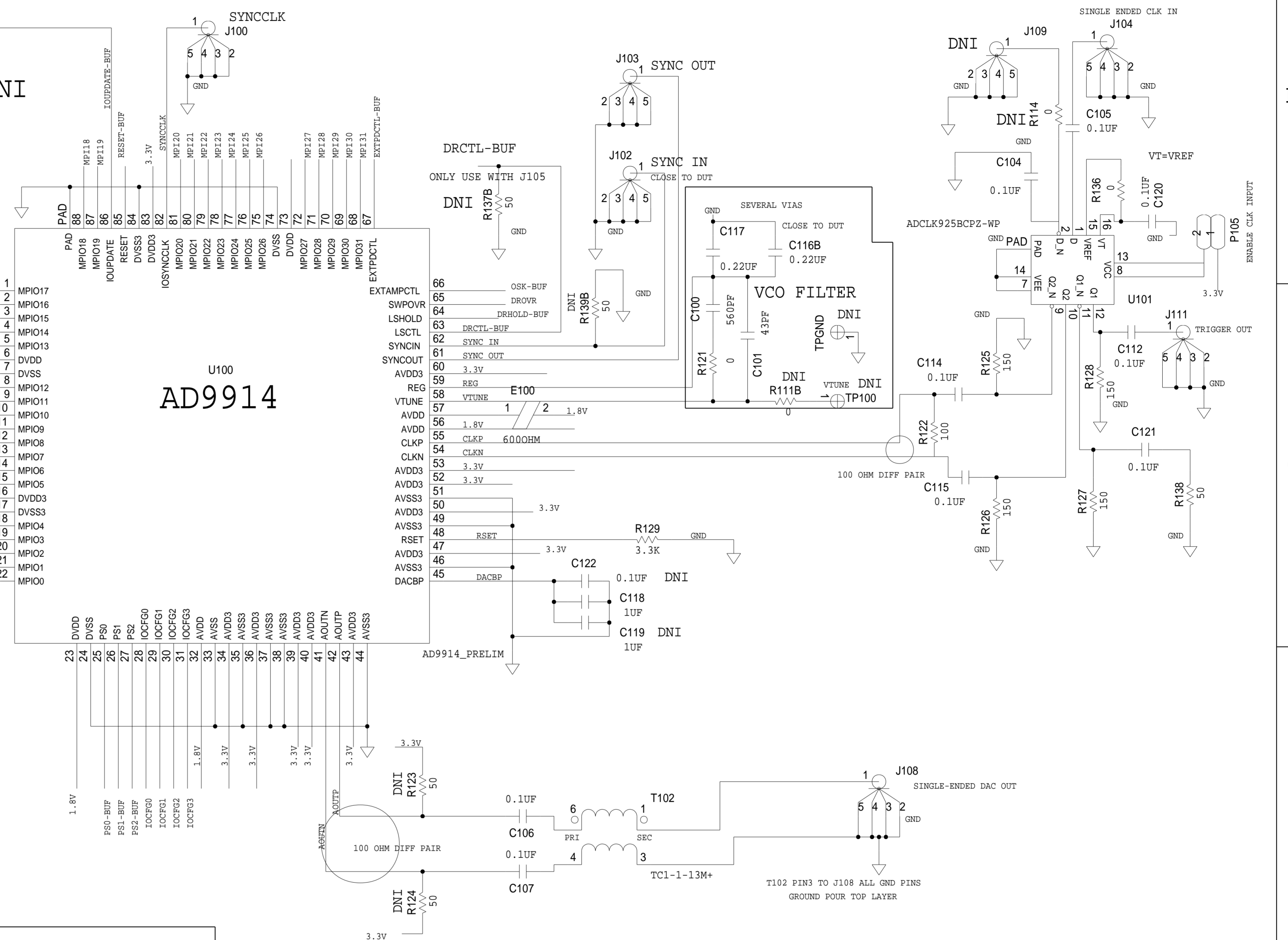
A



DRCTL-BUF TO U100 AD9914 PIN# 63

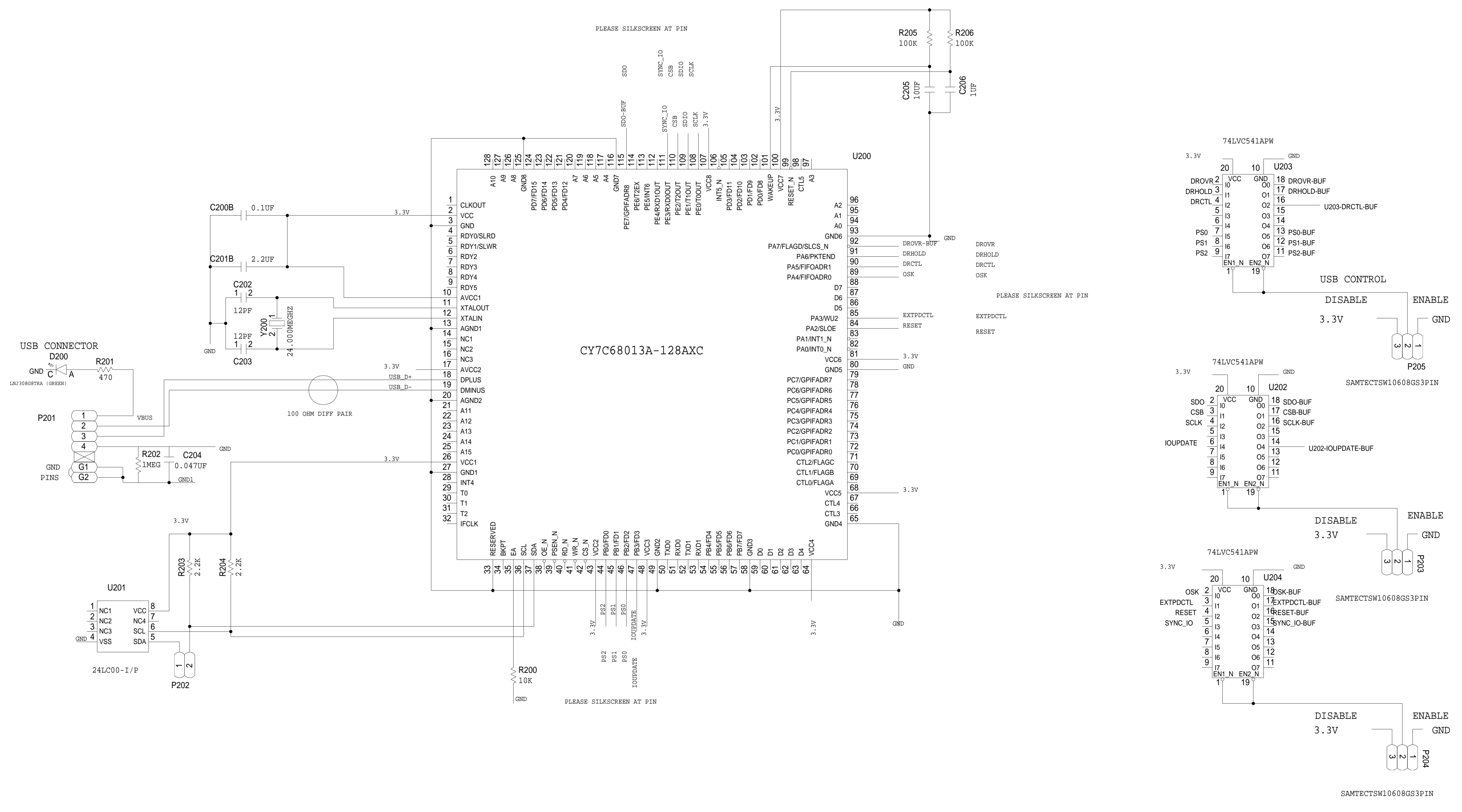
DIGITAL RAMP CONTROL

REVISIONS			
REV	DESCRIPTION	DATE	APPROVED



	SCHEMATIC		
	<DRAWING_TITLE_HEADER> AD9914 ENGINEERING BD.		
	DESIGN VIEW <DESIGN_VIEW>	DRAWING NO. 9914EE04	REV A
	PTD ENGINEER <PTD_ENGINEER>	SIZE D NONE	SCALE SHEET 1 OF 3

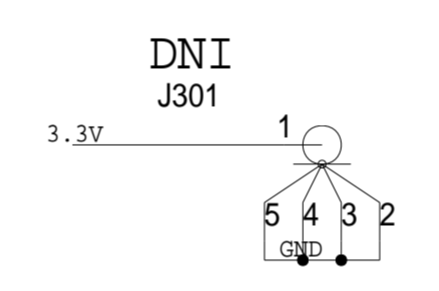
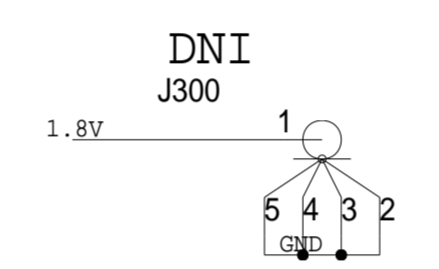
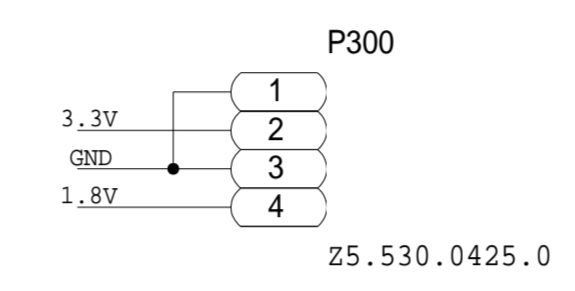
REVISIONS			
REV	DESCRIPTION	DATE	APPROVED



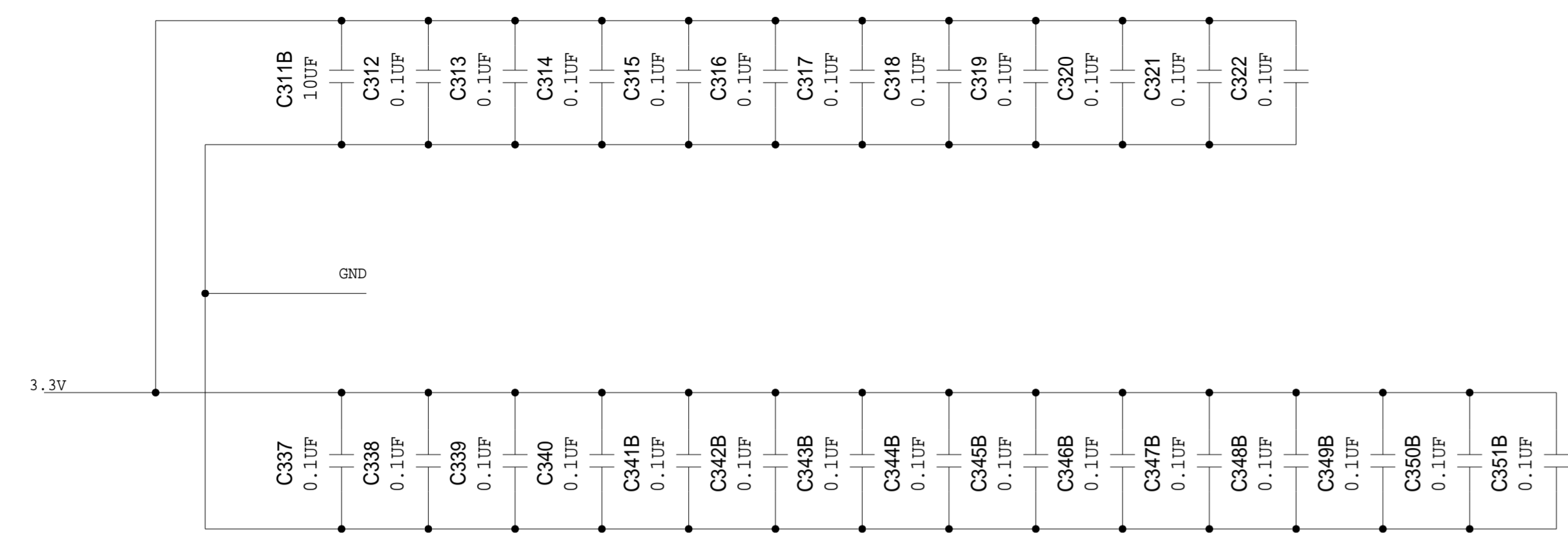
	SCHEMATIC		
	<DRAWING_TITLE_HEADER> AD9914 ENGINEERING BD.		
	DESIGN VIEW <DESIGN_VIEW>	DRAWING NO. 9914EE04	REV A
	PTD ENGINEER <PTD_ENGINEER>	SIZE D	SCALE NONE
		SHEET 2 OF 3	

REVISIONS			
REV	DESCRIPTION	DATE	APPROVED

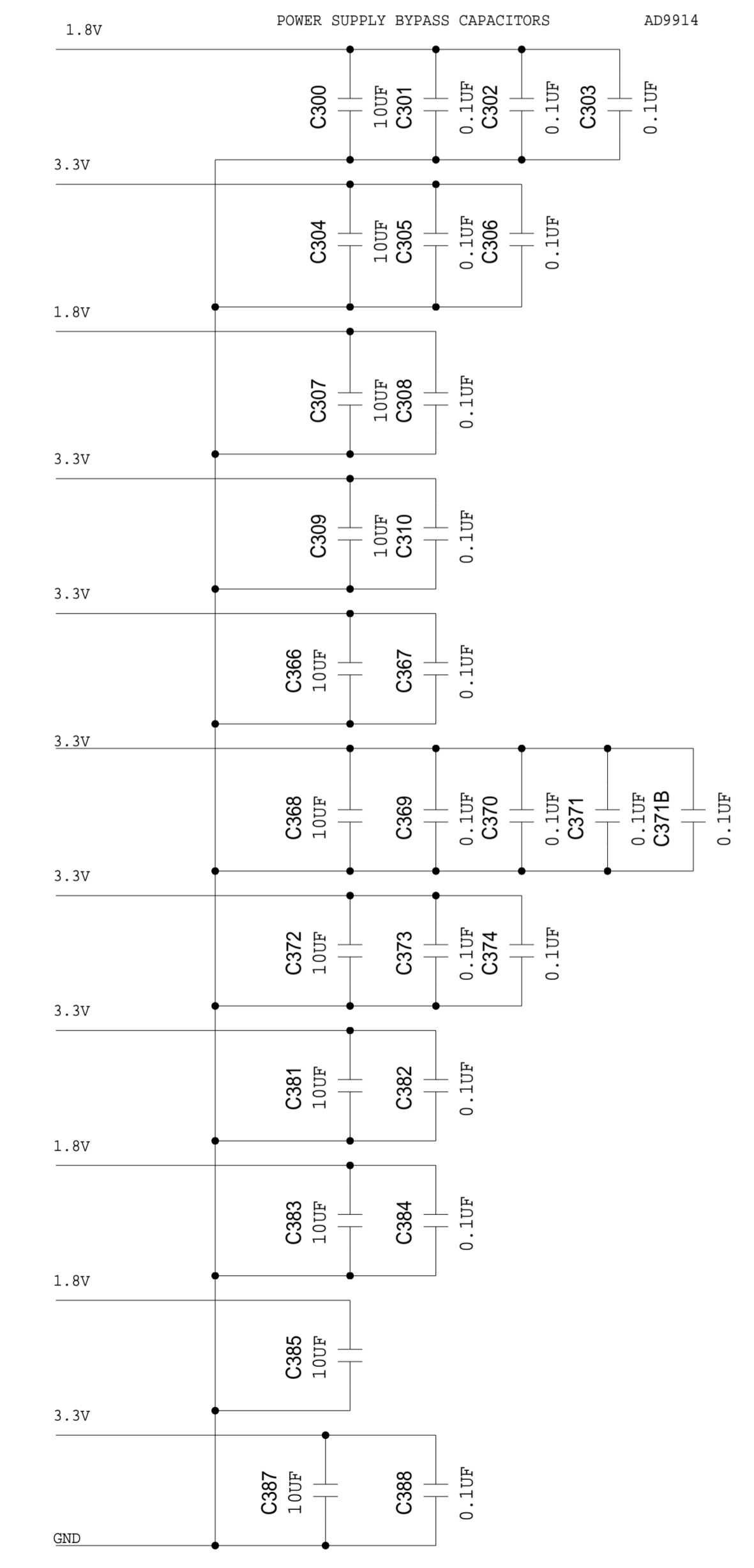
POWER SUPPLY HOOKUP
 LABEL ALL SUPPLY NAMES ON SILKSCREEN AT PIN



POWER SUPPLY BYPASS CAPACITORS CYP7C68013A



POWER SUPPLY BYPASS CAPACITORS AD9914



	SCHMATIC		
	<DRAWING_TITLE_HEADER> AD9914 ENGINEERING BD.		
	DESIGN VIEW <DESIGN_VIEW>	DRAWING NO. 9914EE04	REV A
	PTD ENGINEER <PTD_ENGINEER>	SIZE D	SCALE NONE
		SHEET 3 OF 3	

THIS DRAWING IS THE PROPERTY OF ANALOG DEVICES INC. IT IS NOT TO BE REPRODUCED OR COPIED, IN WHOLE OR IN PART, OR USED IN ANY MANNER WITHOUT THE WRITTEN PERMISSION OF ANALOG DEVICES. THE EQUIPMENT DESIGN HEREON MAY BE PROTECTED BY PATENTS OWNED OR CONTROLLED BY ANALOG DEVICES.