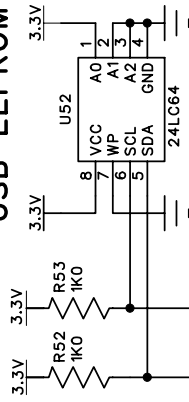
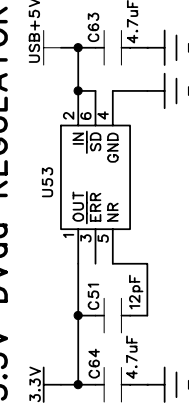


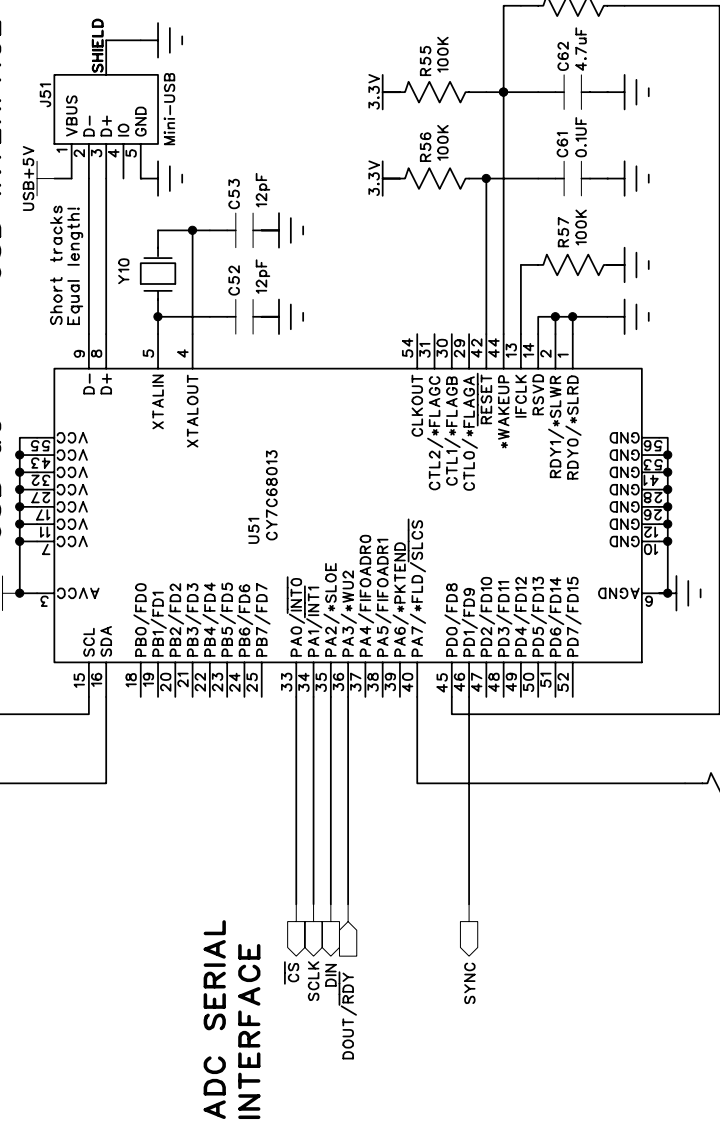
### USB EEPROM



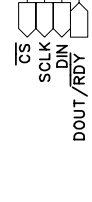
### 3.3V DVdd REGULATOR



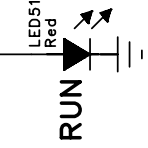
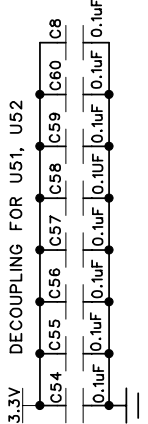
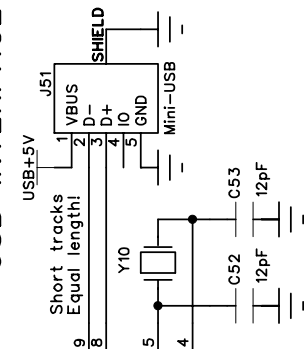
### USB uC



### ADC SERIAL INTERFACE

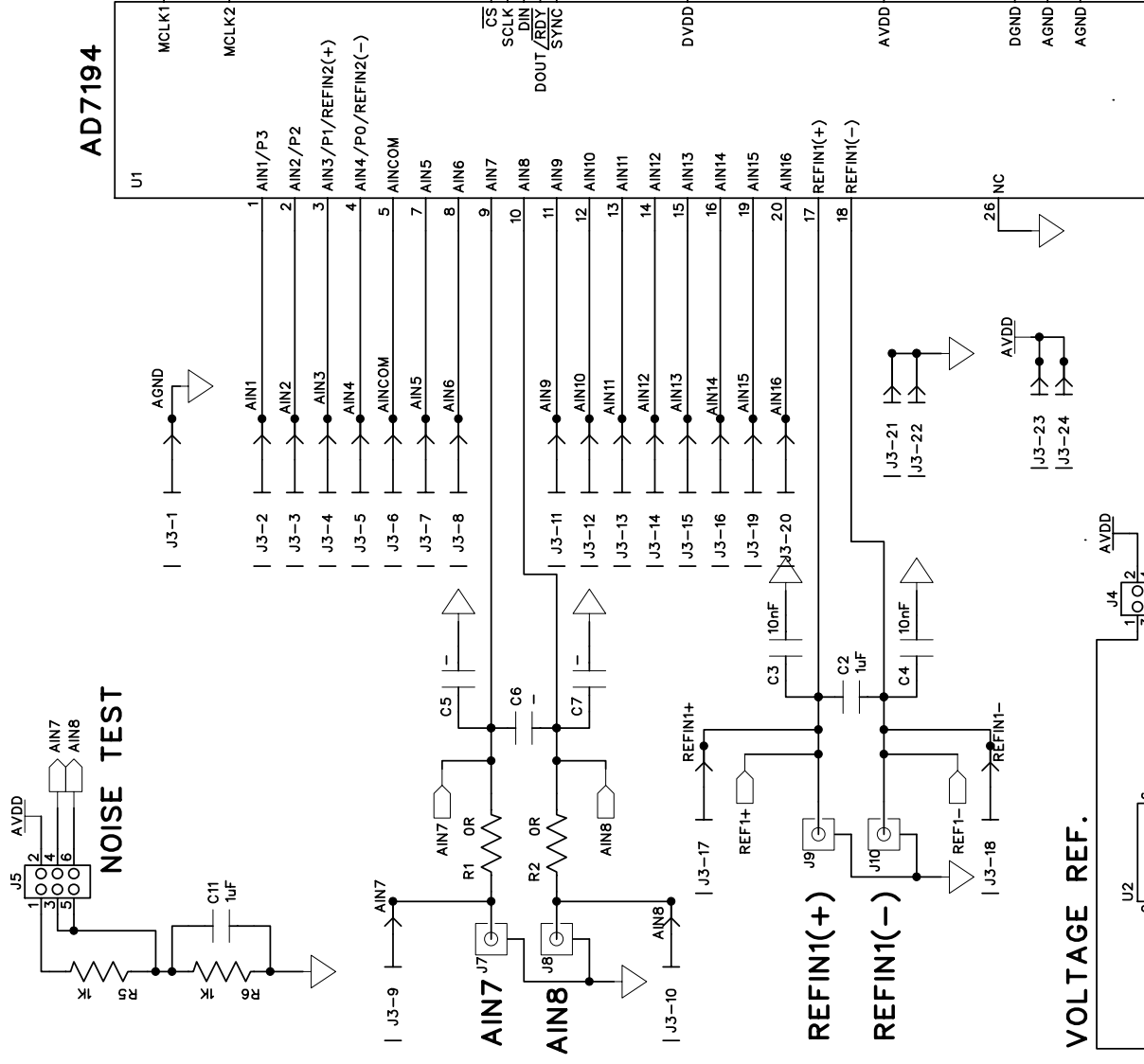
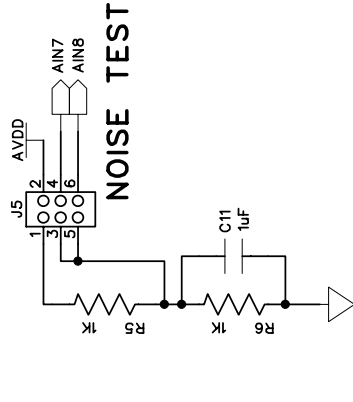


### USB INTERFACE



Test points for prototyping

# Samtec TSM-118-01-T-SV



## AD7194

Connector:  
ADC internal clock output  
or an external clock input

### MCLK

### SERIAL INTERFACE

Default: Jumpers connecting ADC to uC  
On board ADC can also be interfaced to external uC  
or an external ADC can be interfaced to the board

These resistors isolating  
digital and analog section  
are not necessary

CS pull-up resistor  
Prevents CS input  
from floating  
during system power-up

### AVDD SELECT:

- 1-2: 3.3V
- 3-4: 5.0V
- 5-6: EXT



**ANALOG  
DEVICES**

**EVAL-AD7190EBZ**  
Schematic - Analog Part  
Page 1 of 2, Rev.C1, 16 October 2008  
Instrumentation and Automotive Converters