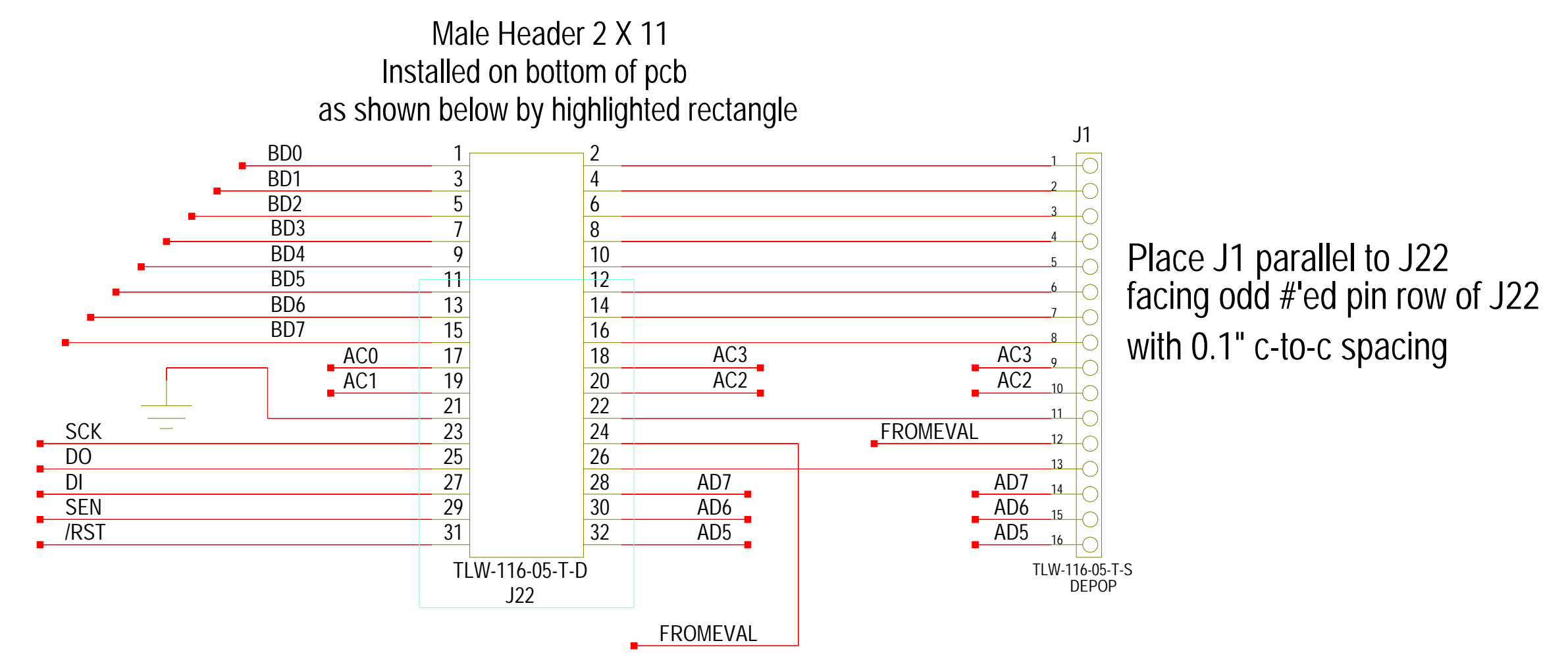
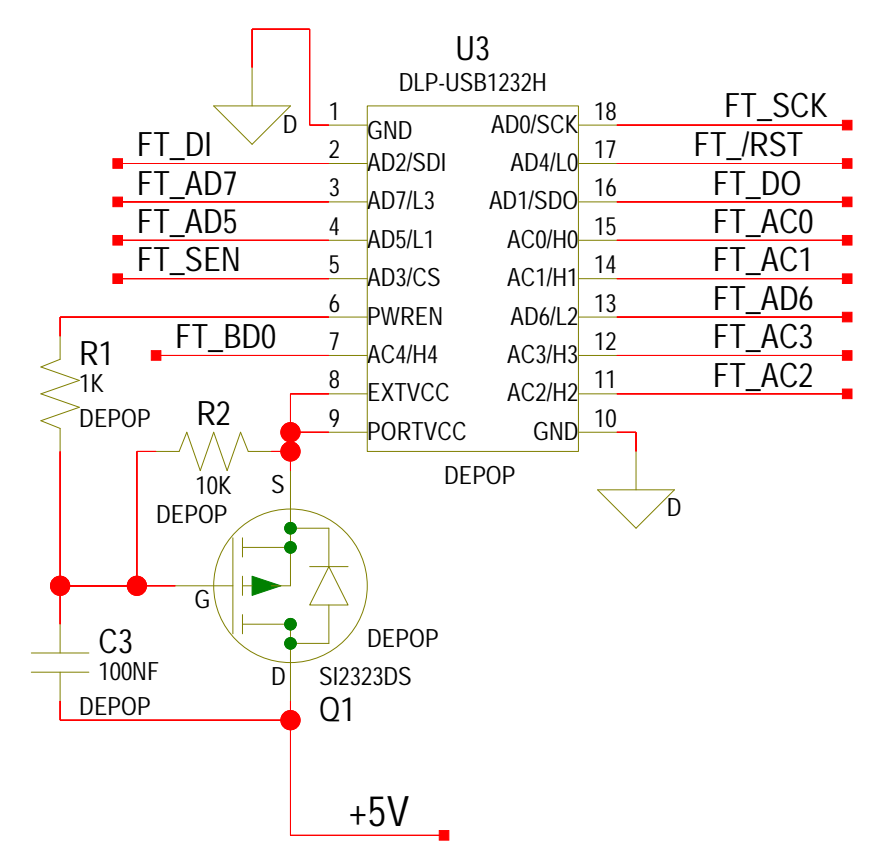
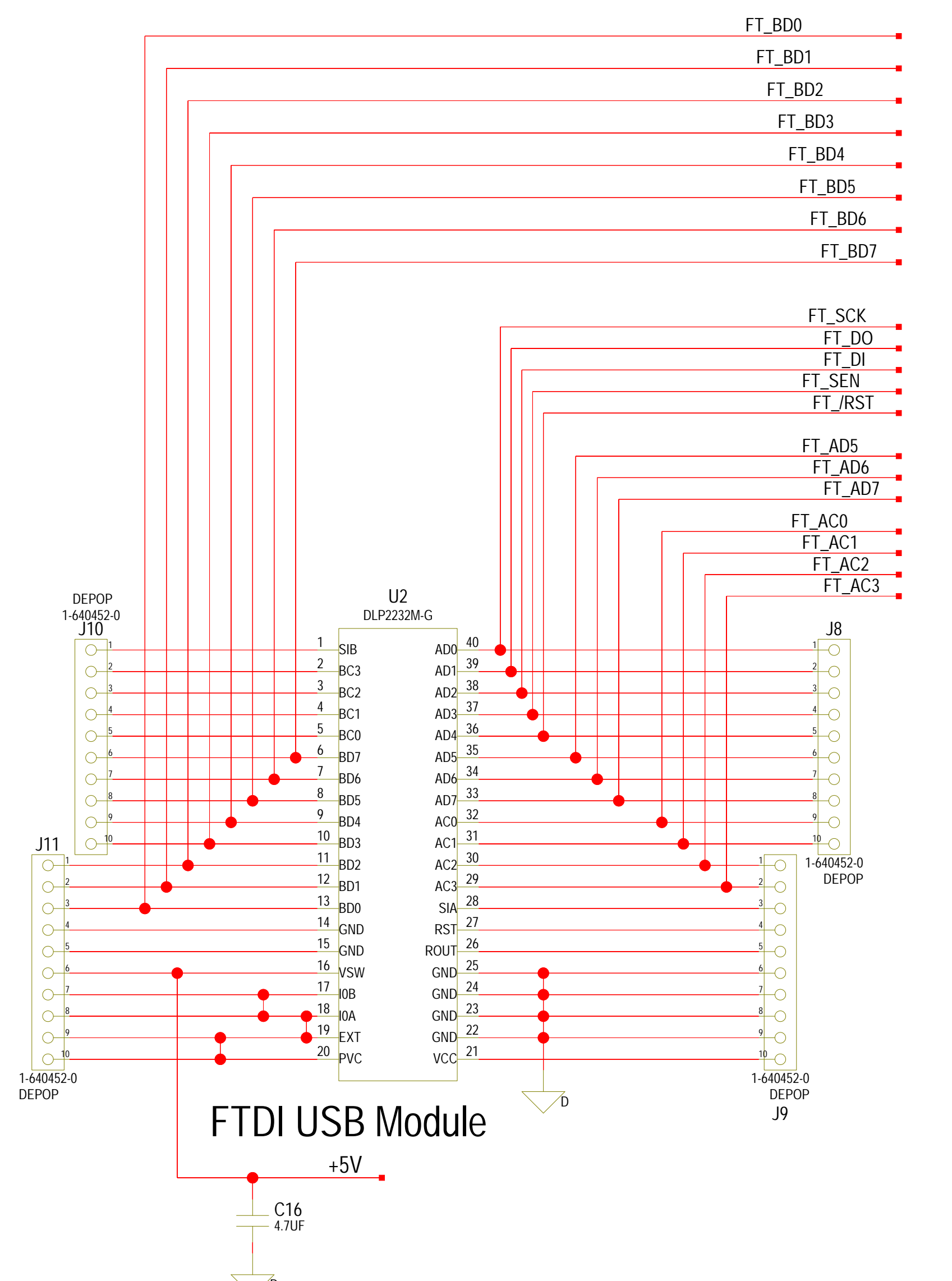
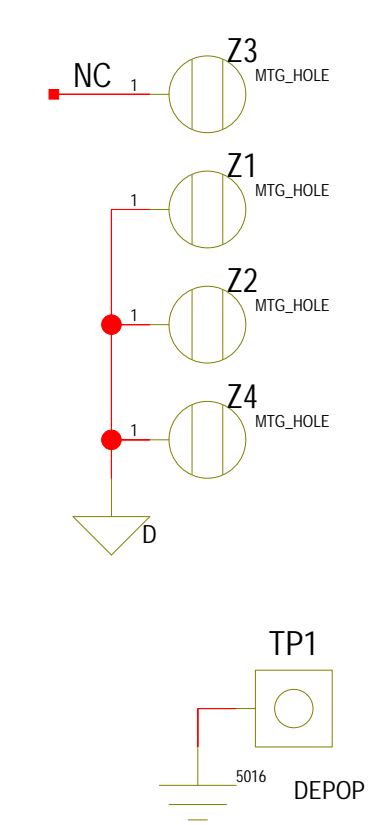
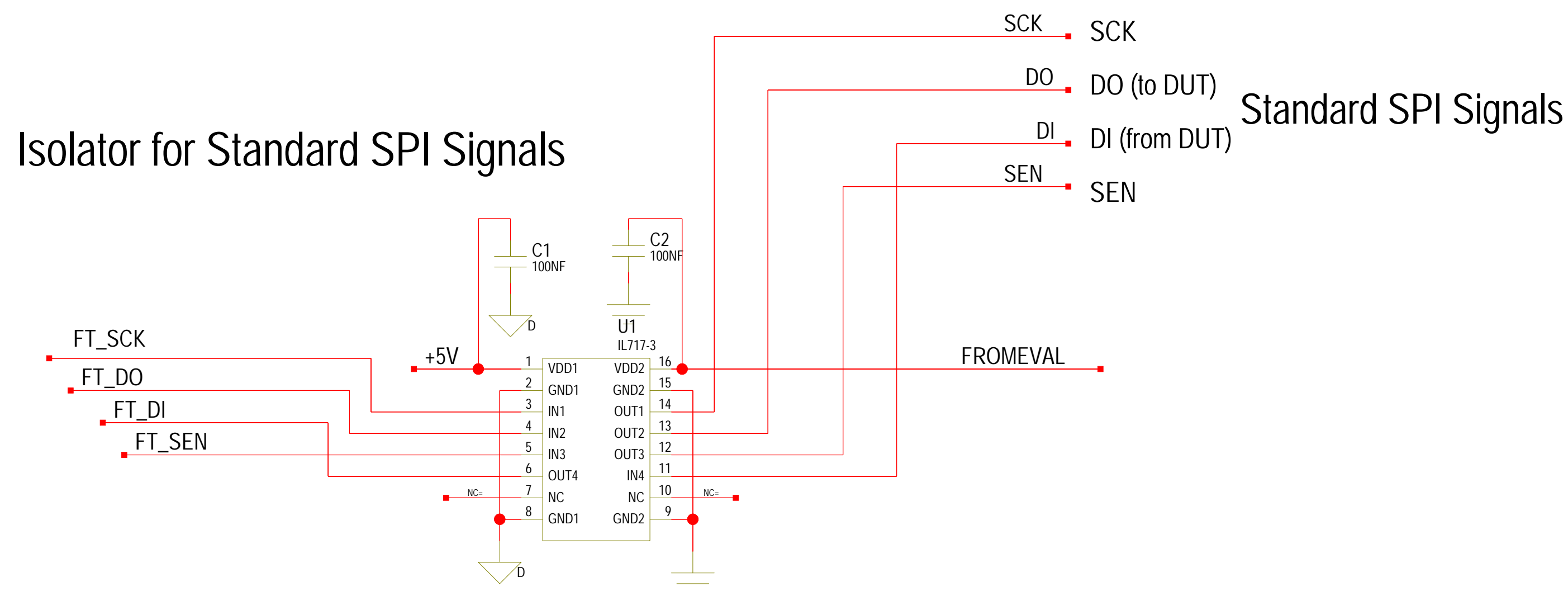


REVISIONS					
REV	ECN#	ZONE	DESCRIPTION	NAME	DATE
1	QC140102	ENGINEERING RELEASE	D. ACEVAL	01/20/2014
A	CP150501	PRODUCTION RELEASE	D. ACEVAL	4/20/2015



Place J1 parallel to J22 facing odd #'ed pin row of J22 with 0.1" c-to-c spacing



NOTICE OF PROPRIETARY PROPERTY: THIS DOCUMENT AND THE INFORMATION CONTAINED IN IT ARE THE PROPRIETARY PROPERTY OF HITTITE MICROWAVE CORPORATION. IT MAY NOT BE COPIED OR USED IN ANY MANNER NOR MAY ANY OF THE INFORMATION IN OR UPON IT BE USED FOR ANY PURPOSE WITHOUT THE EXPRESSED WRITTEN CONSENT OF AN AUTHORIZED AGENT OF HITTITE MICROWAVE CORPORATION.

HITTITE MICROWAVE CORPORATION
20 Alpha Rd Chelmsford, MA 01824

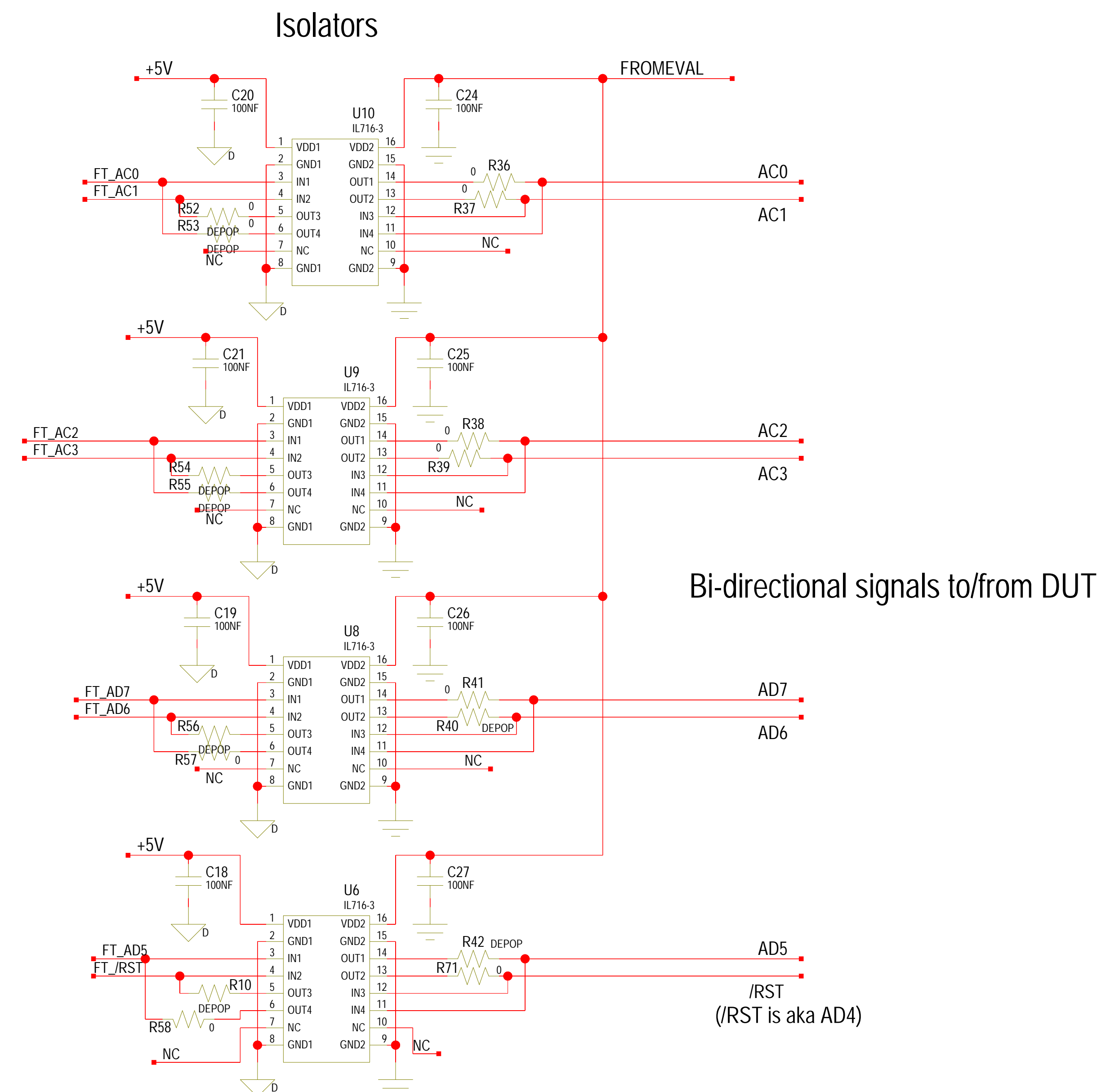
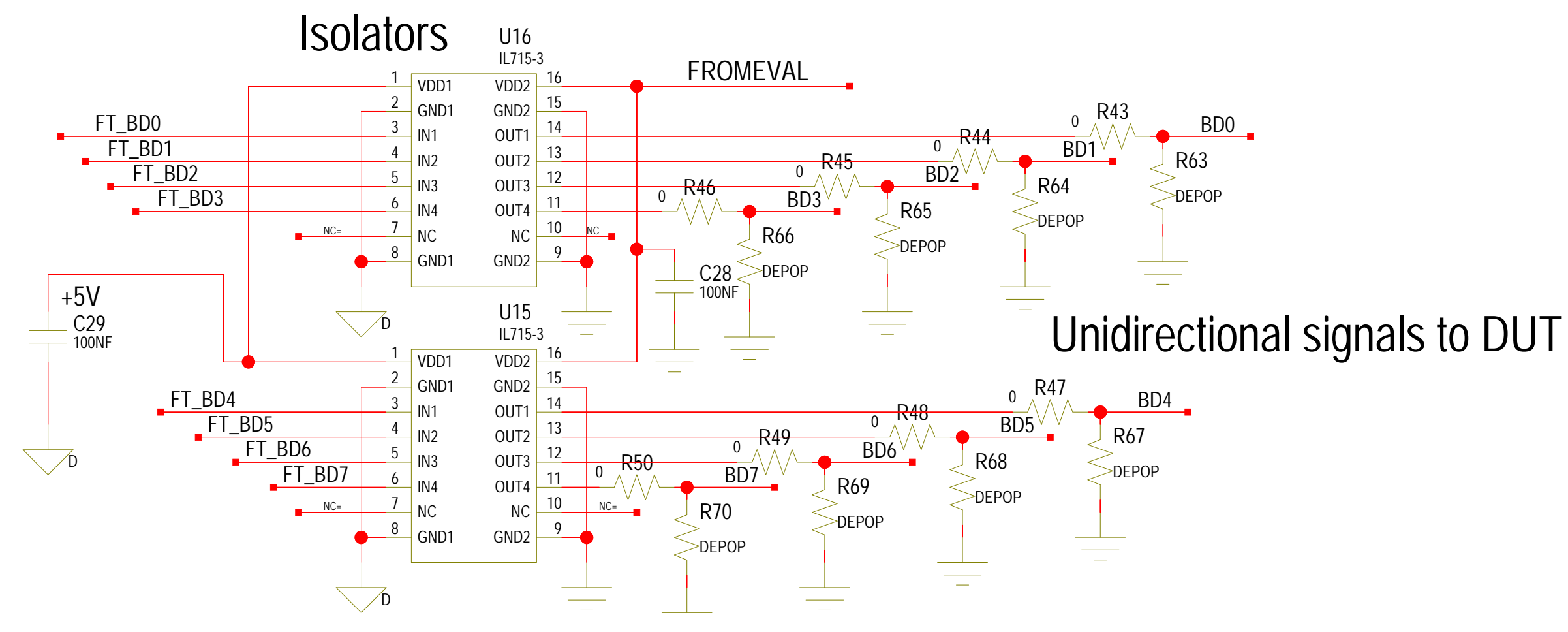
TITLE
SCH, USB I/F WITH PAR I/O BOARD

PROJECT
DRAWING #: 130-01105-00

SHEET 1 OF 2
CODE ID NO. 1CN88
SIZE D
REV A


DRAWN BY D.Y. **DATE** 25/10/2011

1 20/04/2015:14:58



Isolators & Level Shifters for GPIO

(8 uni-directional to DUT; 8 bi-directional)

 HITTITE MICROWAVE CORPORATION 20 Alpha Rd Chelmsford, MA 01824	
TITLE SCH, USB I/F WITH PAR. I/O BOARD	
PROJECT DRAWING #: 130-01105-00	SHEET CODE ID NO. 1CN88
DRAWN BY DY	DATE 12/01/09
SHEET 2 OF 2 SIZE D REV A	
20/04/2015:14:59	