

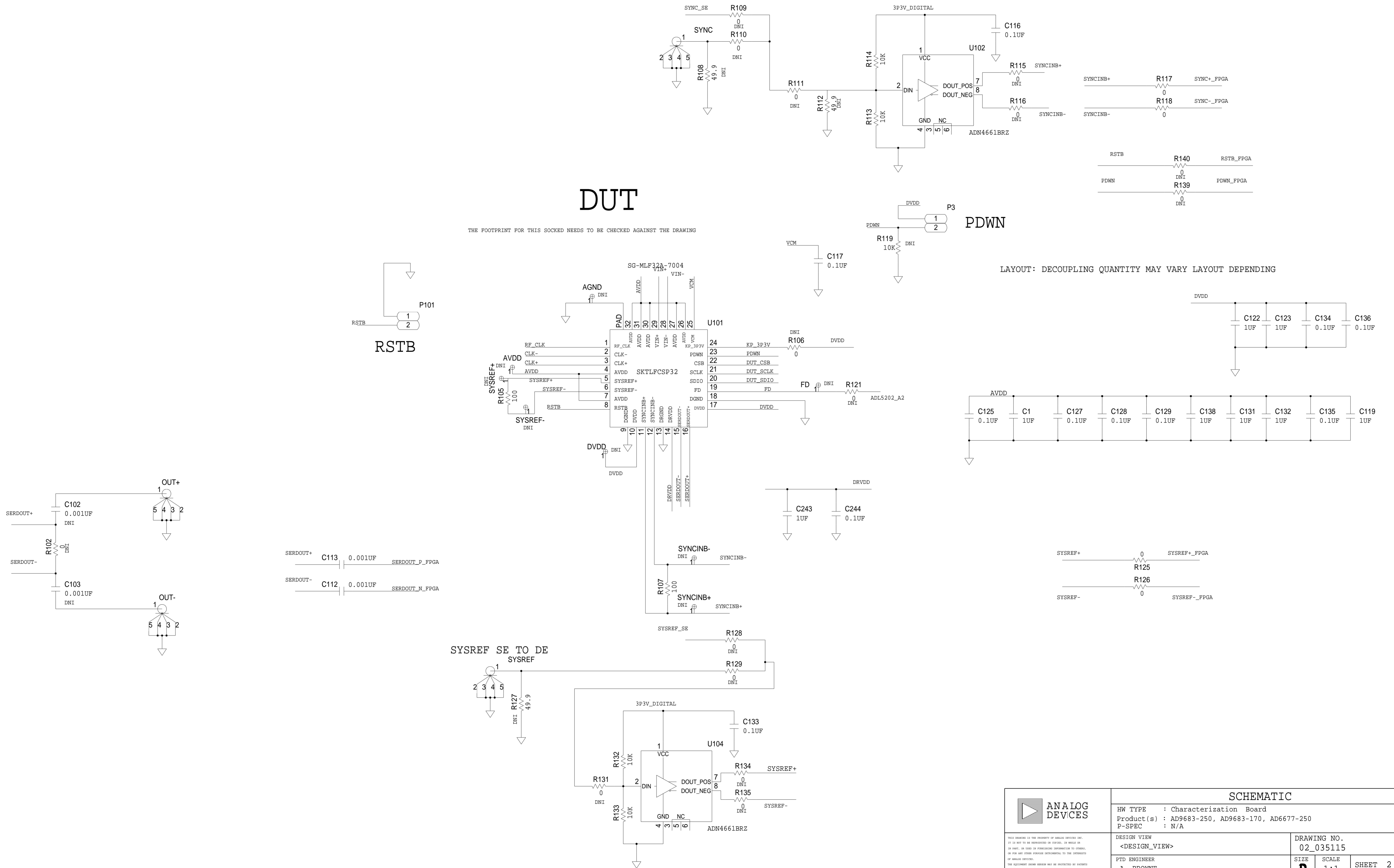


# AD9683/AD6677 EVAL/APPS BOARD

REVISIONS			
REV	DESCRIPTION	DATE	APPROVED

## DUT

THE FOOTPRINT FOR THIS SOCKED NEEDS TO BE CHECKED AGAINST THE DRAWING



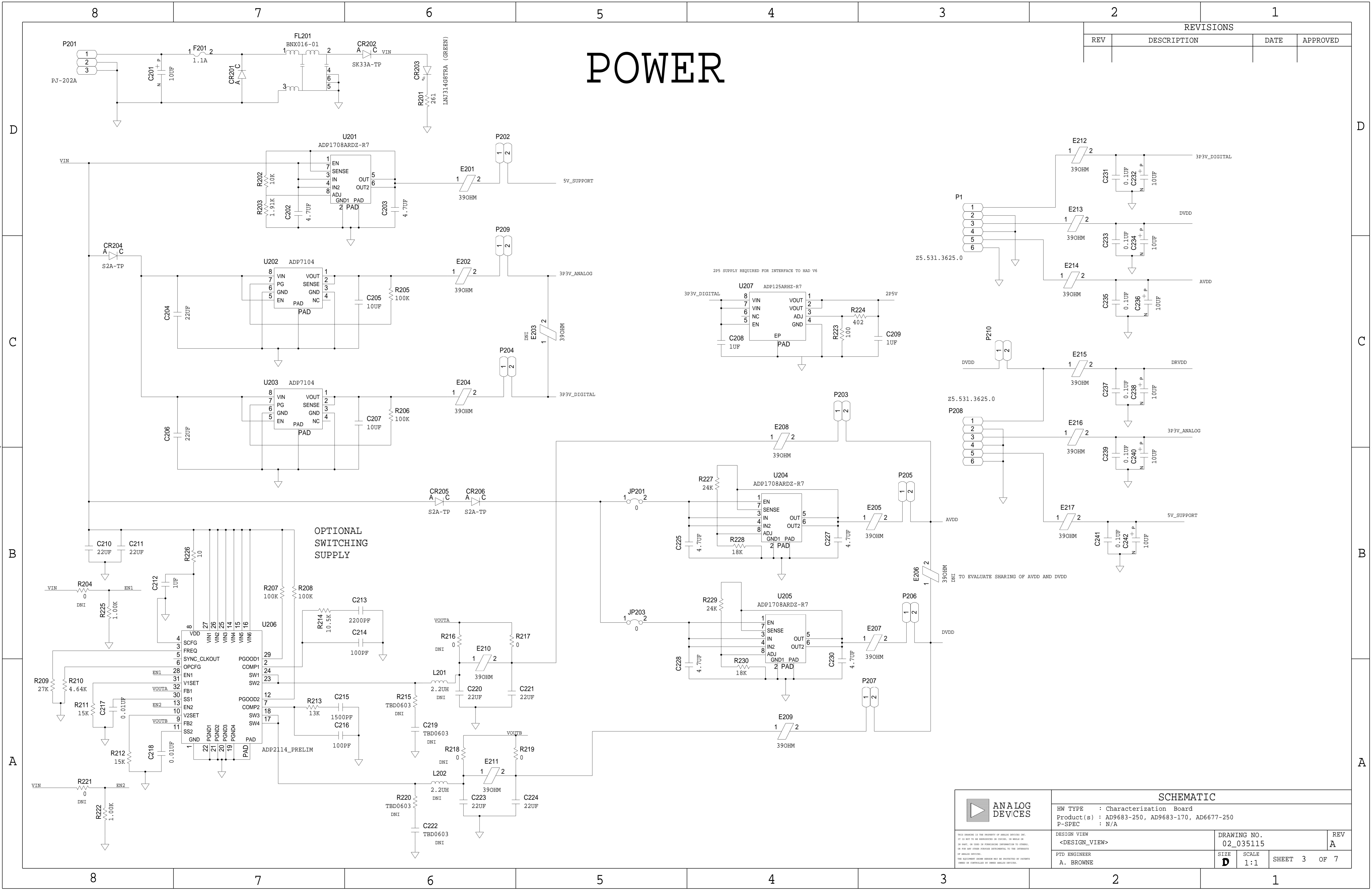
LAYOUT: DECOUPLING QUANTITY MAY VARY LAYOUT DEPENDING

SCHEMATIC			
		HW TYPE : Characterization Board Product(s) : AD9683-250, AD9683-170, AD6677-250 P-SPEC : N/A	
DESIGN VIEW <DESIGN_VIEW>	DRAWING NO. 02_035115	REV A	
PTD ENGINEER A. BROWNE	SIZE D	SCALE 1:1	SHEET 2 OF 7

THIS DRAWING IS THE PROPERTY OF ANALOG DEVICES INC. IT IS NOT TO BE REPRODUCED OR COPIED, IN WHOLE OR IN PART, OR USED IN ANY MANNER WITHOUT THE WRITTEN PERMISSION OF ANALOG DEVICES. THE EQUIPMENT DESIGN HEREON MAY BE PROTECTED BY PATENTS OWNED OR CONTROLLED BY ANALOG DEVICES.

# POWER

REVISIONS			
REV	DESCRIPTION	DATE	APPROVED

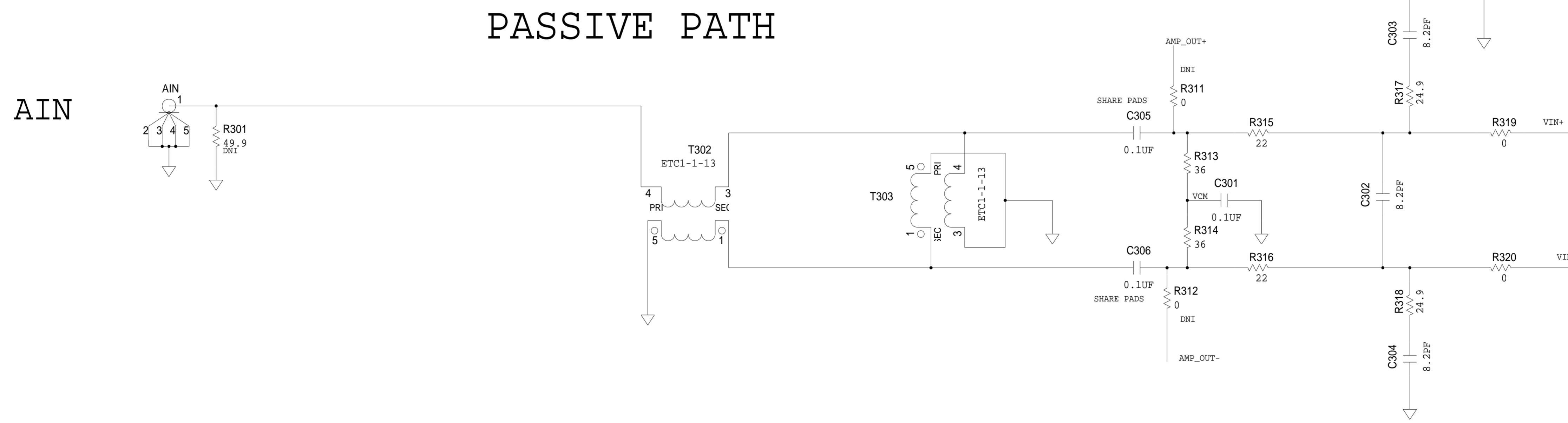


SCHEMATIC			
		HW TYPE : Characterization Board Product(s) : AD9683-250, AD9683-170, AD6677-250 P-SPEC : N/A	
DESIGN VIEW <DESIGN_VIEW>	DRAWING NO. 02_035115	REV A	
PTD ENGINEER A. BROWNE	SIZE D	SCALE 1:1	SHEET 3 OF 7

THIS DRAWING IS THE PROPERTY OF ANALOG DEVICES INC. IT IS NOT TO BE REPRODUCED OR COPIED, IN WHOLE OR IN PART, OR USED IN PARTICULAR IMPLEMENTATION TO OTHERS, OR FOR ANY OTHER PURPOSES DETERMINED BY THE TERMS OF ANY APPLICABLE AGREEMENT. THE EQUIPMENT DESIGN HEREON MAY BE PROTECTED BY PATENTS OWNED OR CONTROLLED BY ANALOG DEVICES.

REVISIONS			
REV	DESCRIPTION	DATE	APPROVED

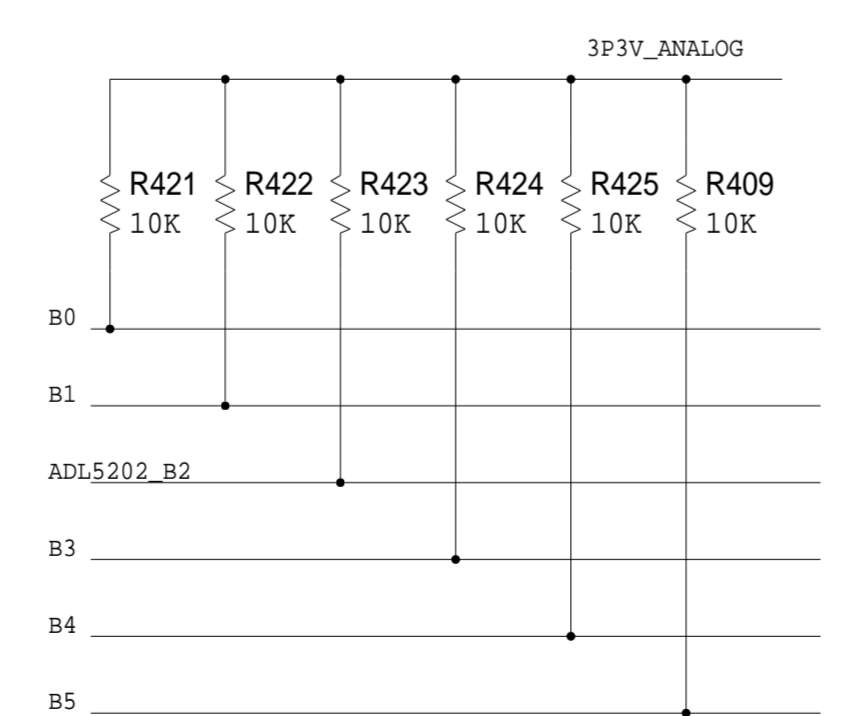
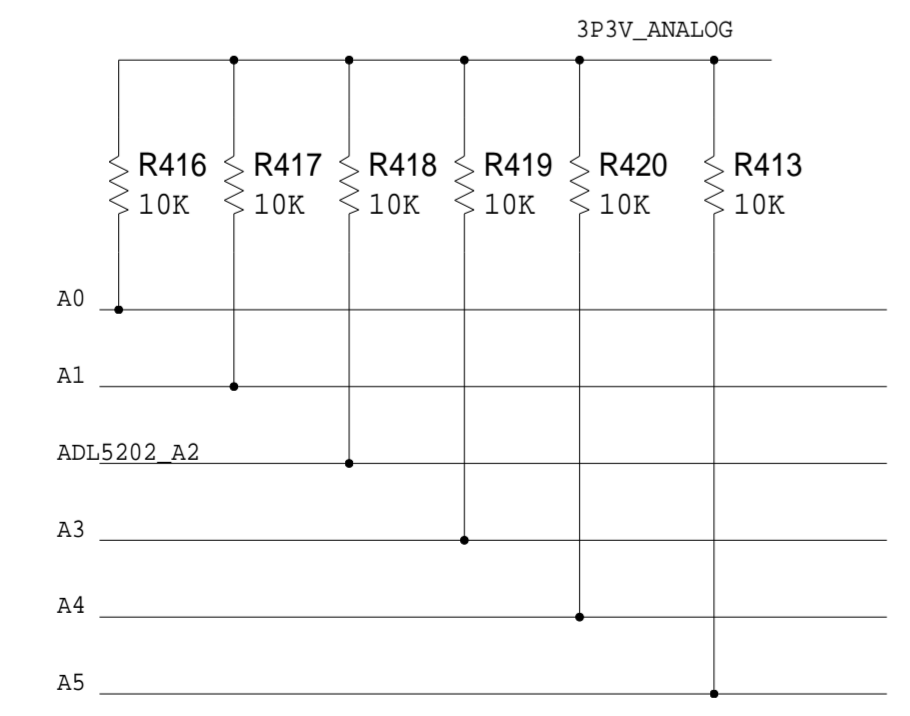
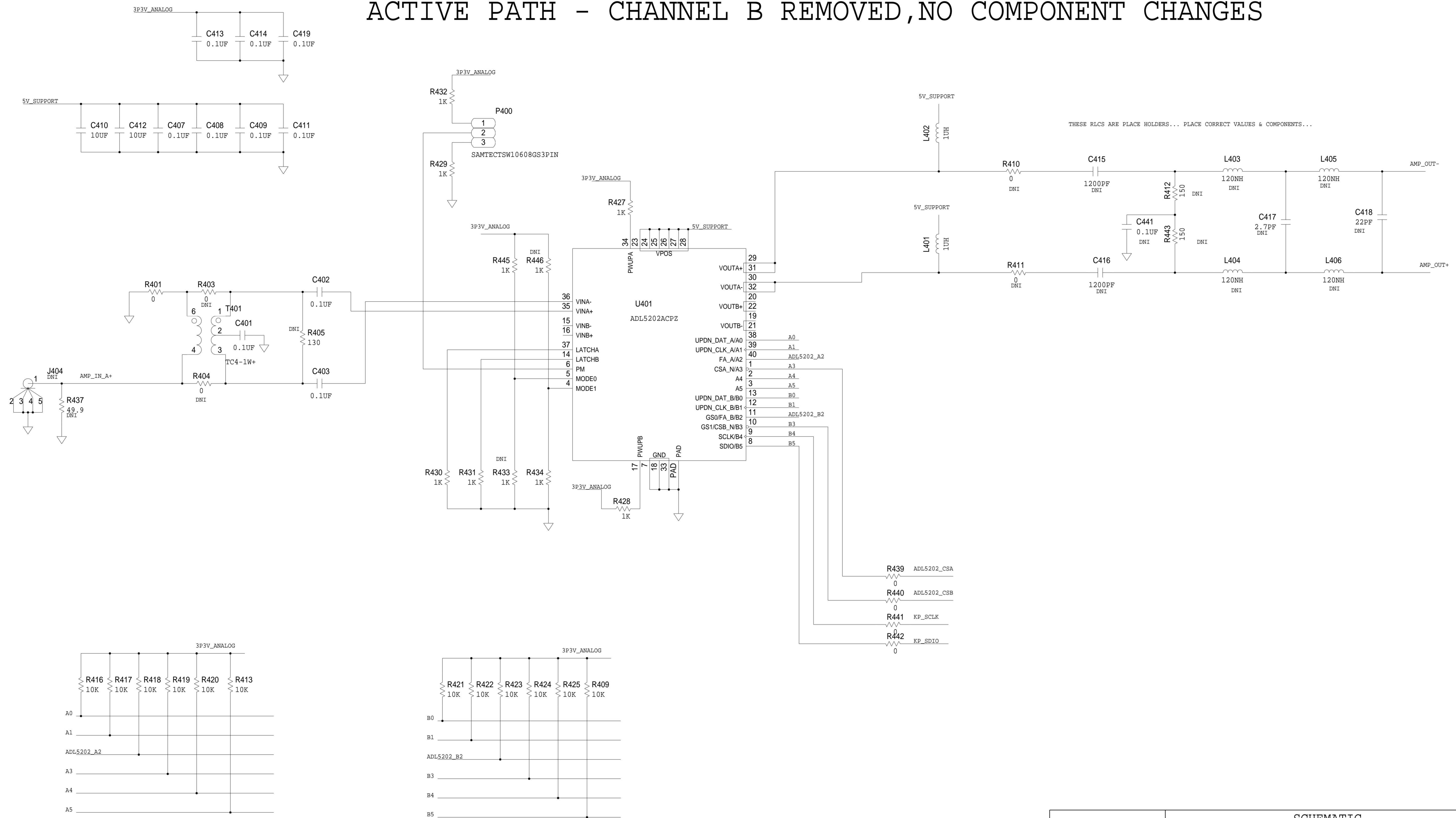
# ANALOG INPUT



	<b>SCHEMATIC</b>		
	HW TYPE : Characterization Board Product(s) : AD9683-250, AD9683-170, AD6677-250 P-SPEC : N/A		
	DESIGN VIEW <DESIGN_VIEW>	DRAWING NO. 02_035115	REV A
	PTD ENGINEER A. BROWNE	SIZE D	SCALE 1:1
		SHEET 4 OF 7	

REVISIONS			
REV	DESCRIPTION	DATE	APPROVED

# ACTIVE PATH - CHANNEL B REMOVED, NO COMPONENT CHANGES

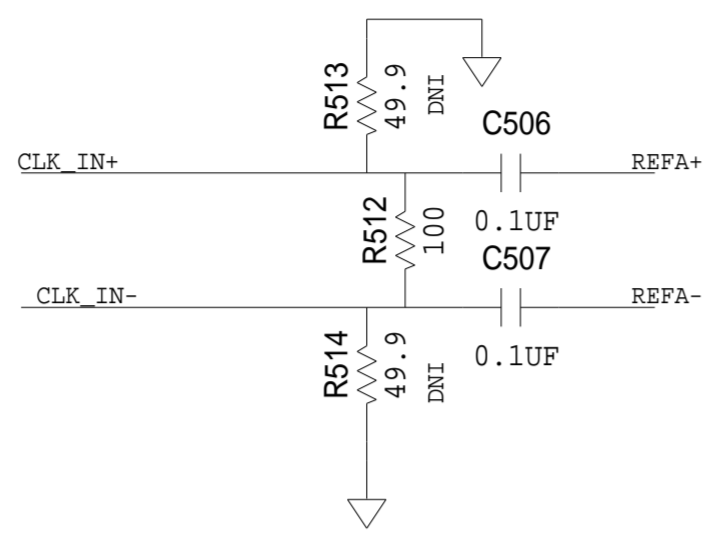


	<b>SCHEMATIC</b>		
	HW TYPE : Characterization Board Product(s) : AD9683-250, AD9683-170, AD6677-250 P-SPEC : N/A		
	DESIGN VIEW <DESIGN_VIEW>	DRAWING NO. 02_035115	REV A
	PTD ENGINEER A. BROWNE	SIZE D	SCALE 1:1
		SHEET 5 OF 7	

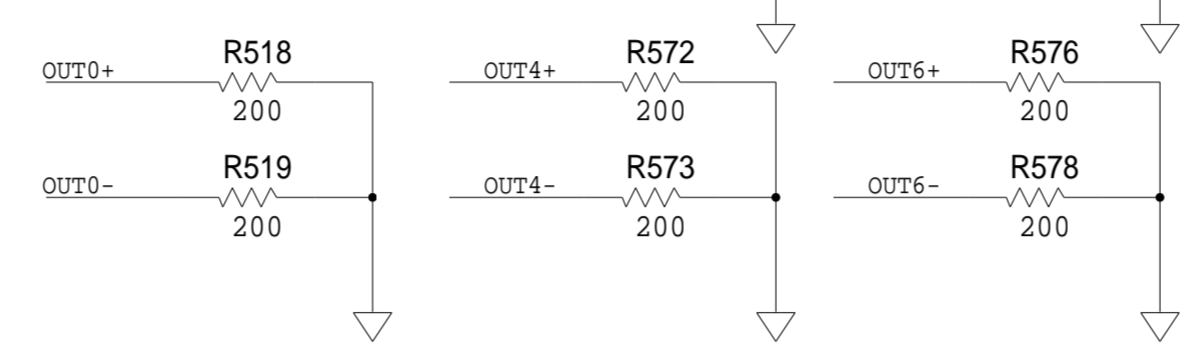
REVISIONS			
REV	DESCRIPTION	DATE	APPROVED

# ACTIVE CLOCK PATH

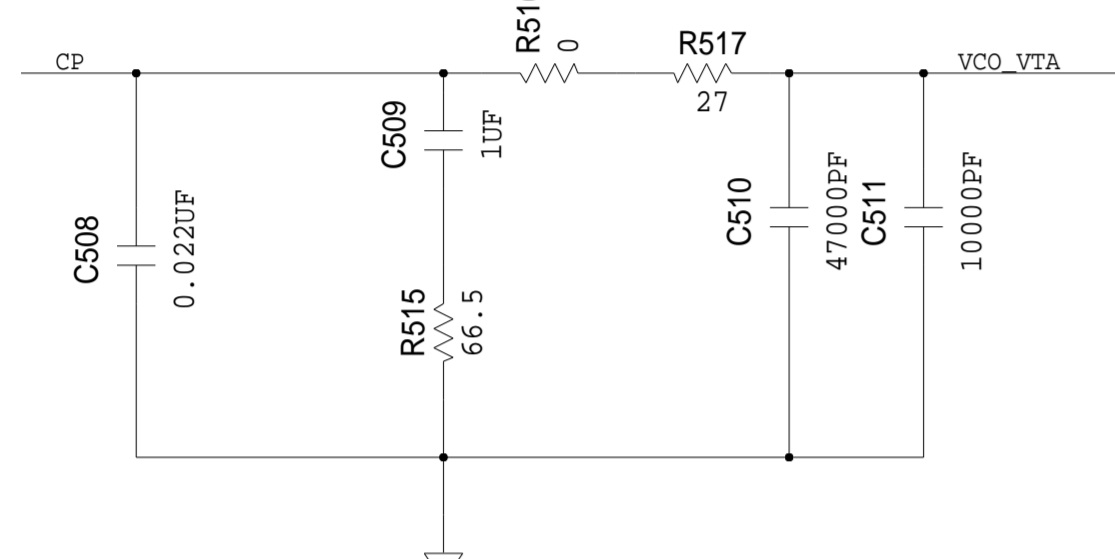
## REFERENCE INPUT



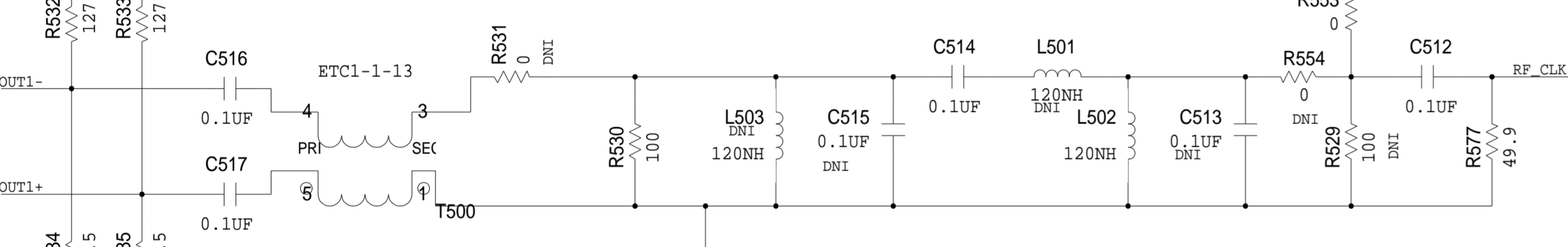
## OUTPUT TERMS



## CP / VCO CONNECTION

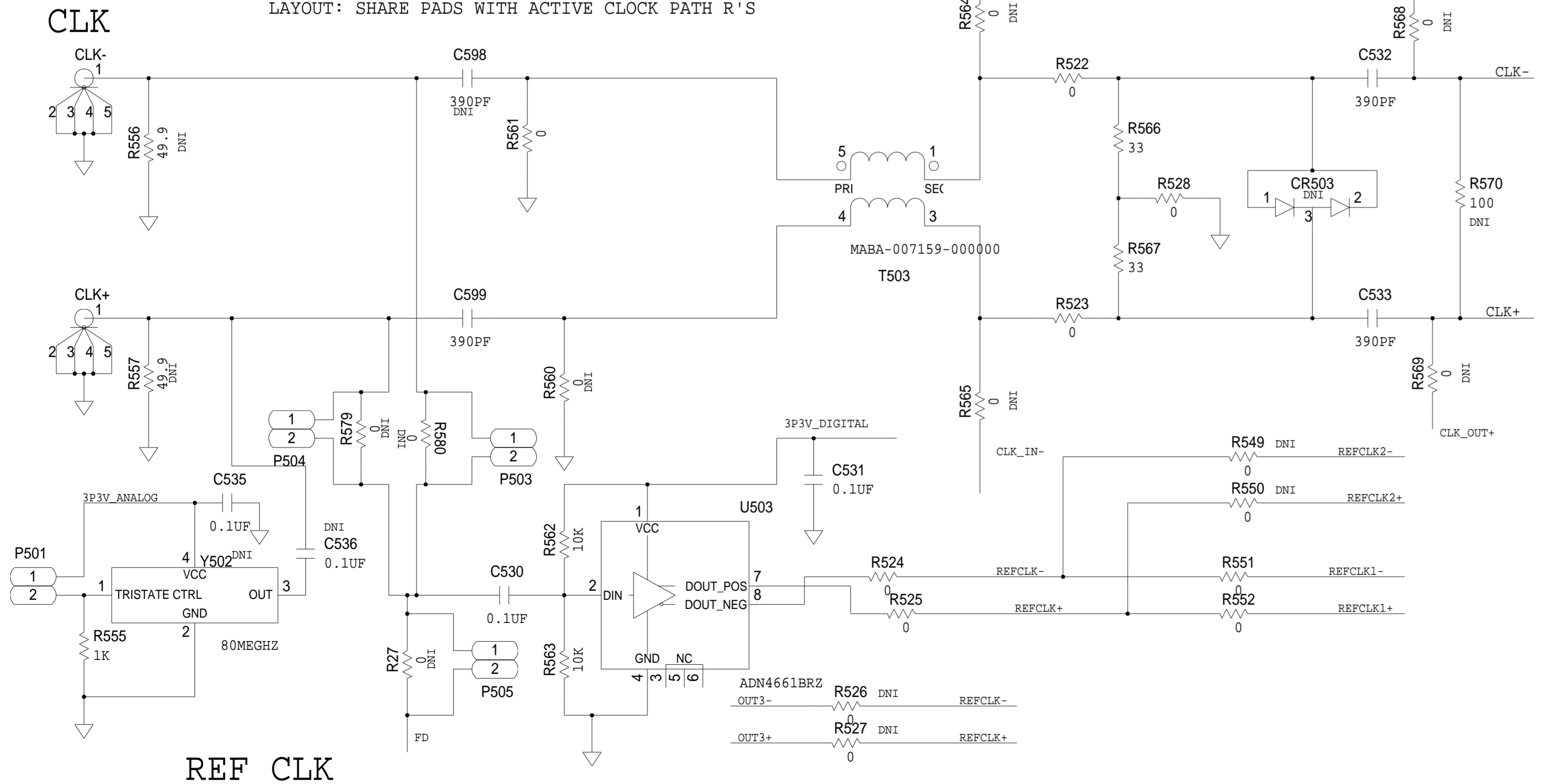


## RF CLK OUTPUT

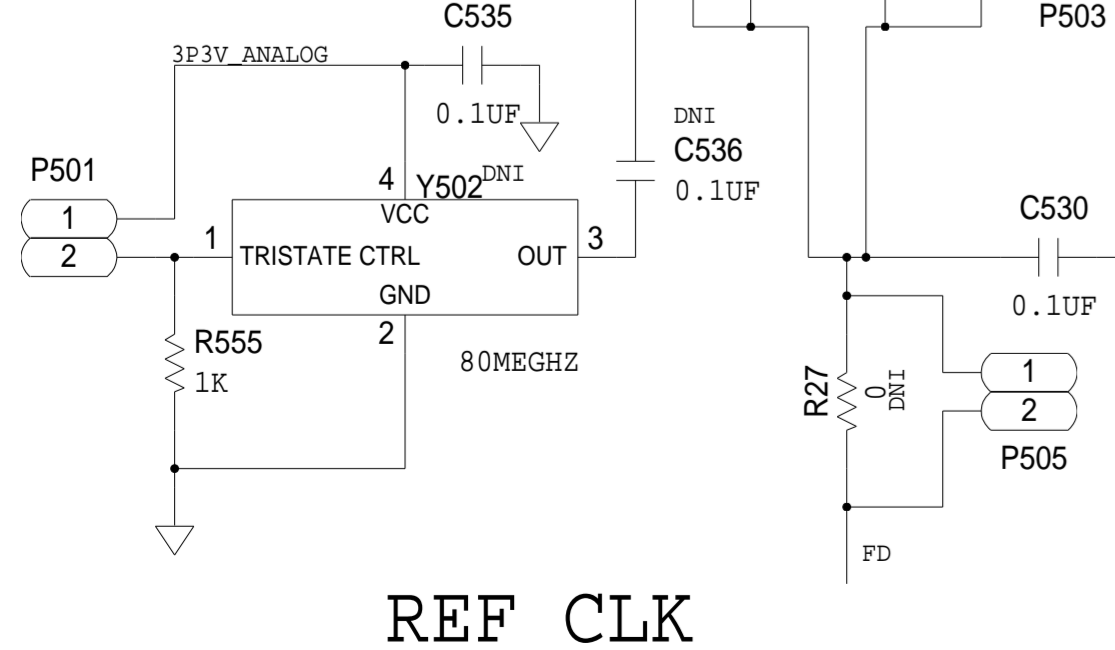


## PASSIVE CLOCK

LAYOUT: SMA'S SHOULD BE 575 MILS CENTER TO CENTER  
LAYOUT: SHARE PADS WITH ACTIVE CLOCK PATH R'S

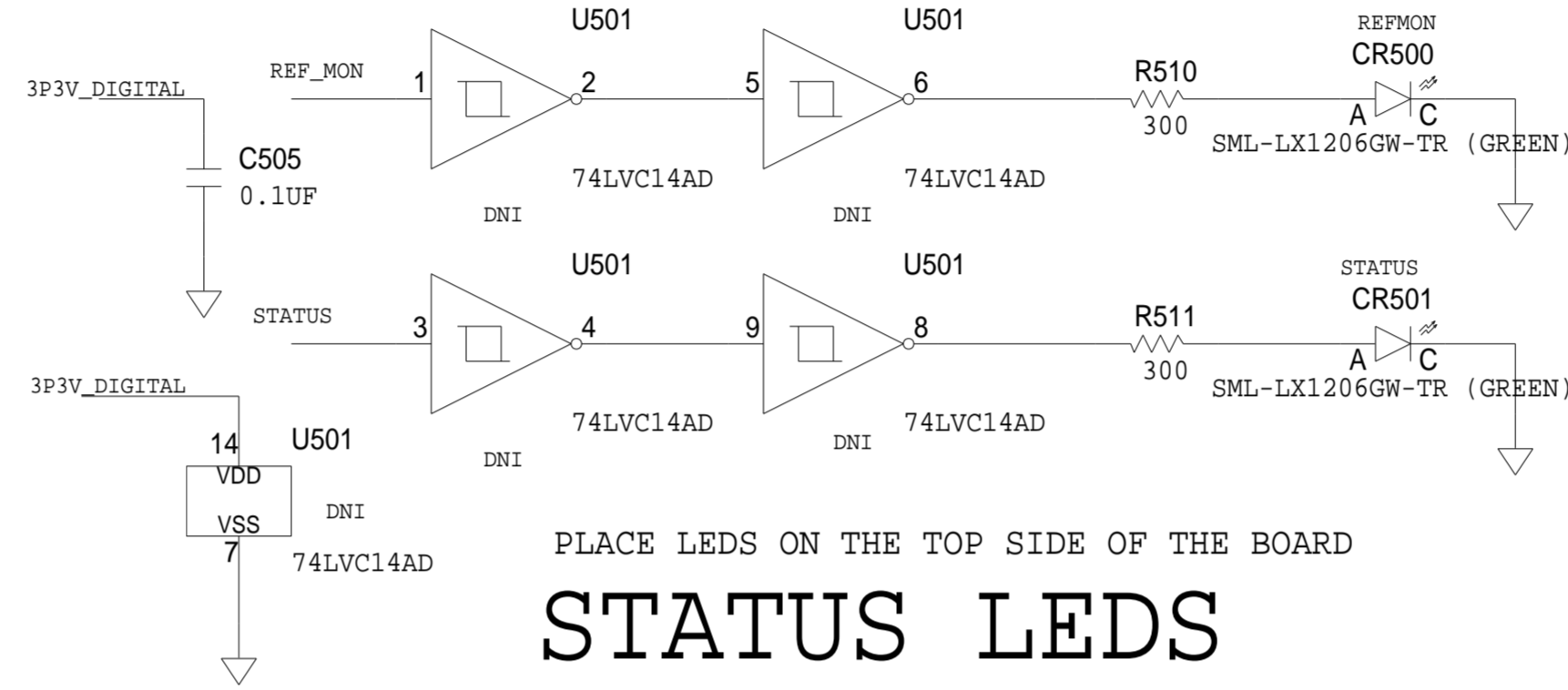


## REF CLK

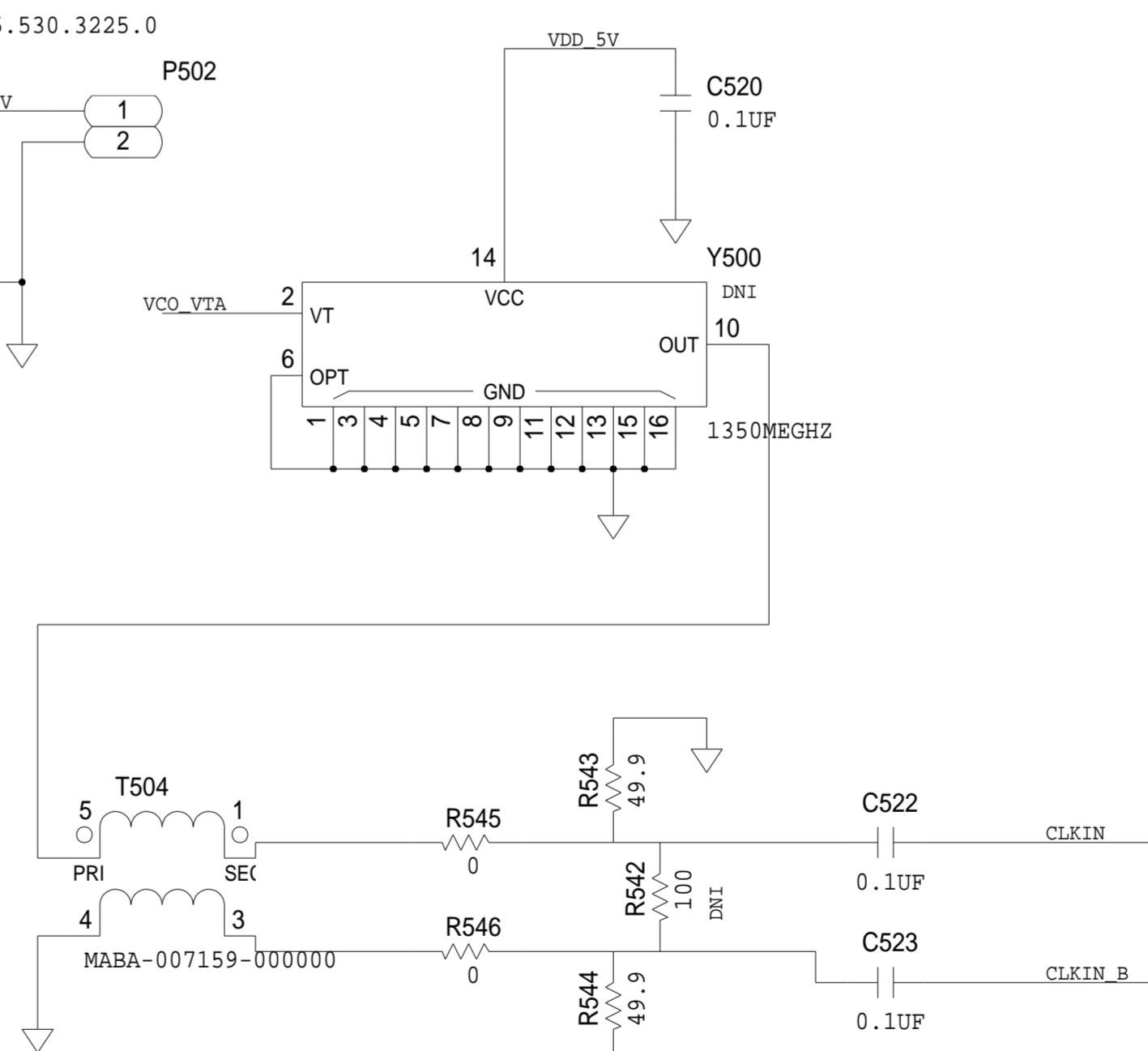


## STATUS LEDS

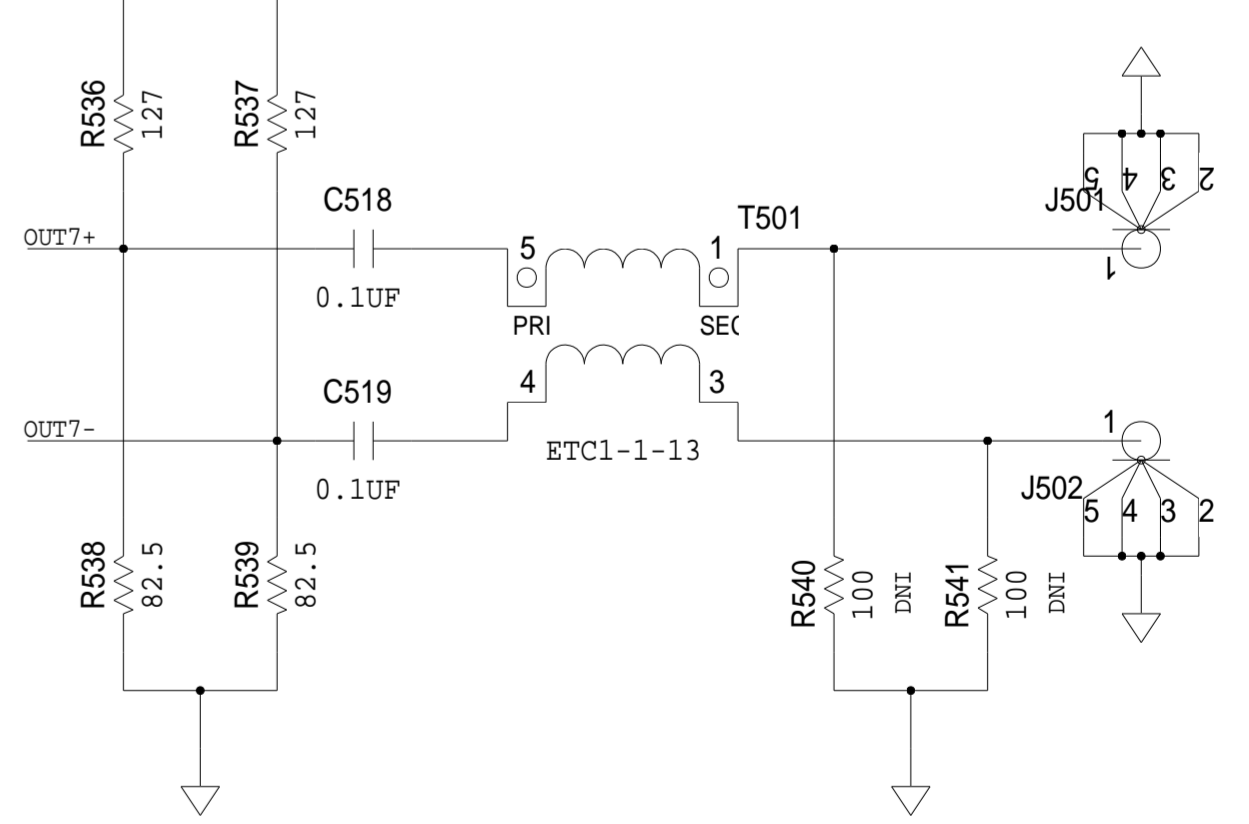
PLACE LEDS ON THE TOP SIDE OF THE BOARD



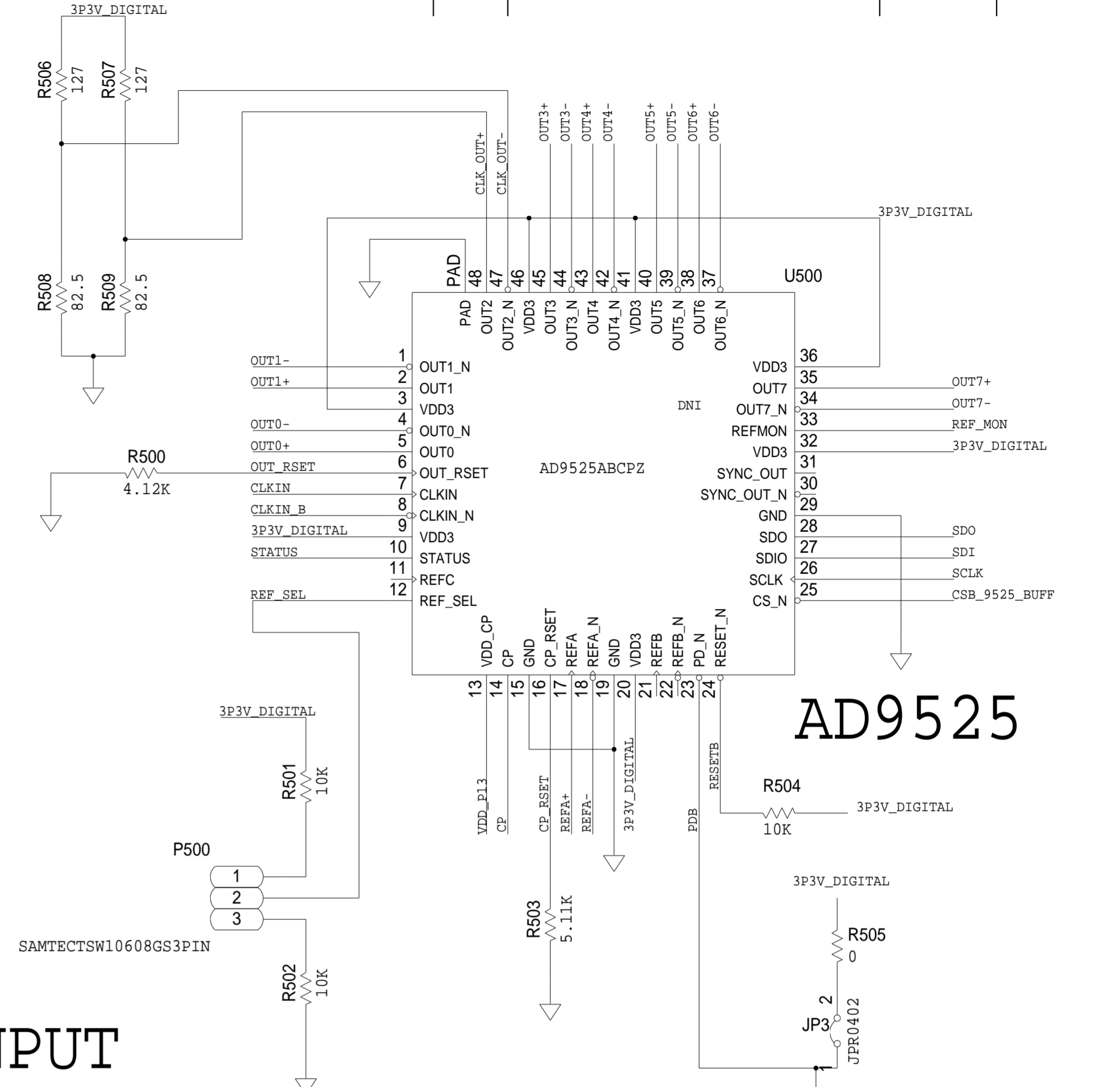
## VCO/CLK INPUT



## ADDITIONAL CLOCK OUTPUT

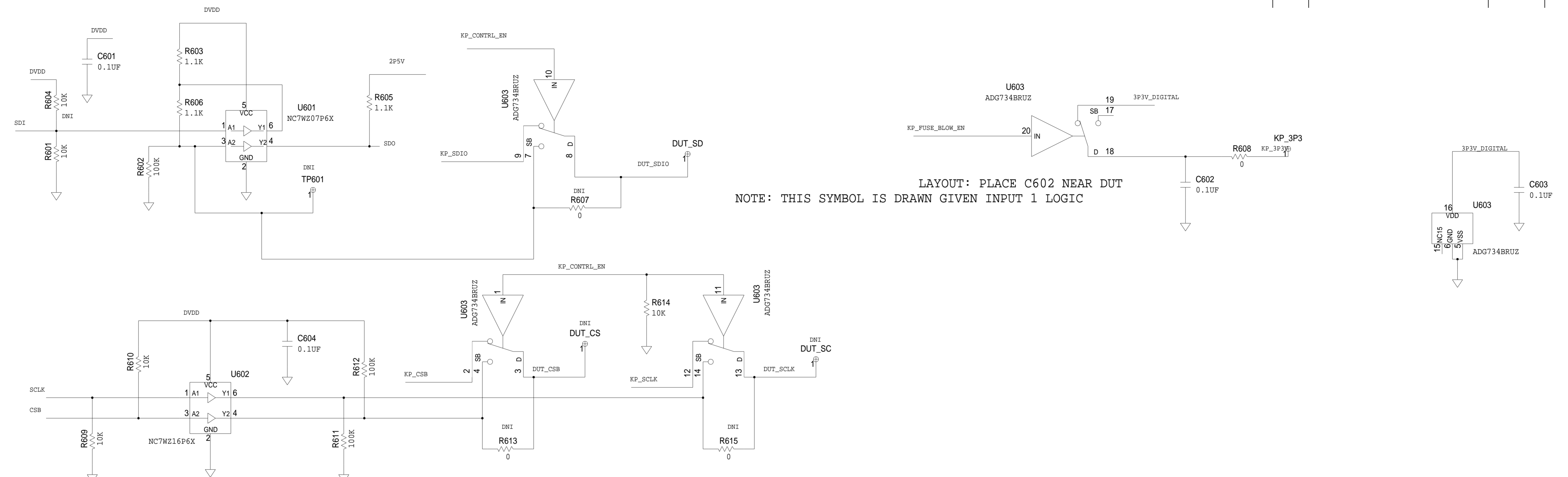


## AD9525



	<b>SCHMATIC</b>		
	HW TYPE : Characterization Board Product(s) : AD9683-250, AD9683-170, AD6677-250 P-SPEC : N/A		
DESIGN VIEW <DESIGN_VIEW>	DRAWING NO. 02_035115	REV A	
PTD ENGINEER A. BROWNE	SIZE 1:1	SCALE 1:1	SHEET 6 OF 7

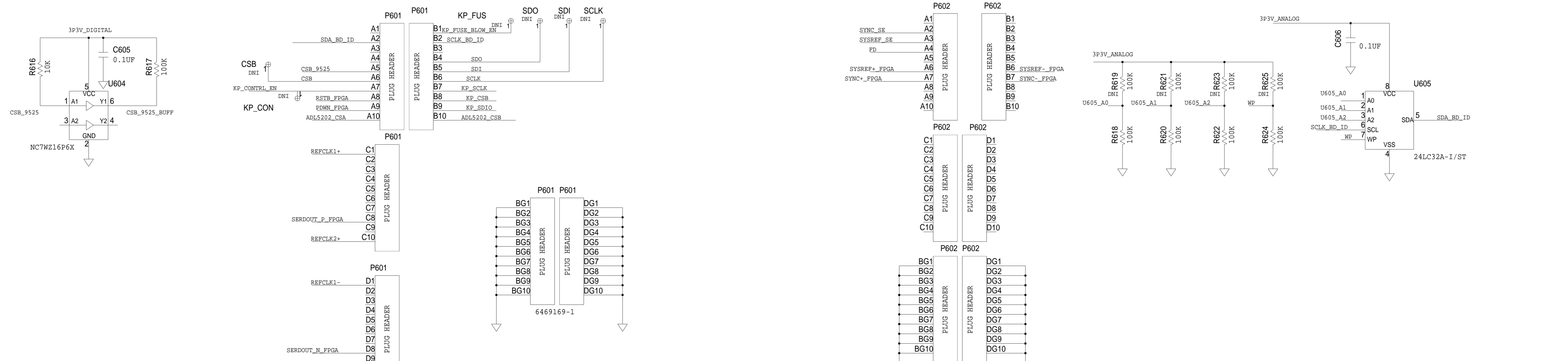
REVISIONS			
REV	DESCRIPTION	DATE	APPROVED



NOTE: THIS SYMBOL IS DRAWN GIVEN INPUT 1 LOGIC

LAYOUT: ROUTE ALL TRACES TO THE TYCO CONN ON TOP OF BOARD

### USING HADV6



SCHEMATIC			
	HW TYPE : Characterization Board	DESIGN VIEW	DRAWING NO. 02_035115
	Product(s) : AD9683-250, AD9683-170, AD6677-250	<DESIGN VIEW>	REV A
P-SPEC : N/A	PTD ENGINEER A. BROWNE	SCALE 1:1	SHEET 7 OF 7

THIS DRAWING IS THE PROPERTY OF ANALOG DEVICES INC. IT IS NOT TO BE REPRODUCED OR COPIED, IN WHOLE OR IN PART, OR USED IN ANY MANNER WITHOUT THE WRITTEN PERMISSION OF ANALOG DEVICES. THE EQUIPMENT DESIGN HEREIN MAY BE PROTECTED BY PATENTS OWNED OR CONTROLLED BY ANALOG DEVICES.