



Single Channel, 18-Bit, Serial Input, Voltage Output DAC Evaluation Board

EVAL-AD5680

FEATURES

- Full-featured evaluation board for AD5680
- On-board reference
- On-board ADC for voltage readback
- Various link options
- Direct hook up to USB port of PC
- PC software for control of DACs
- Surface-mount and through-hole area

GENERAL DESCRIPTION

This data sheet describes the evaluation board for the 18-bit AD5680 single channel DAC. The [AD5680](#) has a maximum output voltage span of 5 V derived from an external reference voltage of 5 V. The reference voltage for this evaluation board is derived from the [REF195](#), which has an output voltage of 5 V.

Full data on the AD5680 is found in the data sheets available from Analog Devices, Inc. and should be consulted in conjunction with this data sheet when using the evaluation board.

The evaluation board interfaces to the USB port of an IBM-compatible PC. The software available with the evaluation board allows the user to easily program the AD5680.

Rev. 0

Evaluation boards are only intended for device evaluation and not for production purposes. Evaluation boards are supplied "as is" and without warranties of any kind, express, implied, or statutory including, but not limited to, any implied warranty of merchantability or fitness for a particular purpose. No license is granted by implication or otherwise under any patents or other intellectual property by application or use of evaluation boards. Information furnished by Analog Devices is believed to be accurate and reliable. However, no responsibility is assumed by Analog Devices for its use, nor for any infringements of patents or other rights of third parties that may result from its use. Analog Devices reserves the right to change devices or specifications at any time without notice. Trademarks and registered trademarks are the property of their respective owners. Evaluation boards are not authorized to be used in life support devices or systems.

One Technology Way, P.O. Box 9106, Norwood, MA 02062-9106, U.S.A.
Tel: 781.329.4700 www.analog.com
Fax: 781.461.3113 ©2007 Analog Devices, Inc. All rights reserved.

TABLE OF CONTENTS

| | | | |
|---|---|----------------------------------|---|
| Features | 1 | Software Installation | 4 |
| General Description | 1 | Software Operation | 4 |
| Revision History | 2 | Evaluation Board Schematics..... | 5 |
| Operating the AD5680 Evaluation Board | 3 | Ordering Information | 9 |
| Power Supplies | 3 | Component Listing | 9 |
| Filter | 3 | Ordering Guide | 9 |
| Link Options | 3 | ESD Caution..... | 9 |
| Evaluation Board Software | 4 | | |

REVISION HISTORY

11/07—Revision 0: Initial Version

OPERATING THE AD5680 EVALUATION BOARD

POWER SUPPLIES

The EVAL-AD5680 can be powered from the USB port. This is the default setup. It can also be powered by an external supply using the J6 and J7 power connectors

Both AGND and DGND inputs are provided on the board. The AGND and DGND planes are connected at one location close to the [AD5680](#). It is recommended not to connect AGND and DGND elsewhere in the system to avoid ground loop problems.

Each supply is decoupled to the relevant ground plane with 10 μ F and 0.1 μ F capacitors. Each device supply pin is also decoupled with a 10 μ F and 0.1 μ F capacitor pair to the relevant ground plane.

FILTER

The AD5680 is suitable for closed-loop low bandwidth applications. Ideally, the system bandwidth acts as a filter on the DAC output.

A resistor capacitor network can be used to model the filter and the system bandwidth. R2 and C1 are available for this RC filter and have been left unpopulated for user flexibility.

Table 1. Link Options Setup for PC Controls

| Link No. | Option |
|----------|----------|
| LK1 | Inserted |
| LK2 | A |
| LK3 | Inserted |
| LK4 | B |
| LK5 | B |
| LK6 | B |
| LK9 | Inserted |

LINK OPTIONS

A number of link and switch options on the evaluation board should be set for the required operating setup before using the board. The functions of these link options are described in detail in Table 2. The default setup is for control by the PC via the USB port. The default link options are listed in Table 1.

Table 2. Link Options

| Link No. | Function |
|----------|---|
| LK1 | This link connects the V_{FB} pin to V_{OUT} . |
| LK2 | This link selects whether the AD5680 evaluation board is controlled by the PC via the USB port or by an external source via the SMB connectors; J1, J3, J4. Position A: the evaluation board is controlled by the PC via the USB port. Position B: the evaluation board is controlled by an external source via the SMB connectors; J1, J3, J4. |
| LK3 | This link connects external resistors and capacitor loads to the V_{OUT} pin of the AD5680. See the Filter section for more details. |
| LK4 | This link selects the reference source. Position A: allows use of an alternative reference source. Position B: the on-board REF195 5 V reference is the reference source |
| LK5 | This link selects the AVDD power supply source for the analog circuitry. Position A: J6 is the AVDD analog circuitry power supply source. Position B: the USB 5 V power supply is the AVDD analog circuitry power supply source. |
| LK6 | This link selects the DVDD power supply source for the digital circuitry. Position A: J7 is the DVDD digital circuitry power supply source. Position B: the USB 5 V power supply source is the digital circuitry power supply source. |
| LK9 | This link connects the V_{OUT} pin of the AD5680 to the V_{IN} pin of the AD7476 ADC so that the DAC output value can be monitored using the on-board ADC. |

EVALUATION BOARD SOFTWARE

SOFTWARE INSTALLATION

The AD5680EB evaluation kit includes self-installing software on a CD-ROM. The software is compatible with Windows® 2000/Windows XP.

If the setup file does not run automatically when you insert the CD, run the **setup.exe** file directly from the CD.

Install the software before connecting the evaluation board to the PC's USB port to ensure that the evaluation board is correctly recognized when connected to the PC.

1. After the installation from the CD-ROM has completed, connect the AD5680 evaluation board to the PC's USB port using the cable supplied.
2. When the software detects the evaluation board, proceed through any dialog boxes that appear to finalize the installation.

SOFTWARE OPERATION

From the **Analog Devices** menu, click **Start > All Programs > Analog Devices > AD5680 > AD5680 Evaluation Software**.

For older PCs, click **Start > Programs > Analog Devices > AD5680 > AD5680 Evaluation Software**.

The main window opens, as shown in Figure 1.

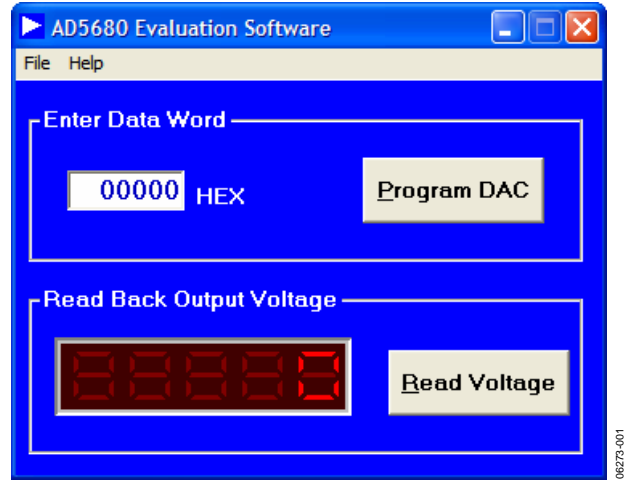


Figure 1. Main Window

To program the DAC, under **Enter Data Word** type in the data word in hexadecimal format, and click **Program DAC**.

To read back the output voltage using the on-board ADC, click **Read Voltage**.

The DAC output voltage for the AD5680 is given by

$$V_{OUT} = V_{REF} \times \left(\frac{D}{262144} \right)$$

EVALUATION BOARD SCHEMATICS

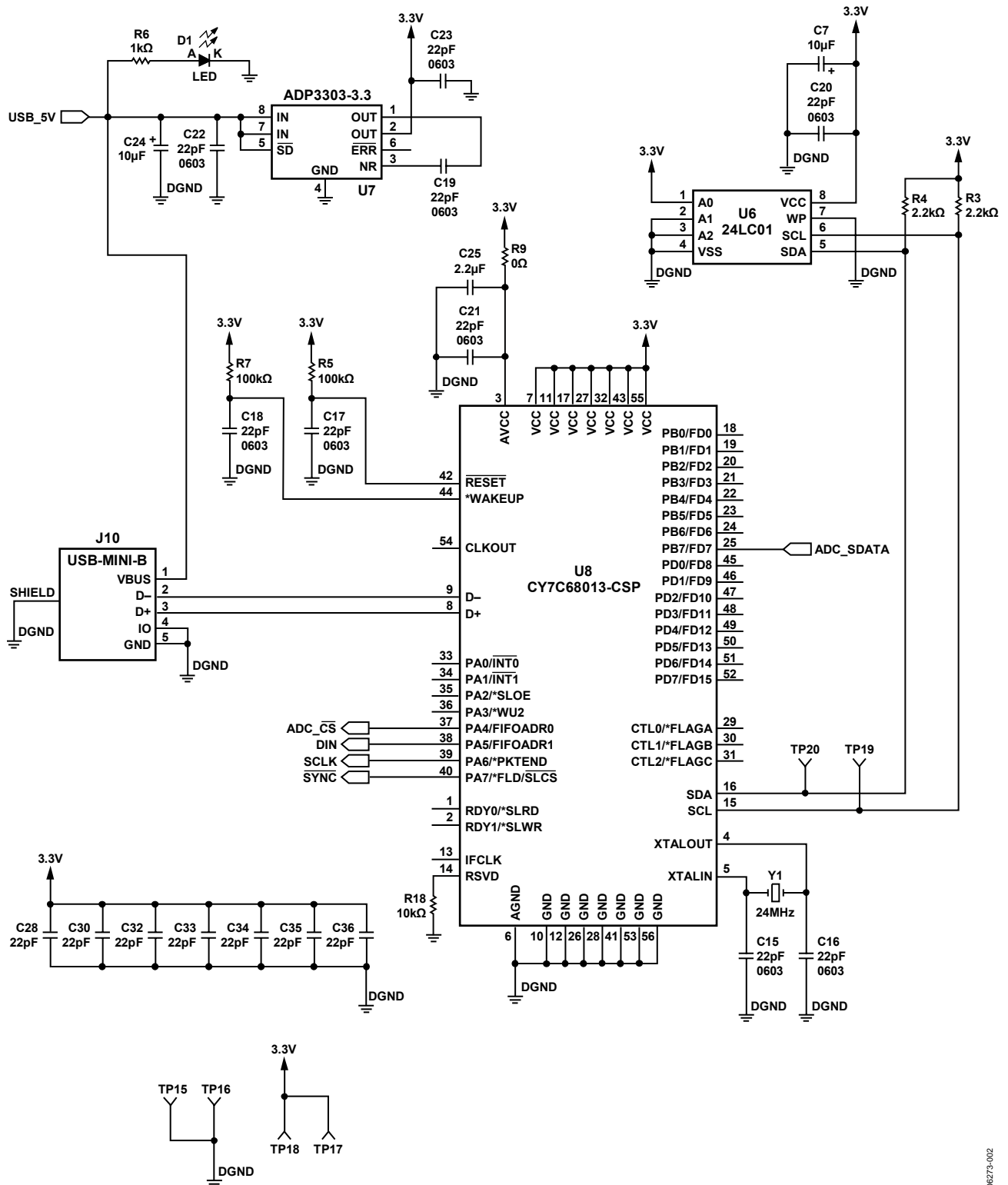


Figure 2. Schematic of Controller Circuitry

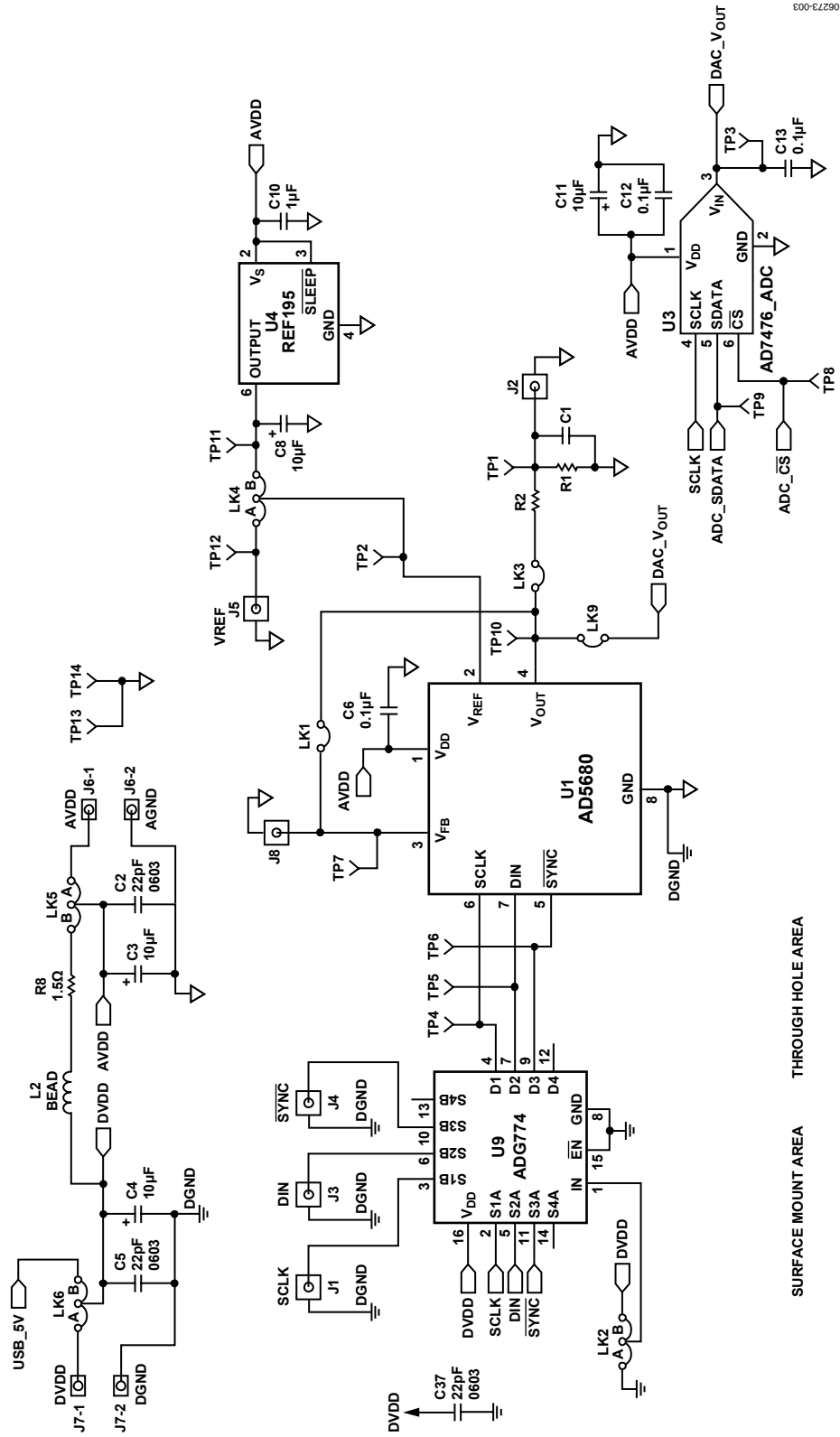
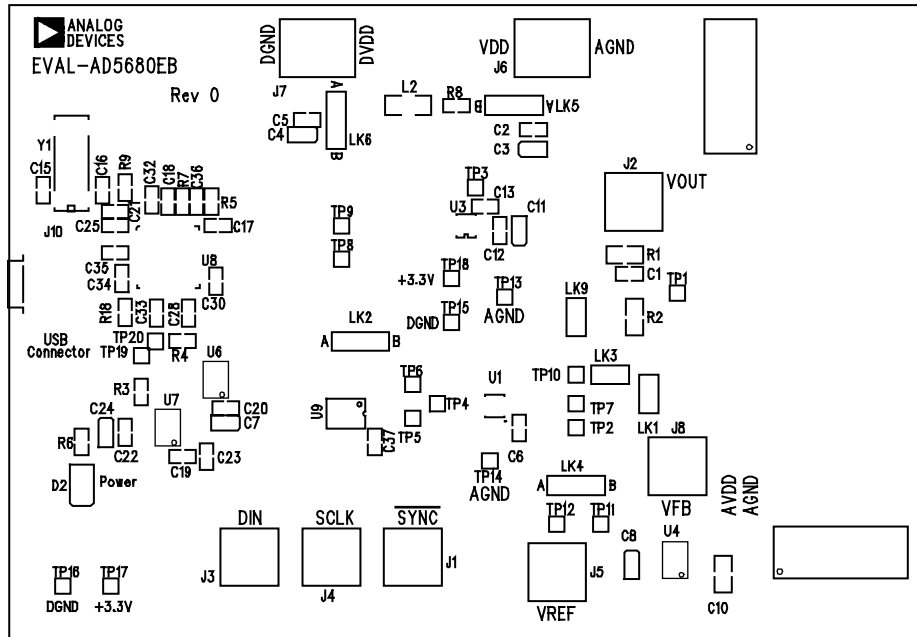
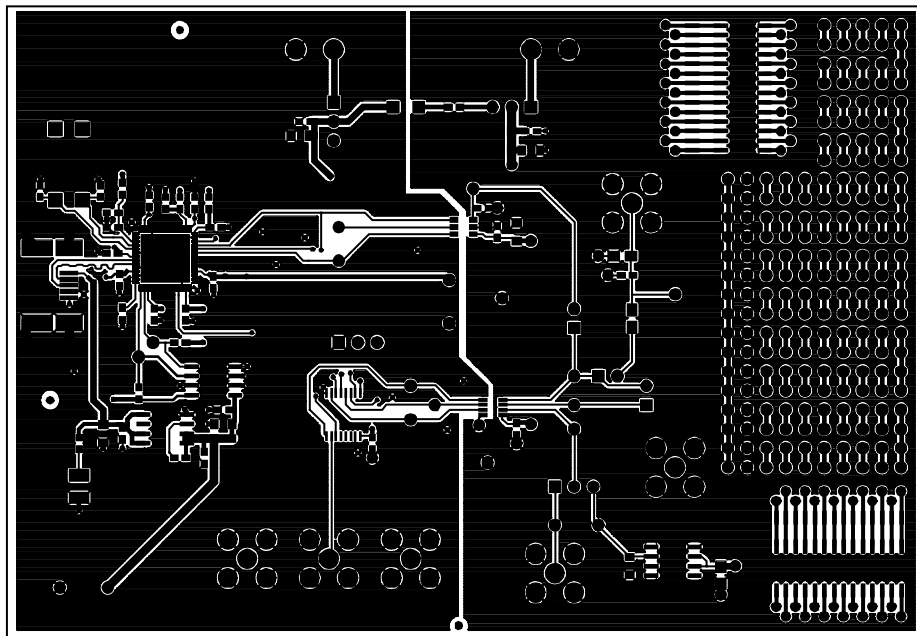


Figure 3. Schematic of AD5680 Circuitry



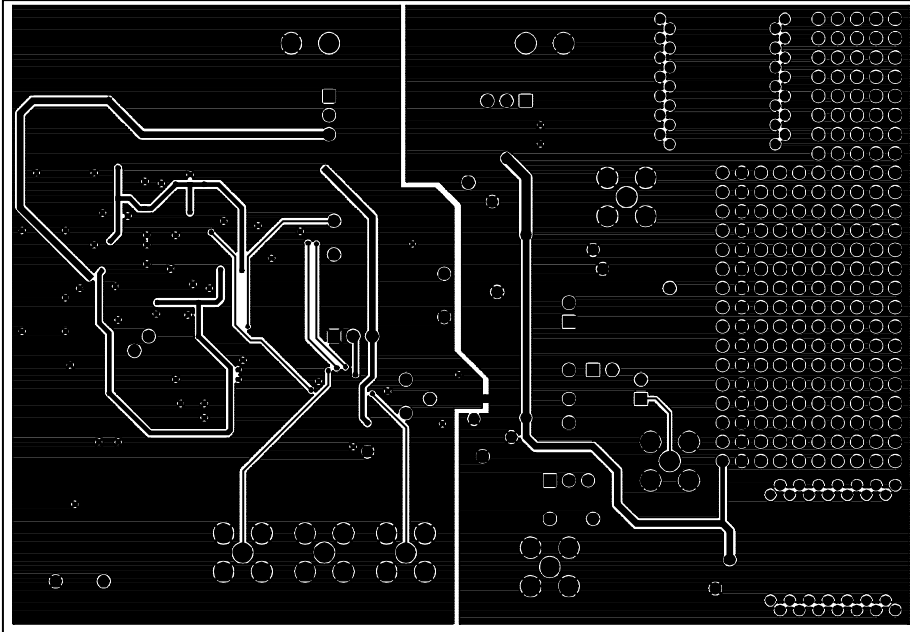
06273-004

Figure 4. Component Placement Drawing



06273-005

Figure 5. Component Side PCB Drawing



08273-006

Figure 6. Solder Side PCB Drawing

ORDERING INFORMATION

COMPONENT LISTING

Table 3. Component Listing

| Qty | Reference Designator | Description | Supplier/Part Number ¹ |
|-----|--|-------------------------------------|-----------------------------------|
| 1 | U1 | AD5680BRJ-1 (8-lead SOT-23 package) | Analog Devices, Inc. |
| 1 | U3 | AD7476ART (ADC) | Analog Devices, Inc. |
| 1 | U4 | REF195 | Analog Devices, Inc. |
| 1 | U6 | 24LC01 | FEC 9758070 |
| 1 | U7 | ADP3303AR-3.3 | Analog Devices, Inc. |
| 1 | U8 | CY7C68013-CSP | CY7C68013-56LFC |
| 1 | U9 | ADG774BRQ | Analog Devices, Inc. |
| 1 | Y1 | 24 MHz crystal | FEC 950-9658 |
| 1 | C1 | C1 (not inserted) | |
| 6 | C3, C4, C7, C8, C11, C24 | 10 µF tantalum cap (TAJ-A package) | FEC 197-130 |
| 4 | C6, C12, C13 | 0.1 µF multilayer ceramic cap | FEC 1216538 |
| 1 | C10 | 1 µF (0805 package) | FEC 318-8899 |
| 19 | C2, C5, C15 to C23, C28, C30, C32 to C37 | 22 pF (0603 package) | FEC 722-005 |
| 1 | C25 | 2.2 µF (0603 package) | Digikey 490-1552-1-ND |
| 1 | D1 | LED | FEC 5790852 |
| 1 | J10 | USB-Mini-B | FEC 476-8309 |
| 6 | J1 to J5, J8 | Gold 50 Ω SMB jack | FEC 1206013 |
| 1 | L2 | Ferrite Bead | FEC 9526862 |
| 2 | J6, J7 | Power connectors | FEC 151-789 |
| 3 | LK1, LK3, LK9 | Header (2 × 1 pin) | FEC 1022247 & 150-411 |
| 4 | LK2, LK4 to LK6 | Header (3 × 1 pin) | FEC 1022249 & 150-411 |
| 1 | R1 | R1 (not inserted) | |
| 1 | R2 | R2 (not inserted) | |
| 1 | R9 | 0 Ω (0805 package) | FEC 9331662 |
| 2 | R3, R4 | 2.2 kΩ (0603 package) | FEC 9330810 |
| 2 | R5, R7 | 100 kΩ (0603 package) | FEC 933-0402 |
| 1 | R6 | 1 kΩ (0603 package) | FEC 933-0380 |
| 1 | R8 | 1.5 Ω | FEC 9330640 |
| 1 | R18 | 10 kΩ (0603 package) | FEC 933-0399 |
| 19 | TP1 to TP20 | Testpoint | FEC 8731128 |

¹ FEC = Farnell Electronics Components.

ORDERING GUIDE

| Model | Package Description |
|----------------|-----------------------------|
| EVAL-AD5680EBZ | AD5680 Evaluation Board Kit |

ESD CAUTION



ESD (electrostatic discharge) sensitive device. Charged devices and circuit boards can discharge without detection. Although this product features patented or proprietary protection circuitry, damage may occur on devices subjected to high energy ESD. Therefore, proper ESD precautions should be taken to avoid performance degradation or loss of functionality.

NOTES

NOTES

EVAL-AD5680

NOTES